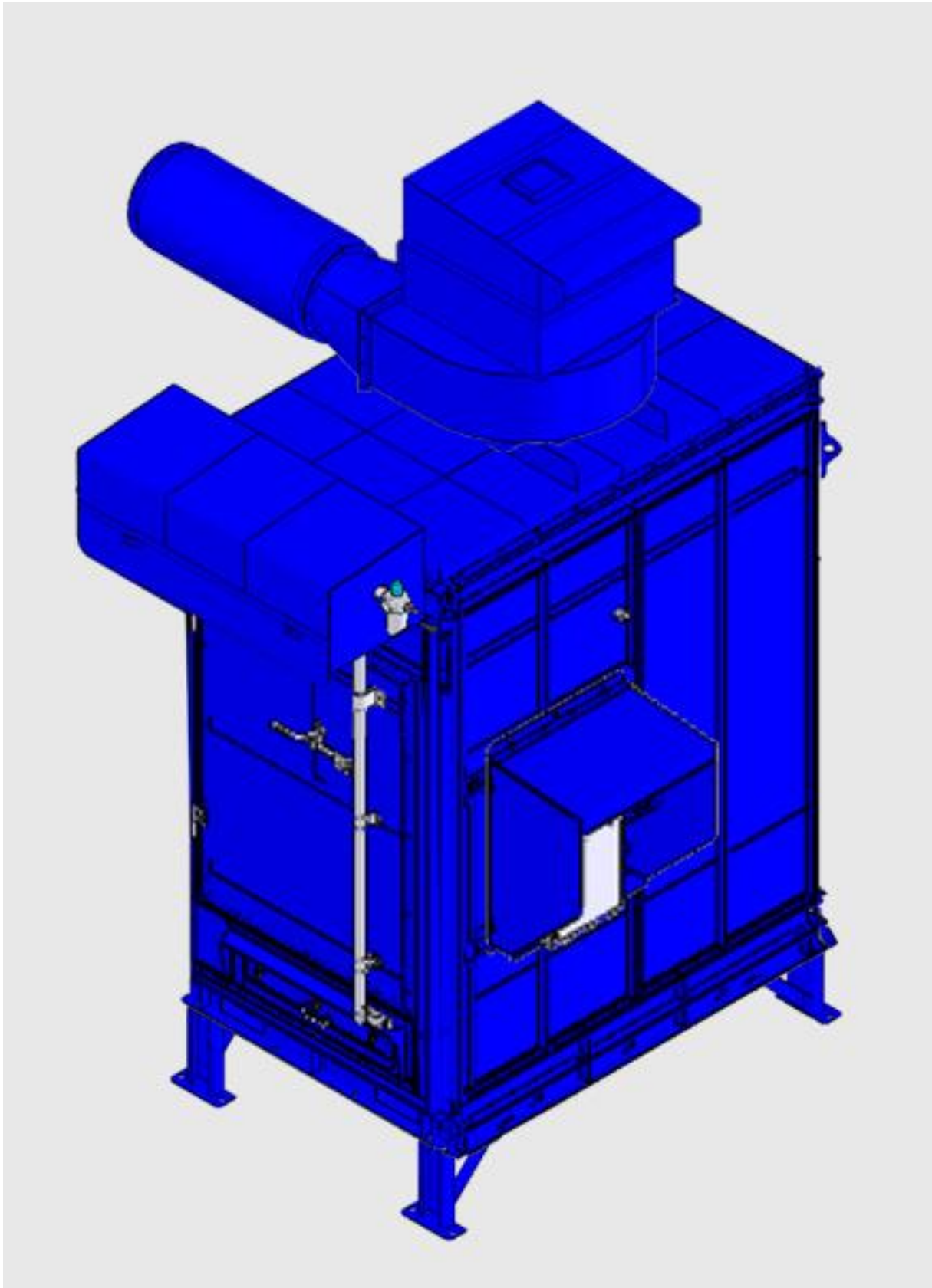
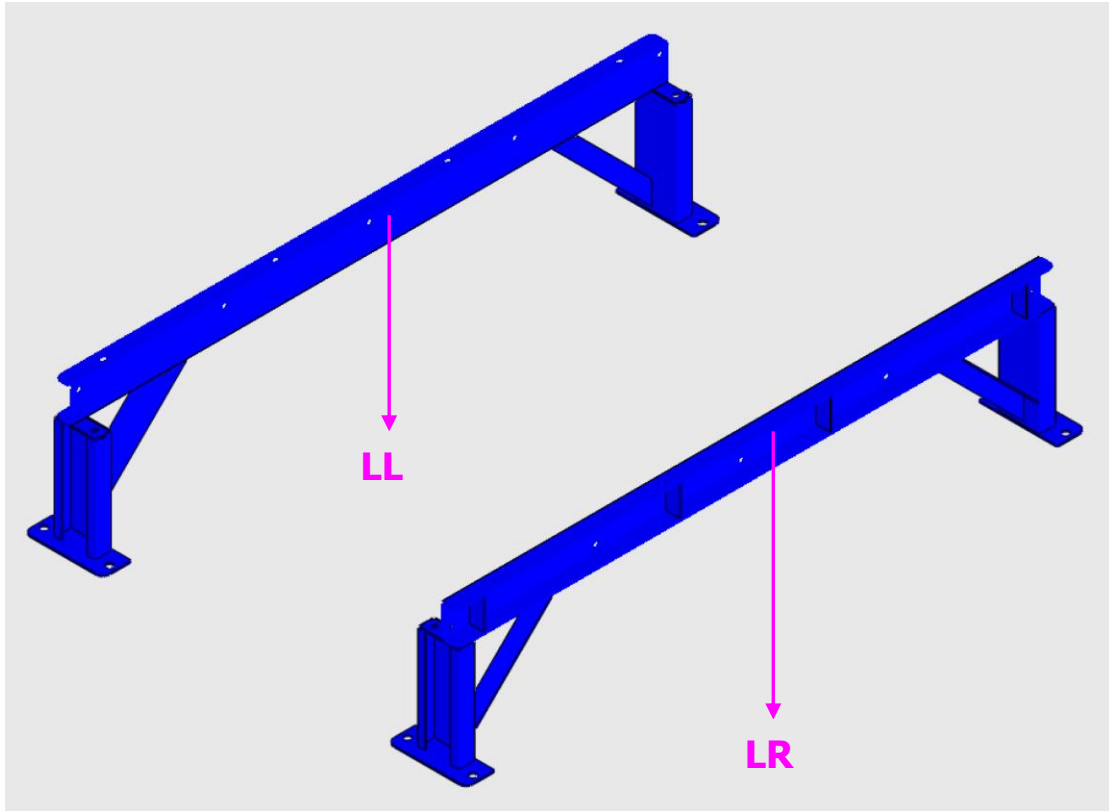


✦ Installations for the unit for SDC-10-8MDF.



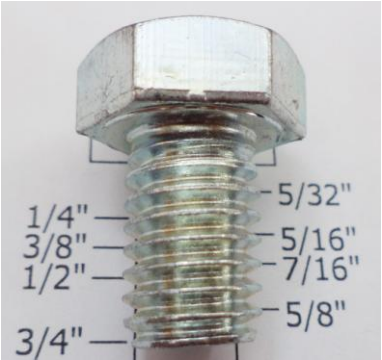


✦ Installations for the unit for SDC-10-8MDF.

- Take out the number: **LL** and **LR**
- Put **LL** and **LR** on the ground.



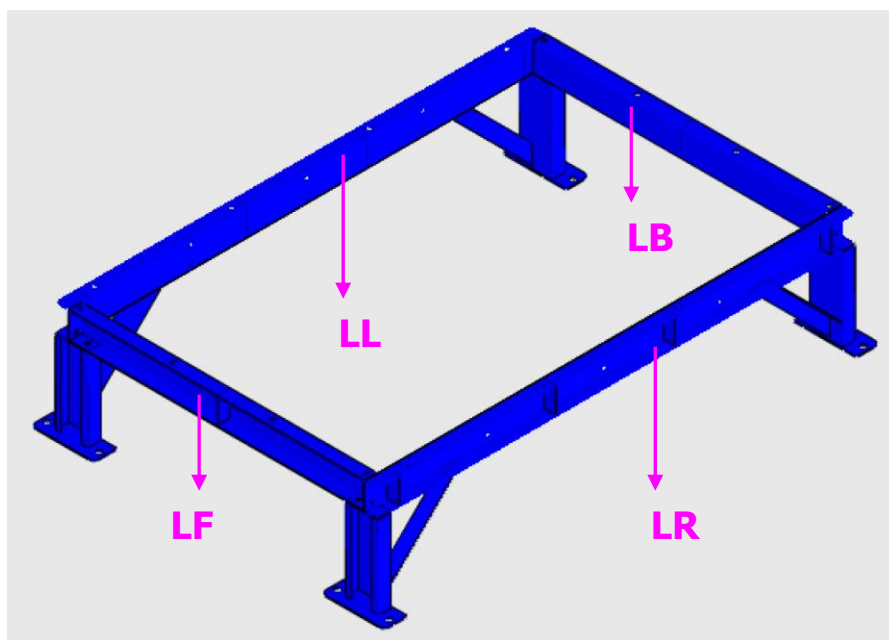
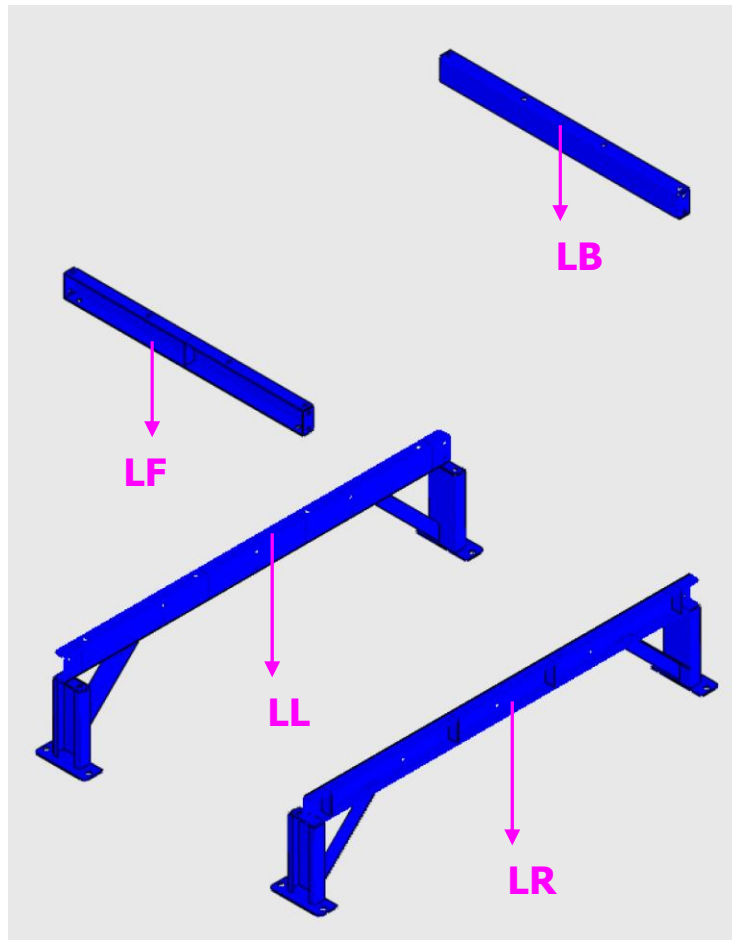
✦ Installations for the unit for SDC-10-8MDF.

- Take out the number: **LF** and **LB**.
- Fasten **LF** and **LB** to **LL** and **LR** with:

Hardware 7				
Part name	Description	Photo	Q'ty	Grainger Model #
Hex Screw	1/2" x 3/4"		12	1YU60
Flat Washer	1/2" x OD25 x 2T		24	*1JY35
Hex Nut	1/2"		12	2FE67

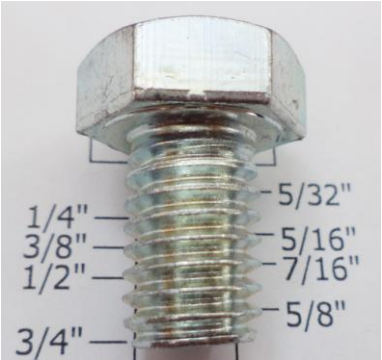


(* Hardware item at similar spec available locally.

✦ Installations for the unit for SDC-10-8MDF.

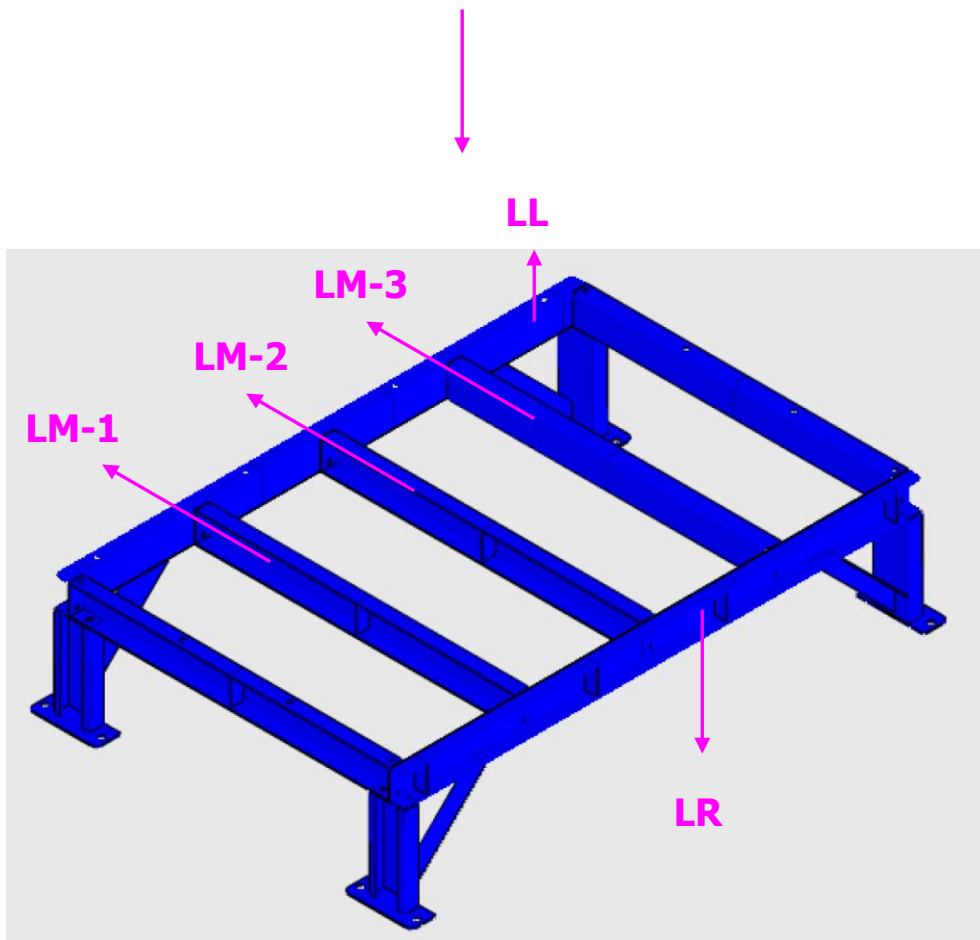
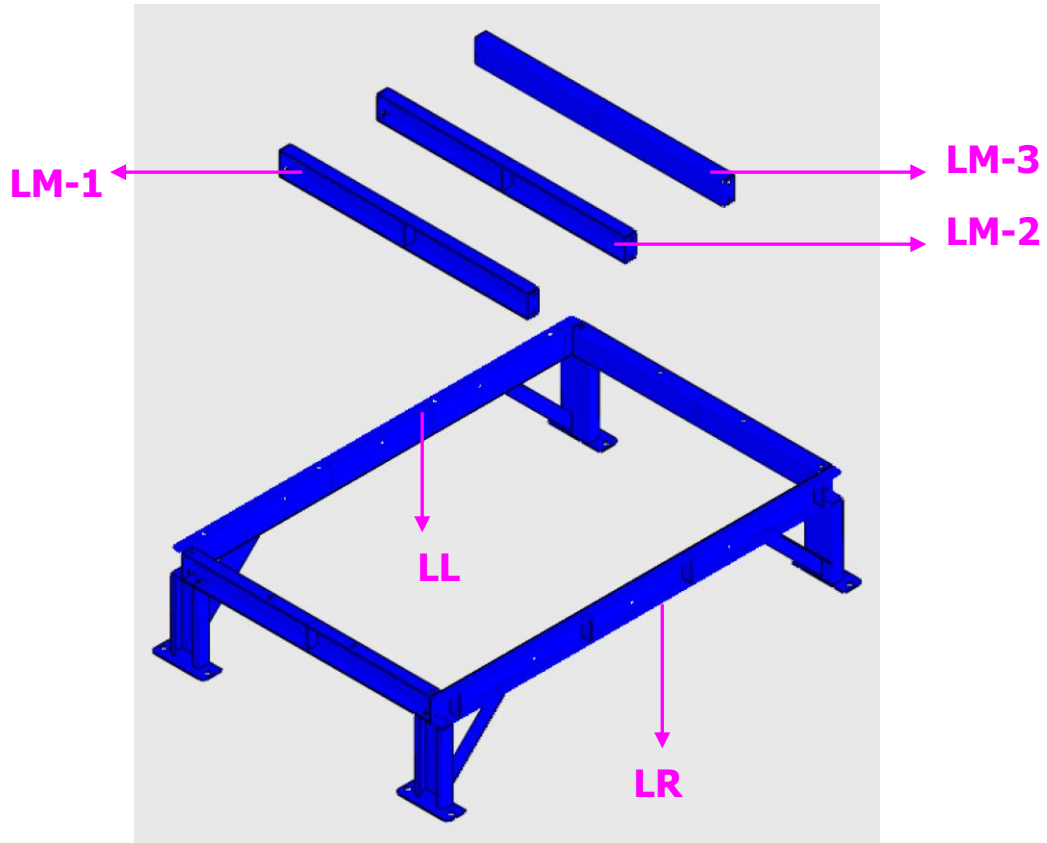


✚ Installations for the unit for SDC-10-8MDF.

- Take out the number: **LM-1**, **LM-2** and **LM-3**.
- Fasten **LM-1**, **LM-2** and **LM-3** to **LL** and **LR** with:

Hardware 7				
Part name	Description	Photo	Q'ty	Grainger Model #
Hex Screw	1/2" x 3/4"		12	1YU60
Flat Washer	1/2" x OD25 x 2T		24	*1JY35
Hex Nut	1/2"		12	2FE67

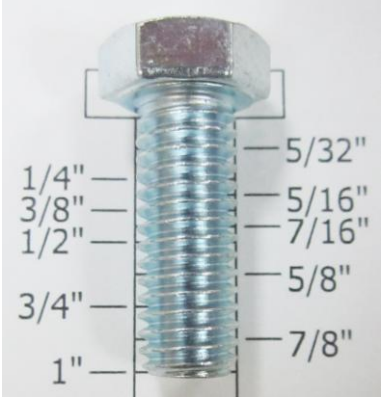


✦ Installations for the unit for SDC-10-8MDF.



✚ Installations for the unit for SDC-10-8MDF.

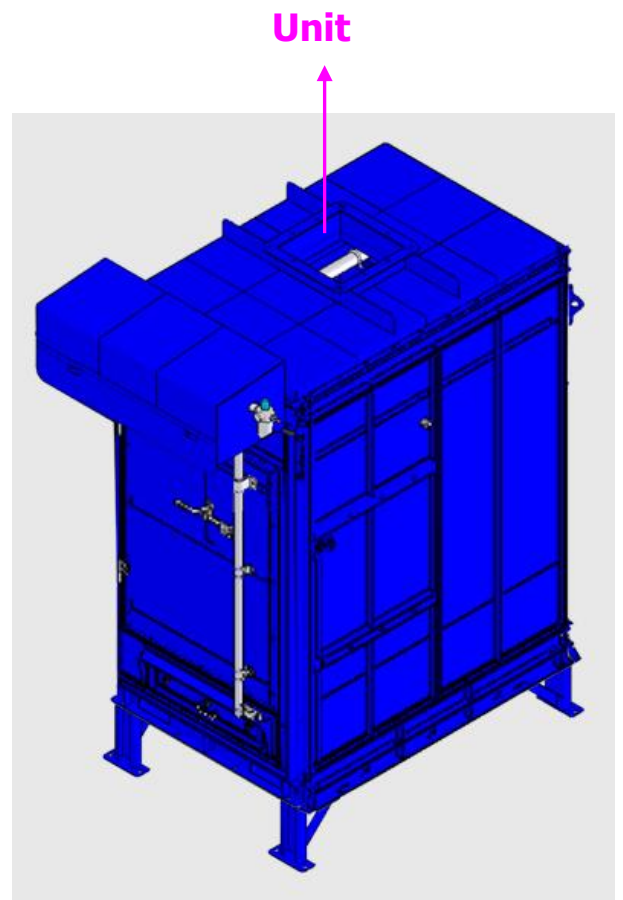
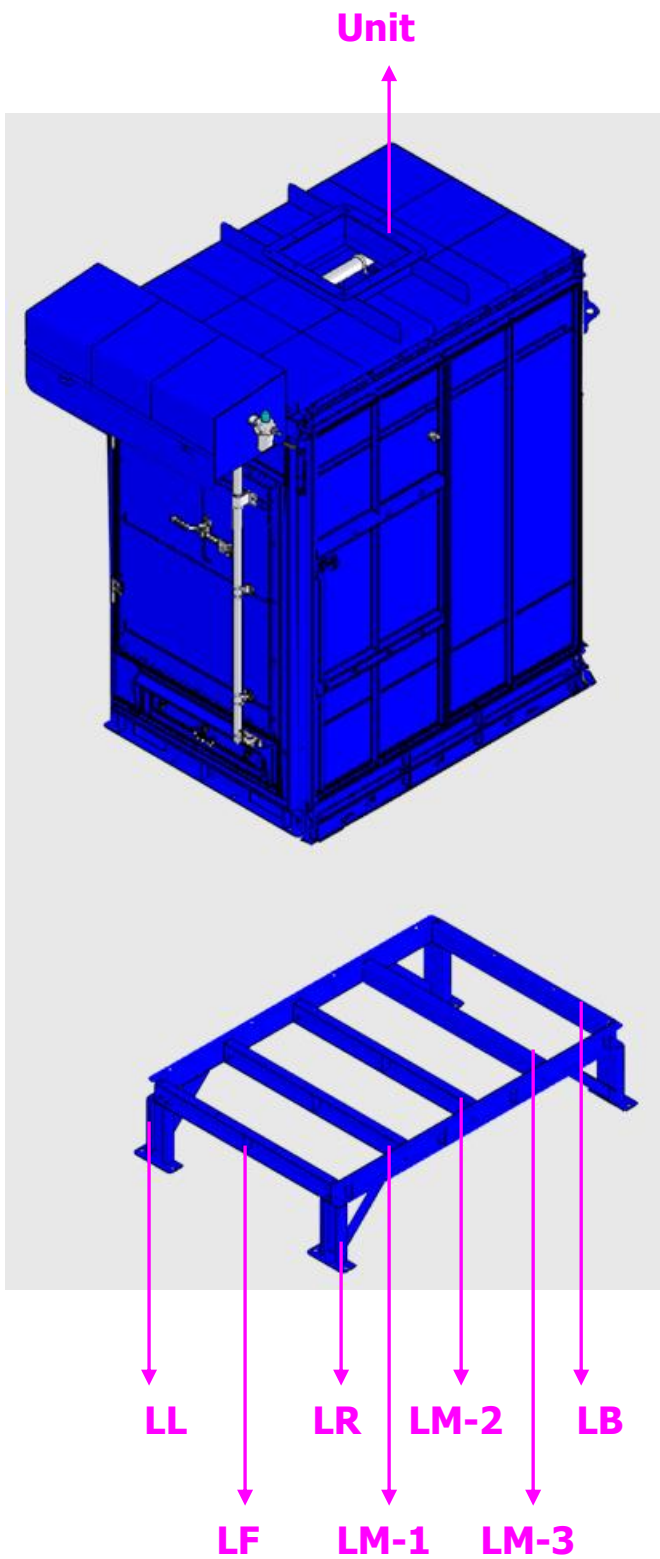
- Fasten **unit** to **LR, LL, LF, LB, LM-1,LM-2** and **LM-3**

with:

Hardware 8				
Part name	Description	Photo	Q'ty	Grainger Model #
Hex Screw	3/8" x 1"		20	1YU43
Flat Washer	3/8" x OD23 x 2T		40	*1JY33
Hex Nut	3/8"		20	2FE57

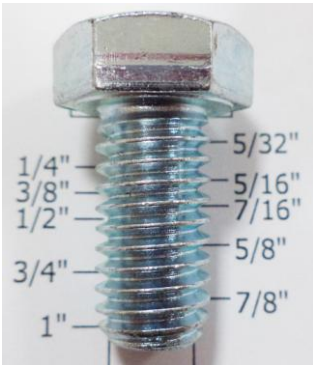



(* Hardware item at similar spec available locally.

✦ Installations for the unit for SDC-10-8MDF.



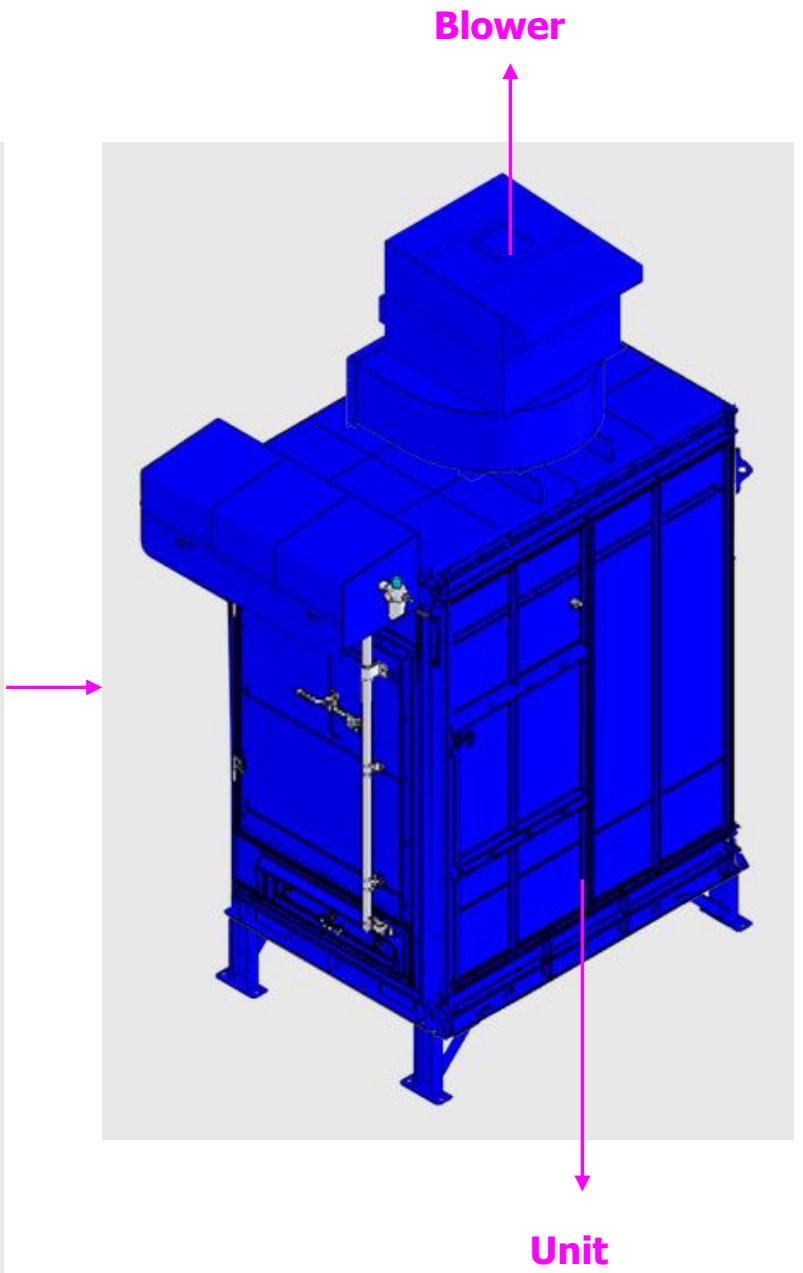
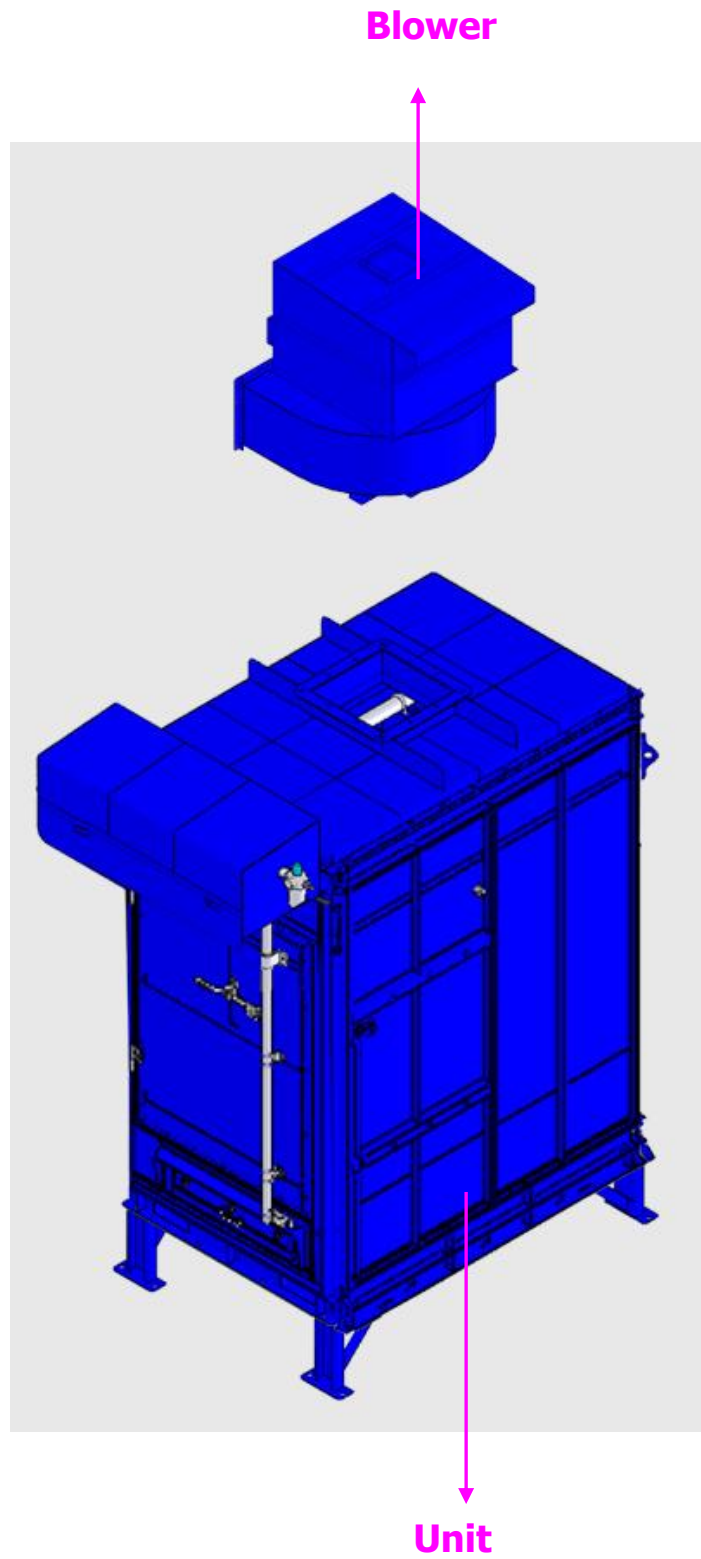
✚ Installations for the unit for SDC-10-8MDF.

- Assemble the **blower** local sourced to the base using:

Hardware 2				
Part name	Description	Photo	Q'ty	Grainger Model #
Hex Screw	1/2" x 1"		12	1YU61
Flat Washer	1/2" x OD34 x 2T		24	*1JY35
Split Lock Washer	1/2"		12	6FYC3
Hex Nut	1/2"		12	2FE67

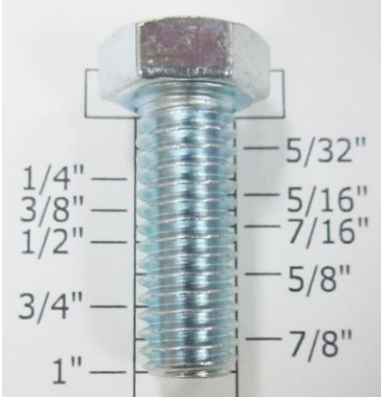


(* Hardware item at similar spec available locally.

✦ Installations for the unit for SDC-10-8MDF.



✚ Installations for the unit for SDC-10-8MDF.

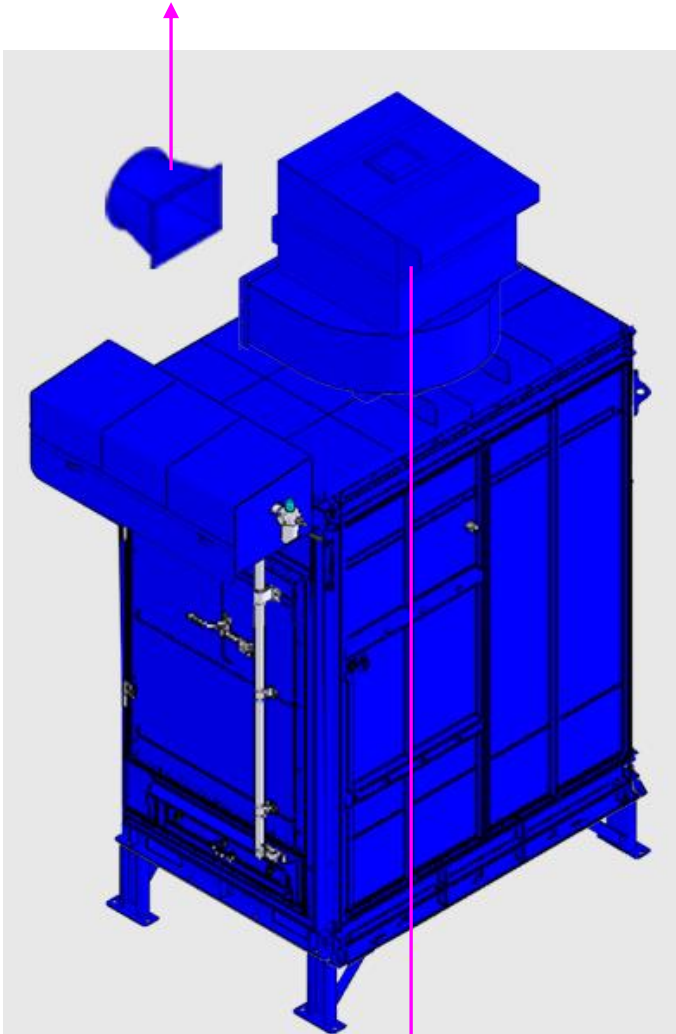
- Take out **blower square to round**
- Fasten **blower square to round** to **blower** with:

Hardware 6				
Part name	Description	Photo	Q'ty	Grainger Model #
Hex Screw	3/8" x 1"		16	1YU43
Flat Washer	3/8" x OD23 x 2T		32	*1JY33
Hex Nut	3/8"		16	2FE57

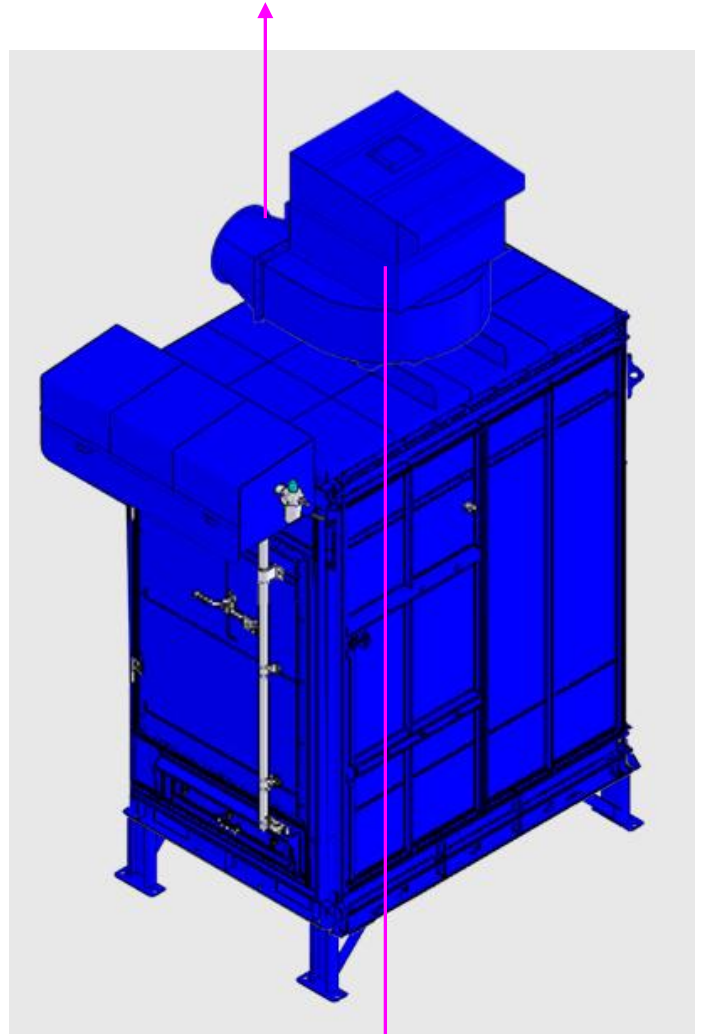
(* Hardware item at similar spec available locally.

✦ Installations for the unit for SDC-10-8MDF.

blower square to round



blower square to round

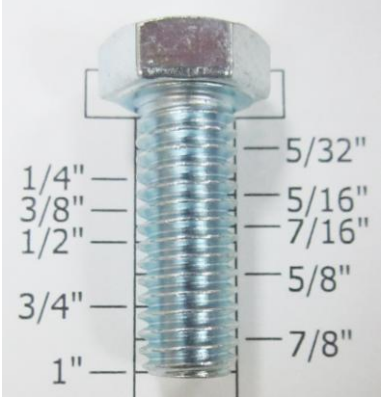




blower

blower

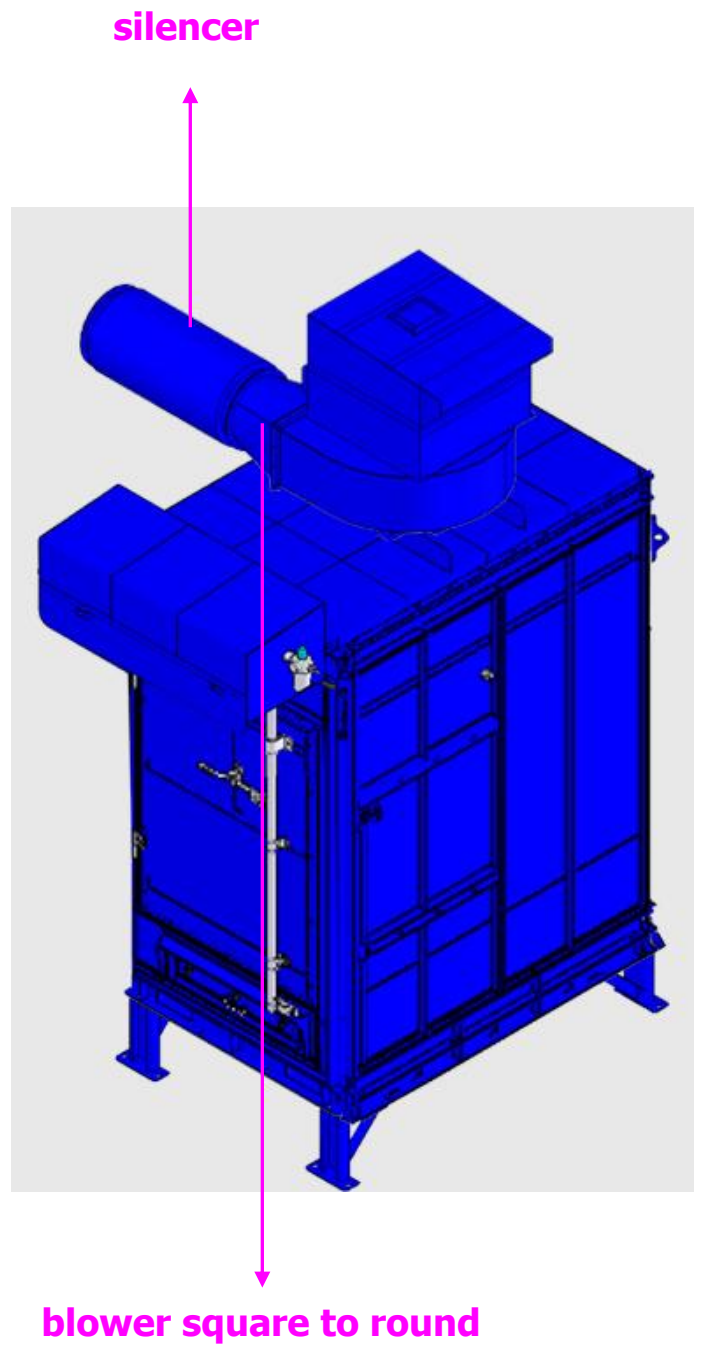
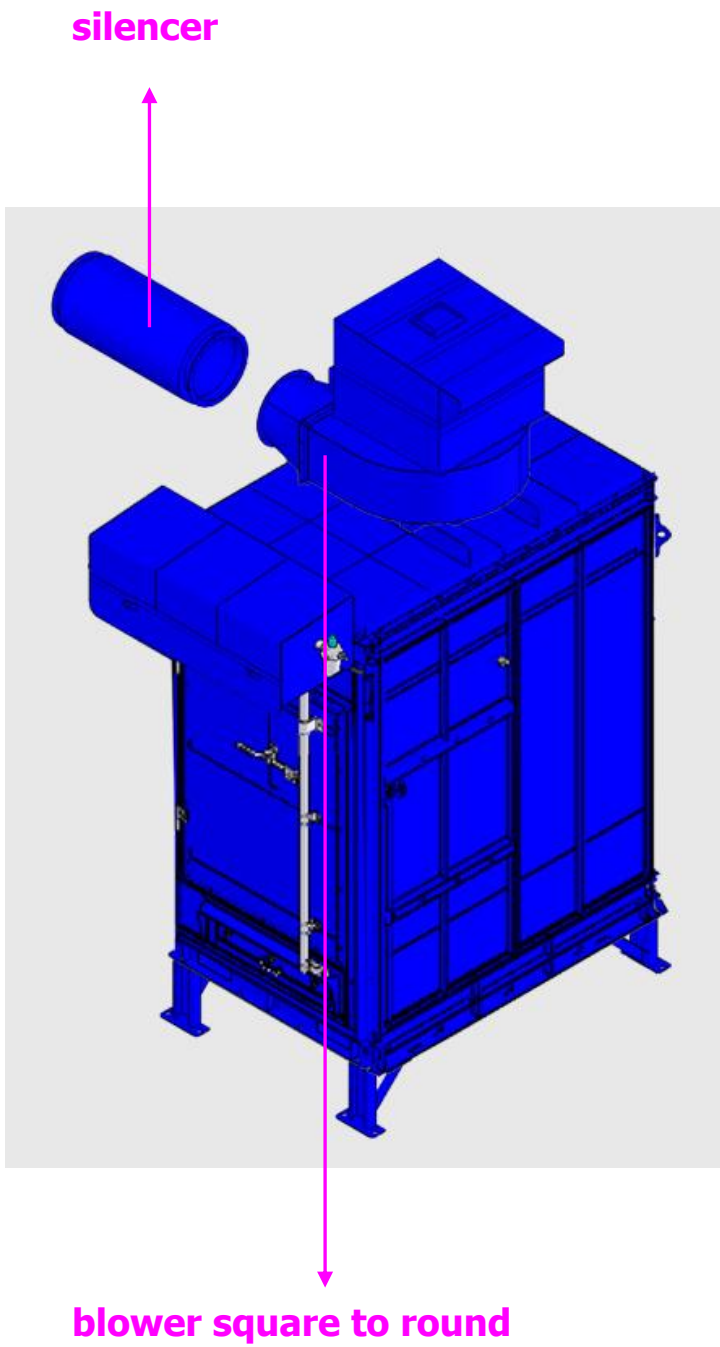
✚ Installations for the unit for SDC-10-8MDF.

- Take out **silencer**
- Fasten **silencer** to **blower square to round** with:

Hardware 5				
Part name	Description	Photo	Q'ty	Grainger Model #
Hex Screw	3/8" x 1"		12	1YU43
Flat Washer	3/8" x OD23 x 2T		24	*1JY33
Hex Nut	3/8"		12	2FE57

(* Hardware item at similar spec available locally.

✚ Installations for the unit for SDC-10-8MDF.



✚ Installations for the unit for SDC-10-8MDF.

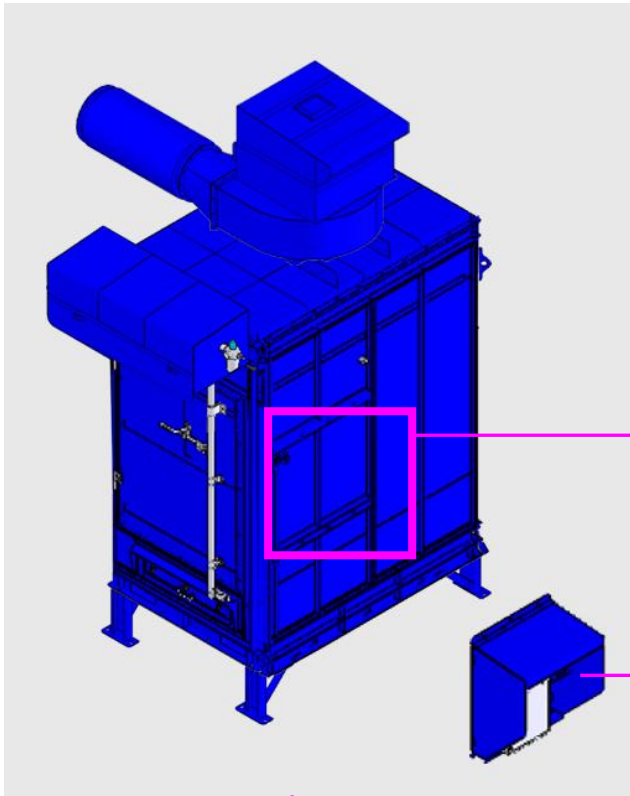
- Take out **Pulse control panel**.
- Assemble **Pulse control panel** local sourced to the base

using:

Hardware 3				
Part name	Description	Photo	Q'ty	Grainger Model #
Hex Screw	3/8" x 3/4"		6	1YU42
Flat Washer	3/8" x OD23 x 2T		12	*1JY33
Hex Nut	3/8"		6	2FE57

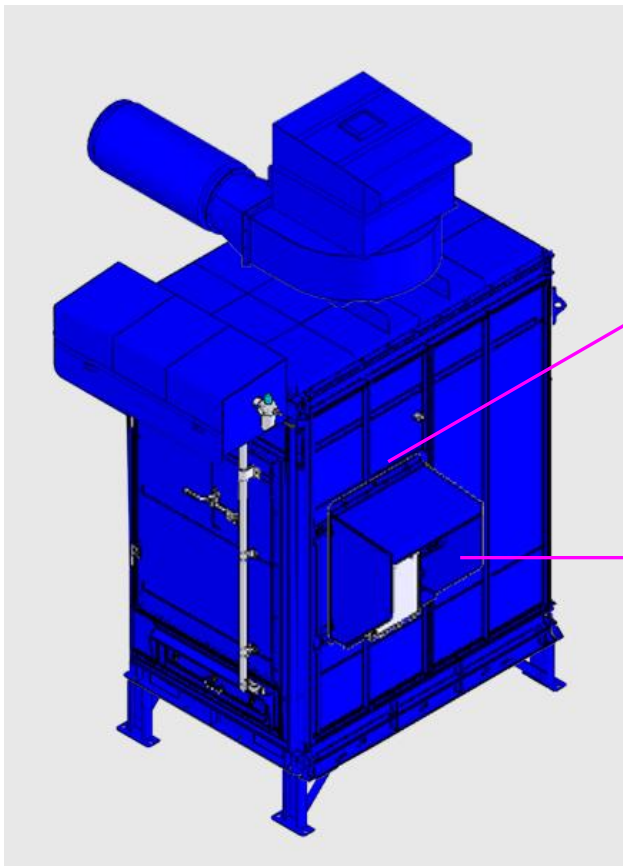
(* Hardware item at similar spec available locally.

✦ Installations for the unit for SDC-10-8MDF.



The base of pulse control box

Pulse control panel




The base of pulse control box

Pulse control panel

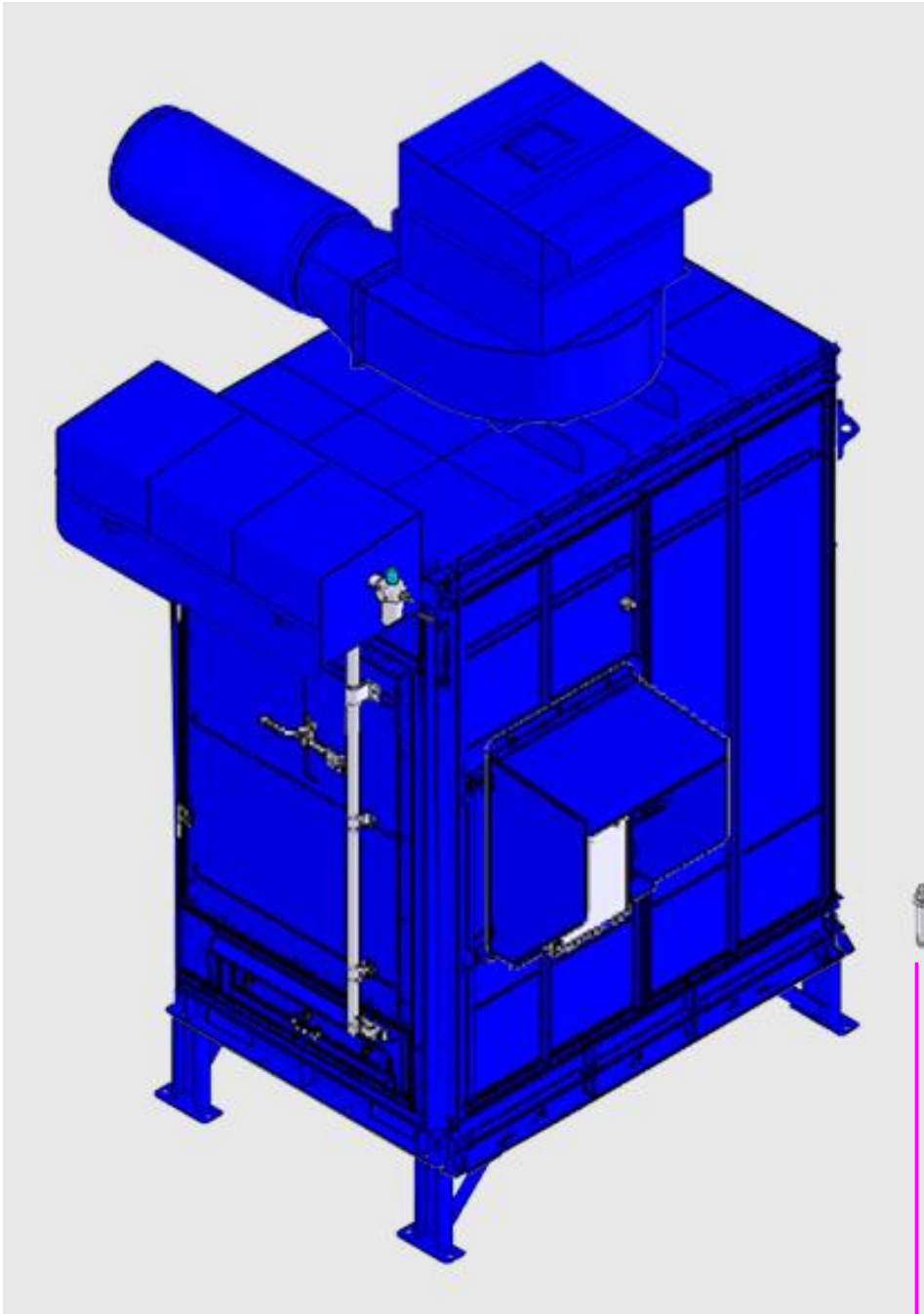
✚ Installations for the unit for SDC-10-8MDF.

- Fasten **Sleeve Anchor** for legs to field bolted if needed.

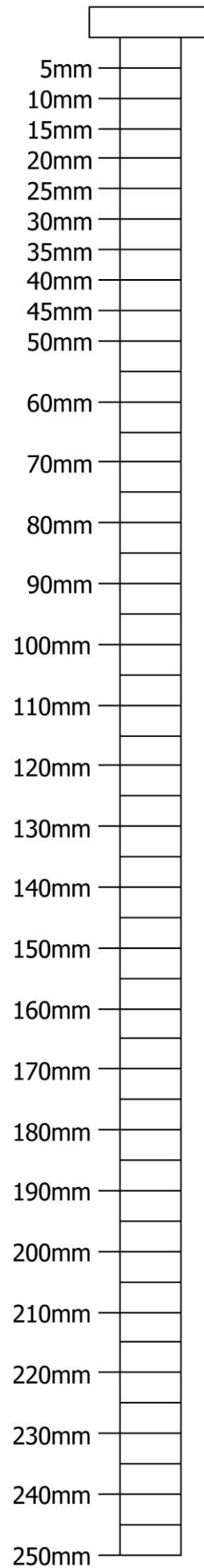
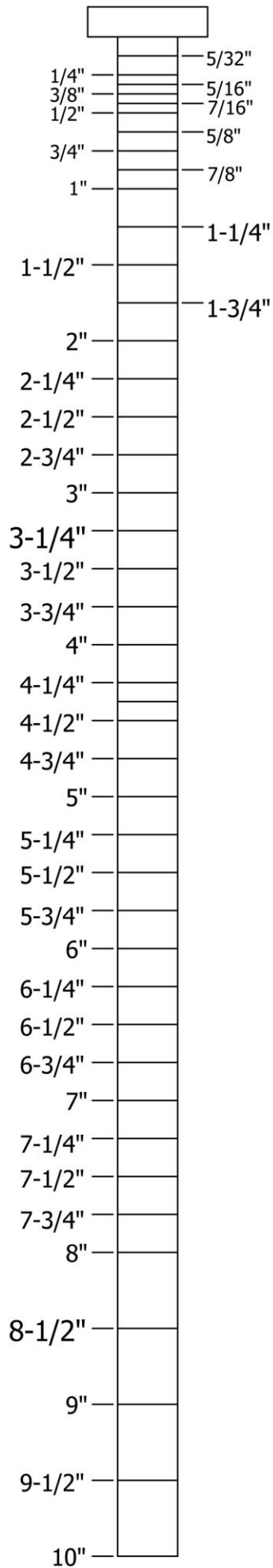
Assembly completed.

Hardware 1				
Part name	Description	Photos	Q'ty	Grainger Model #
Sleeve Anchor	3/4" x 4"		4	2G524

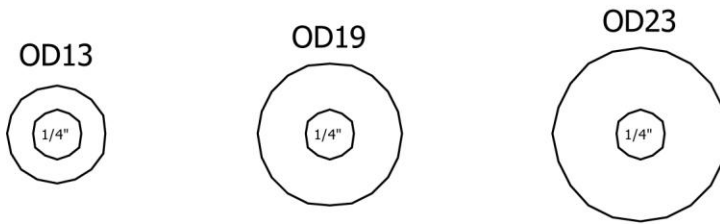
✦ **Installations for the unit for SDC-10-8MDF.**



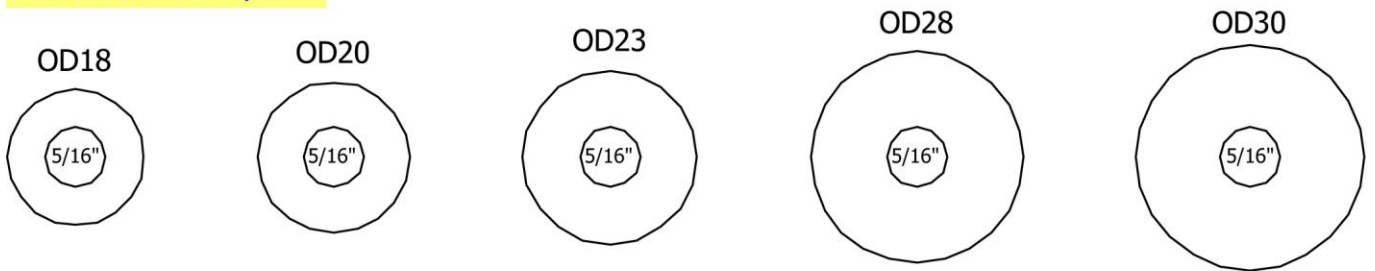
Sleeve Anchor



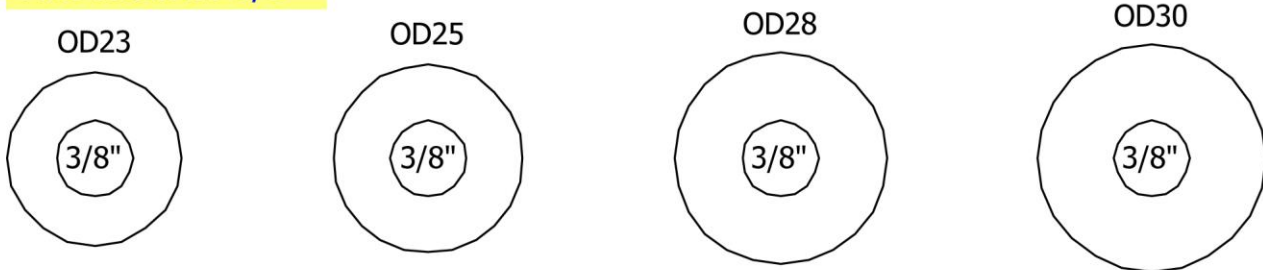
Flat Washer: 1/4"



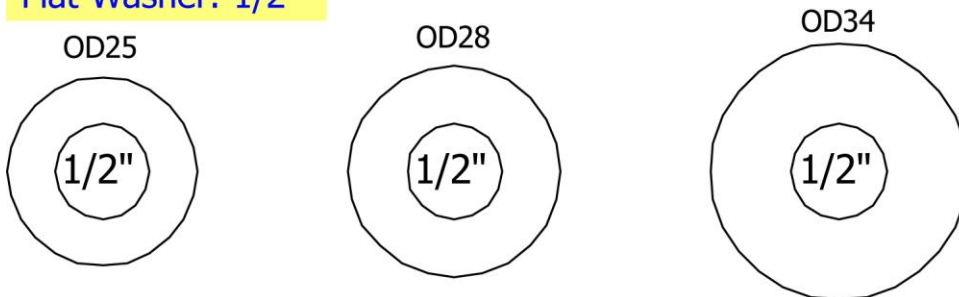
Flat Washer: 5/16"



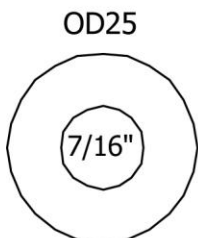
Flat Washer: 3/8"



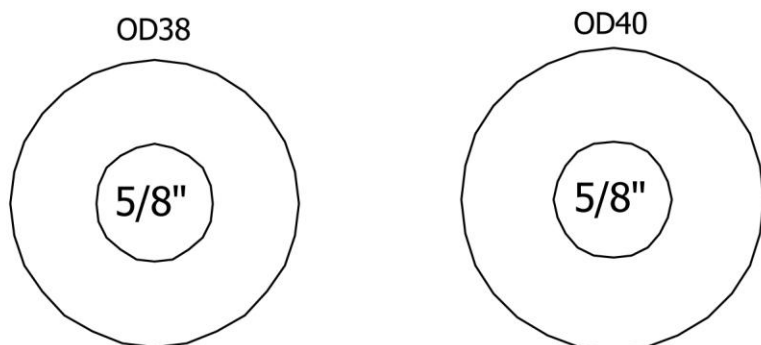
Flat Washer: 1/2"



Flat Washer: 7/16"



Flat Washer: 5/8"



HEX NUT

3/16"



HEX NUT

1/4"



HEX NUT

5/16"



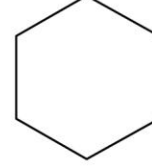
HEX NUT

3/8"



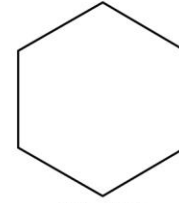
HEX NUT

1/2"



HEX NUT

5/8"



HEX NUT

NYLON HEX NUT

1/4"



NYLON HEX NUT

5/16"



NYLON HEX NUT

3/8"



NYLON HEX NUT

1/2"



NYLON HEX NUT

5/8"



NYLON HEX NUT

ACORN NUT

1/4"



ACORN NUT

5/16"



ACORN NUT

3/8"



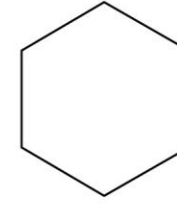
ACORN NUT

1/2"



ACORN NUT

5/8"



ACORN NUT

WING NUT

1/4"



WING NUT

5/16"



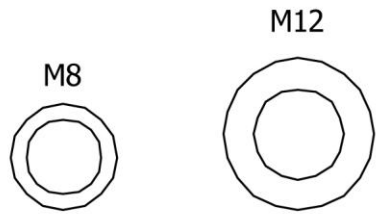
WING NUT

3/8"



WING NUT

Rubber Washer



Split Lock Washer

