

DO NOT SCALE

IF IN DOUBT ASK



Revisions		Date	Approved
Rev	Description		

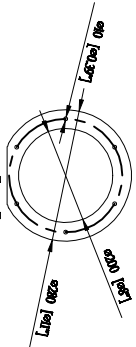
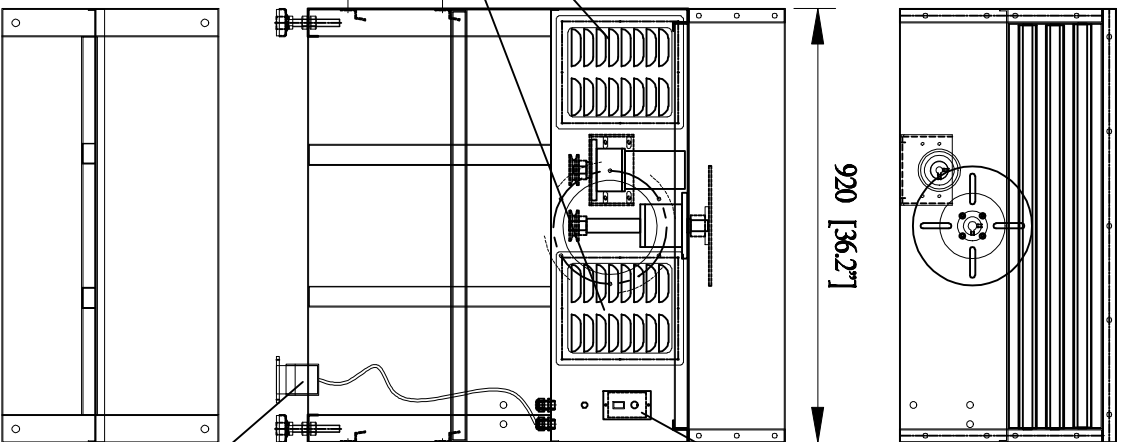
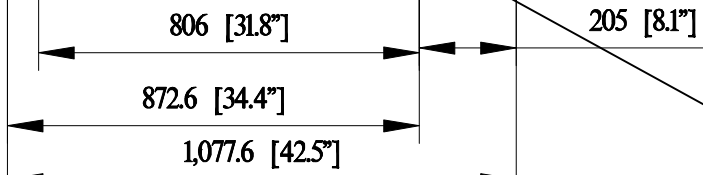


table
OUTLET

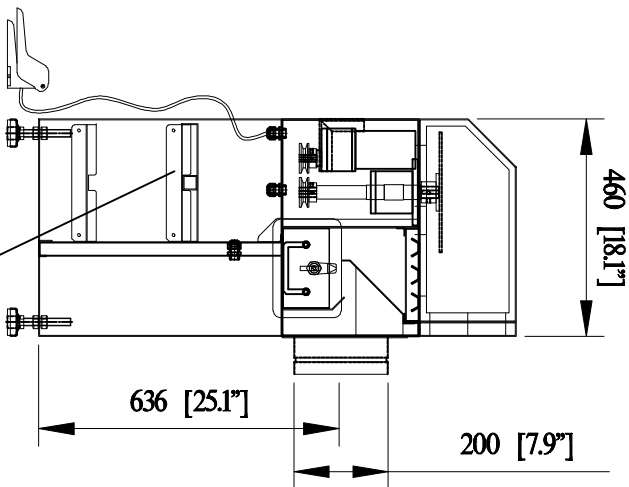
maintenance
door



speed control panel



pedal



tool rack

AVANI ENVIRONMENTAL INTL. INC. Sales Department

95 Cypress Drive

Youngsville, NC 27596

(919) 570-2862

Info@avanienvironmental.com

Date	Name	Part Number:
2011-06-01	***	Table w/ Welding Positioner
Checked by:		

The drawings, AutoCAD, 3-D Models, and specifications are the property of Avani Environmental Int'l, Inc. (A/E) and may not be reproduced, distributed, modified, or otherwise used, except provided herein, without the express written permission of A/E.

Title: **Saint Gobain Container**

Size	Scale	Drawing Number:
A	1 = 35	OS05-01-SDT-1600