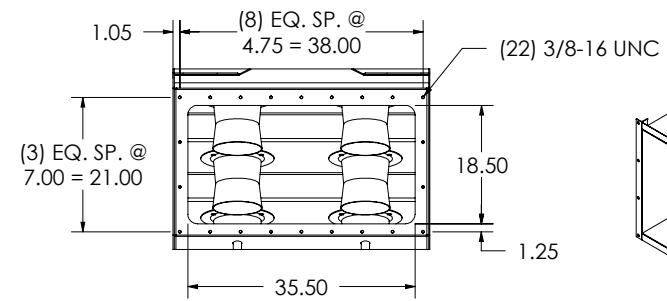
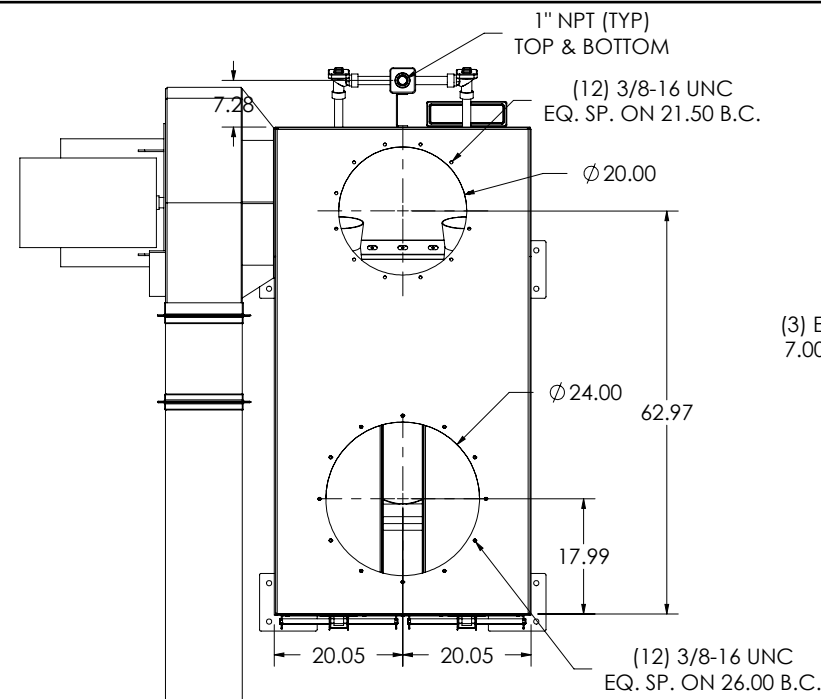
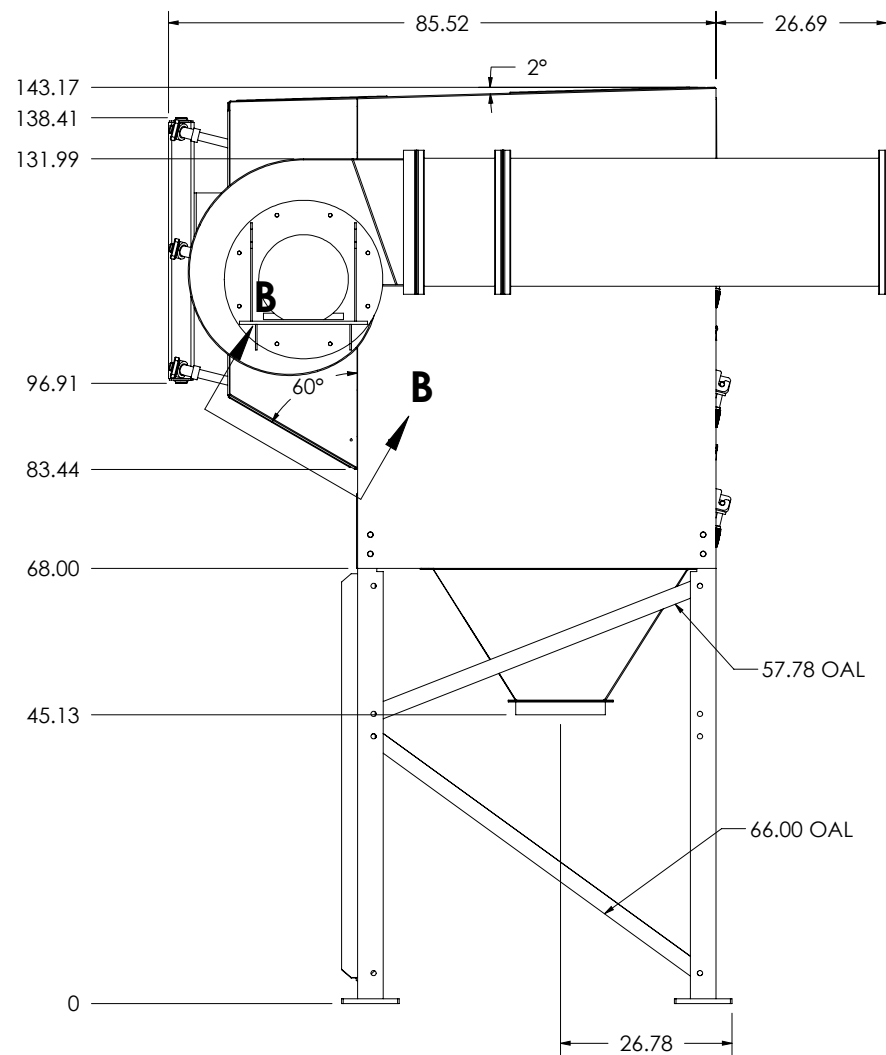
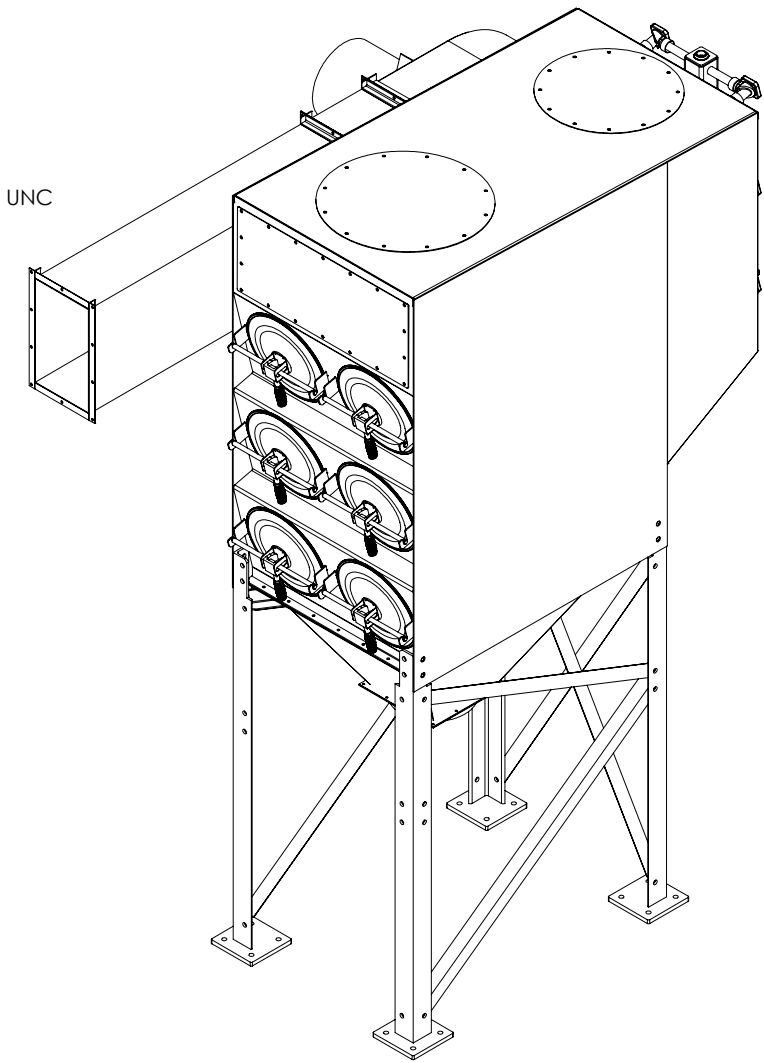
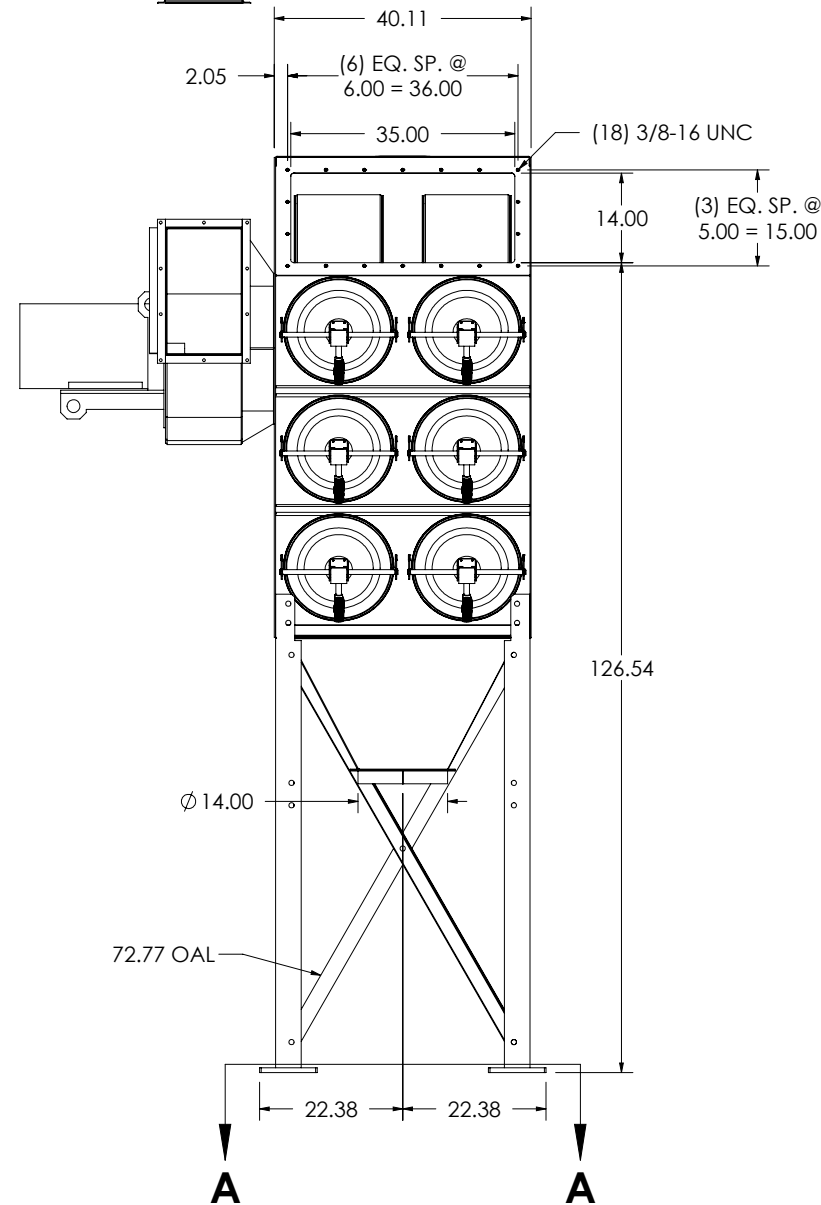


SECTION A-A



SECTION B-B




ACCESSORIES:

1. FAN BLOWER: TCF TCBI 15
2. ALL-IN-ONE CONTROLS (15HP/460V)
3. FAN OUTLET SILENCER & DAMPER
4. DRUM LID LATCH KIT

NOTES:

1. REMOVE LIFTING LUGS
2. SIDE MOUNT FAN
3. SILENCER TO BE SUPPORTED (BY OTHERS)

| REV | ECN | DATE | BY | CHK | DESCRIPTION |
|--|-----|------|----|--------------|-------------|
| - | - | - | - | - | - |
|  95 Cypress Dr. Youngsville, NC 27597 Phone: 919-570-2862 www.avanienvironmental.com | | | | | |
| DRAWN BY: JX DATE: 4/24/15 CHKD BY: - DATE: - SHOP NO.: 15736-001 SCALE: 1:30 | | | | | |
| TITLE: SDC-AT 3-12 SIDE MOUNT OPTION | | | | | |
| DRAWING NO. BC 500006 | | | | SHEET 1 OF 1 | ITEM - |
| | | | | REV. - | |