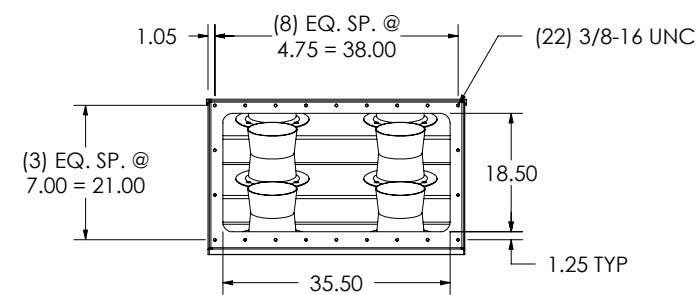
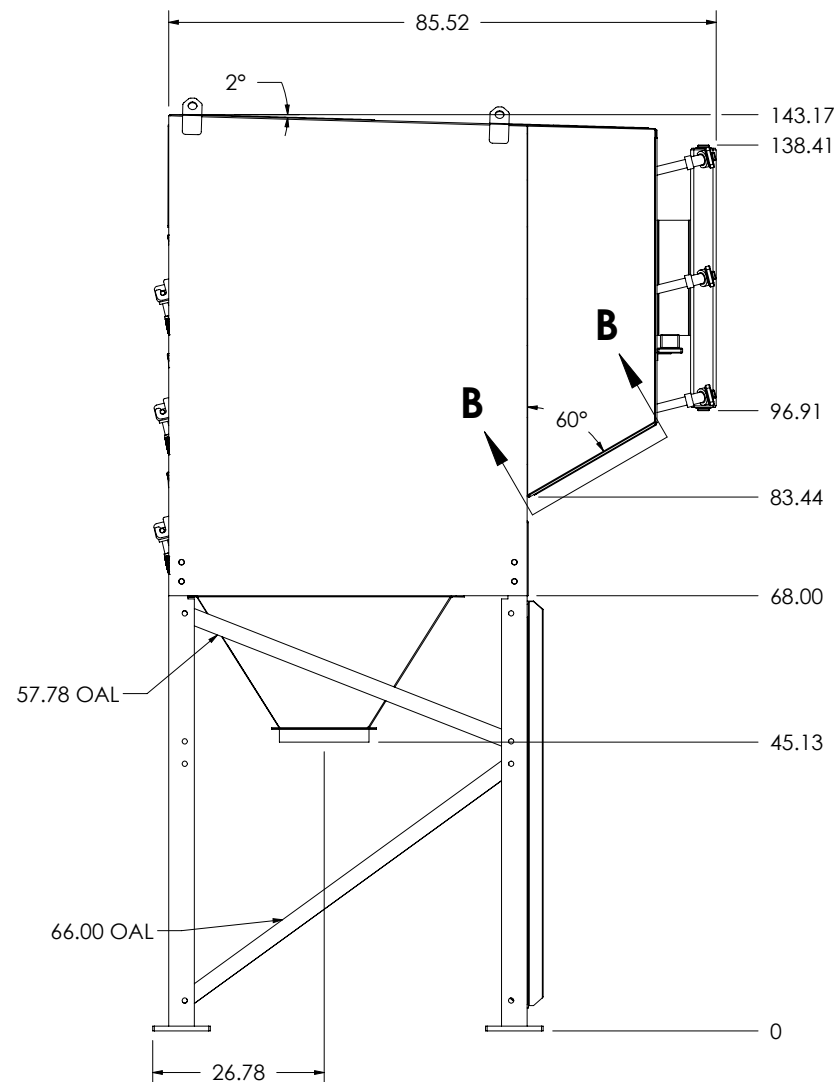
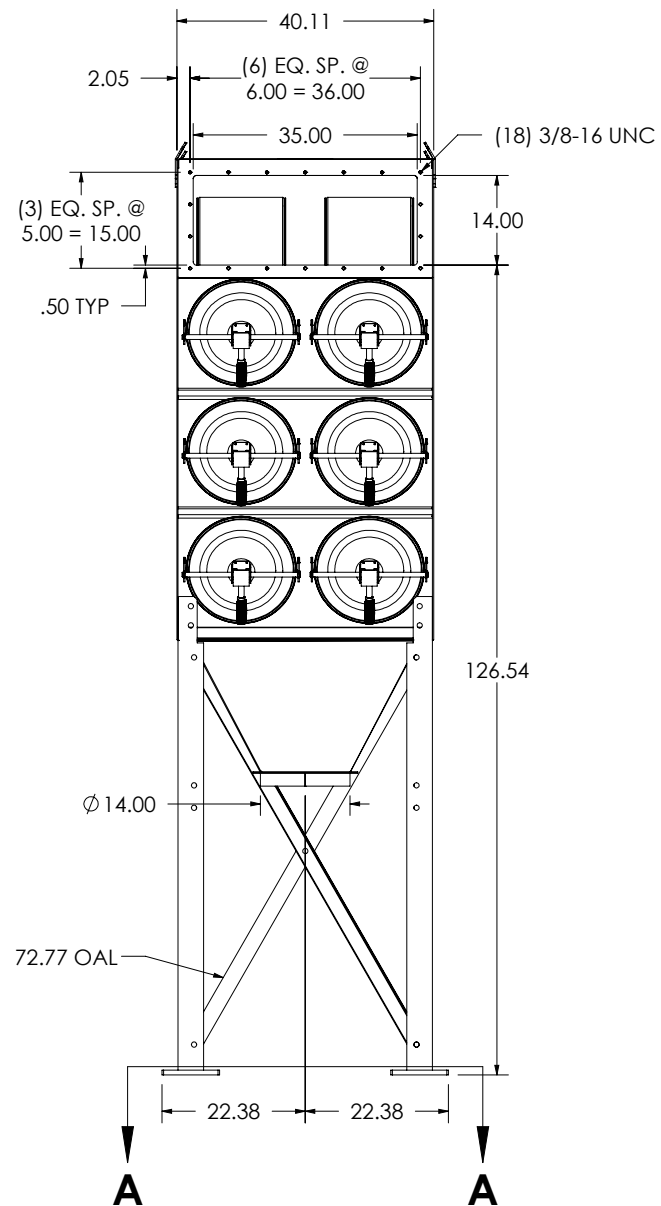


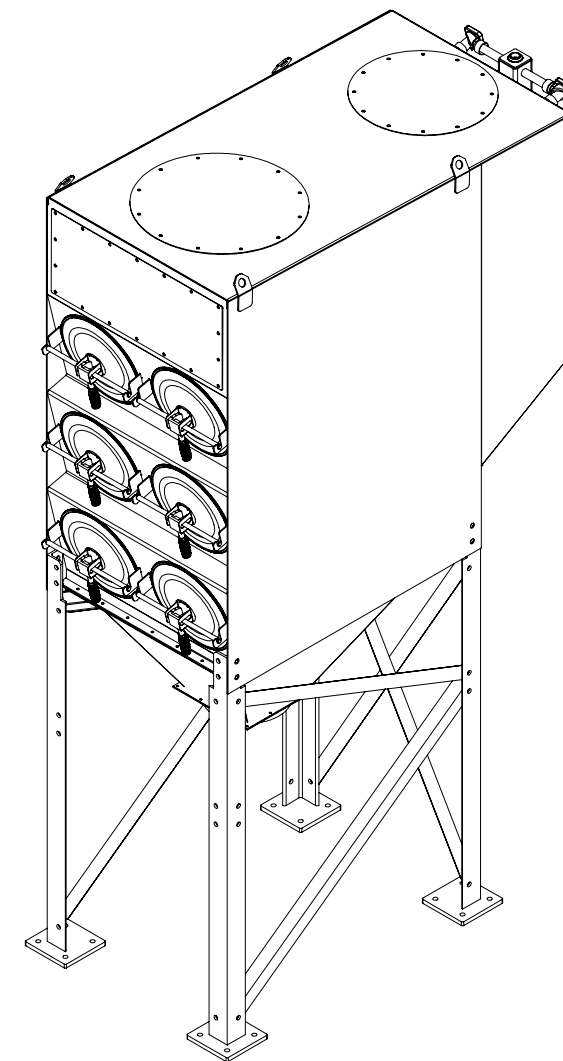
SECTION A-A



SECTION B-B




TCBI FAN SIZE	A	B
3	14.00	15.81
5-10	16.00	17.50
15-20	20.00	21.50
25-30	22.00	23.50



ACCESSORIES:

1. FAN BLOWER: TCF TCBI 15
2. ALL-IN-ONE CONTROLS (15HP/460V)
3. FAN OUTLET SILENCER & DAMPER
4. DRUM LID LATCH KIT

REV	ECN	DATE	BY	CHK	DESCRIPTION
-	-	-	-	-	-



avani
environmental®

95 Cypress Dr.
Youngsville, NC 27597
Phone: 919-570-2862
www.avanienvironmental.com

DRAWING NO. BC 500006	SHEET 1 OF 1	ITEM -	REV. -
---------------------------------	-----------------	-----------	-----------

DRAWN BY
JX

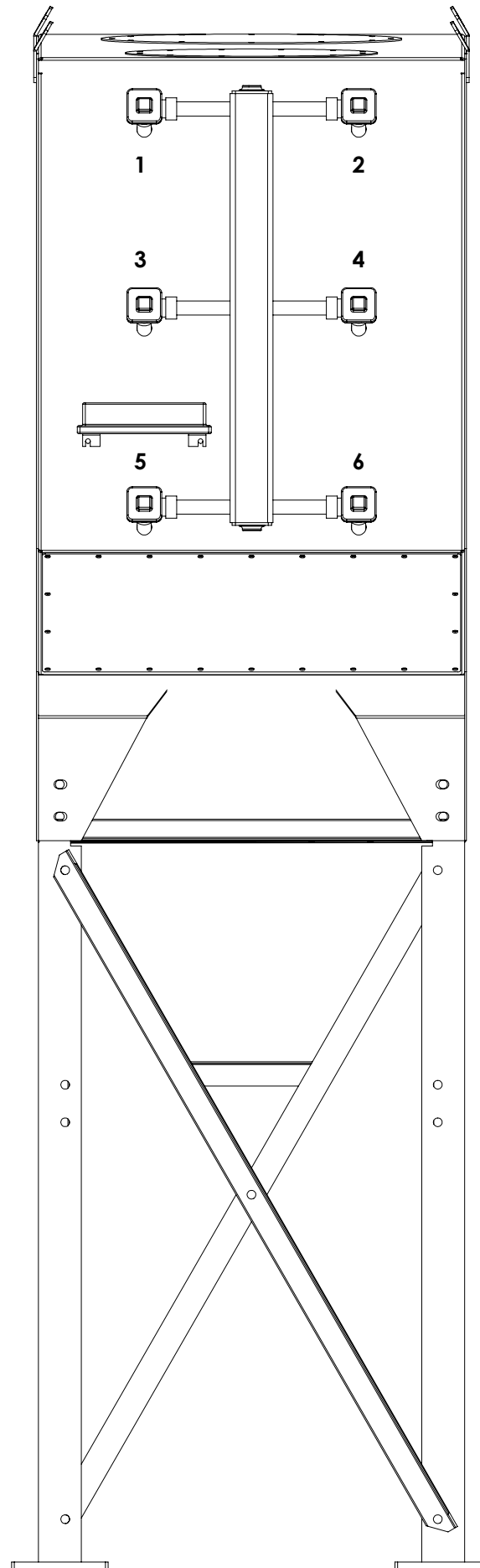
DATE
10/2/13

CHKD BY
JX

DATE
10/2/13

SHOP NO.
15736-001

SCALE
1:30



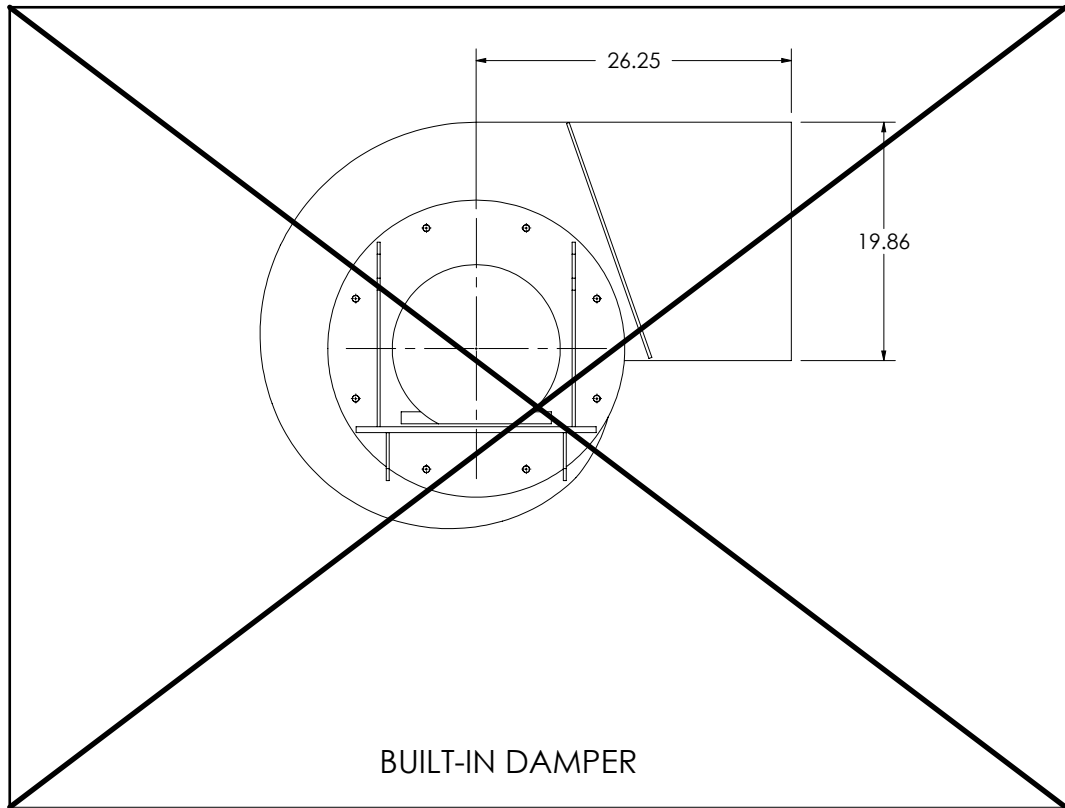
REV	ECN	DATE	BY	CHK	DESCRIPTION
-	-	-	-	-	-



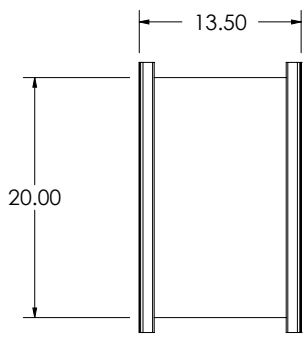
95 Cypress Dr.
 Youngsville, NC 27597
 Phone: 919-570-2862
 www.avanienvironmental.com

DRAWN BY	JX
DATE	10/2/13
CHKD BY	-
DATE	-
SHOP NO.	-
SCALE	1:15

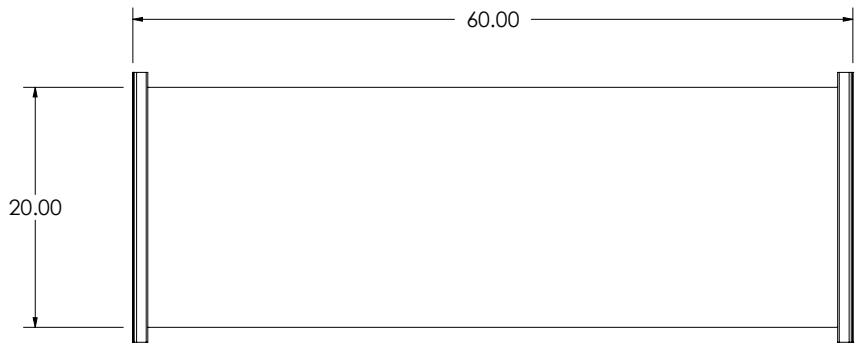
TITLE				
SDC-AT 3-12				
DIAPHRAGM VALVE LOCATIONS				
DRAWING NO.	SHEET	ITEM	REV.	
BC 500030	1 OF 1	-	-	



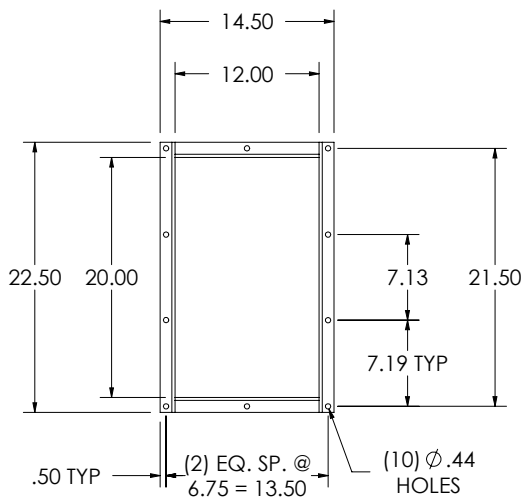
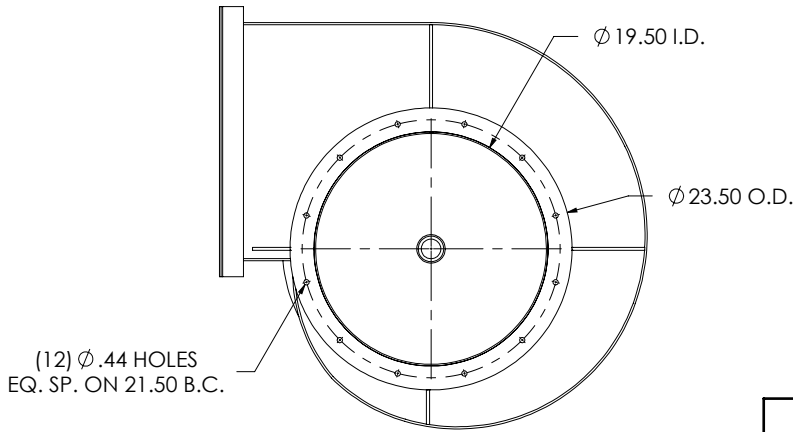
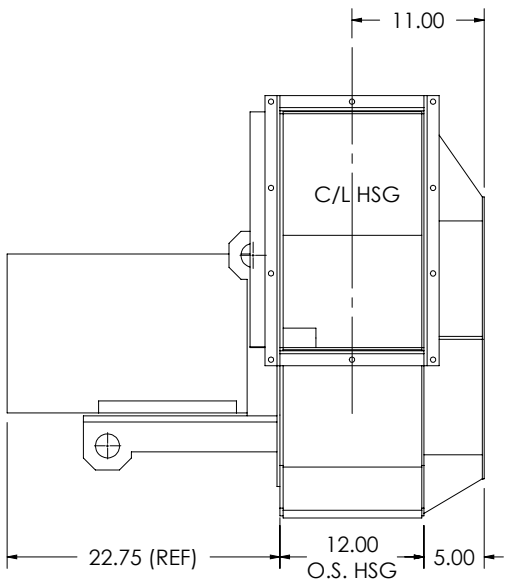
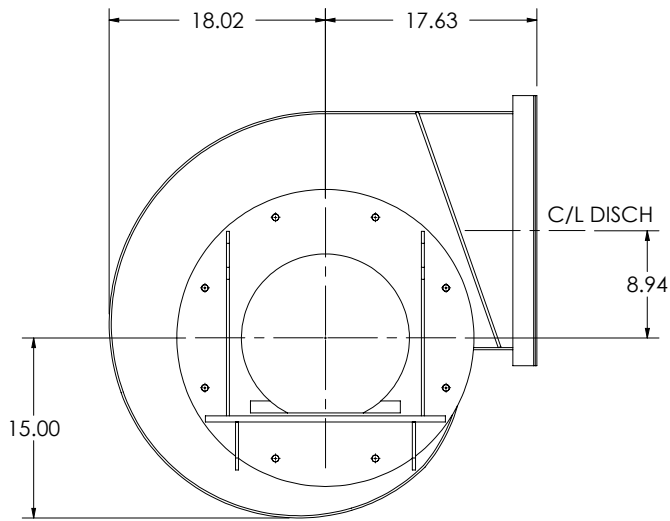
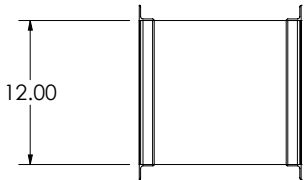
BUILT-IN DAMPER



DETACHED OUTLET DAMPER



OUTLET SILENCER



FLANGE DETAIL

NOTES:
1. "CW" ROTATION SHOWN. "CCW" ROTATION SIMILAR BUT OPPOSITE.

THE INFORMATION SHOWN ON THIS DRAWING IS THE EXCLUSIVE PROPERTY OF AVANI ENVIRONMENTAL. IT IS NOT TO BE USED FOR ANY PURPOSE OR ITS CONTENTS DISCLOSED WITHOUT OUR WRITTEN CONSENT.

DESCRIPTION	APPROX. WT (LBS)
FAN	617
DAMPER	81
SILENCER	122
BUILT-IN DAMPER	TBD

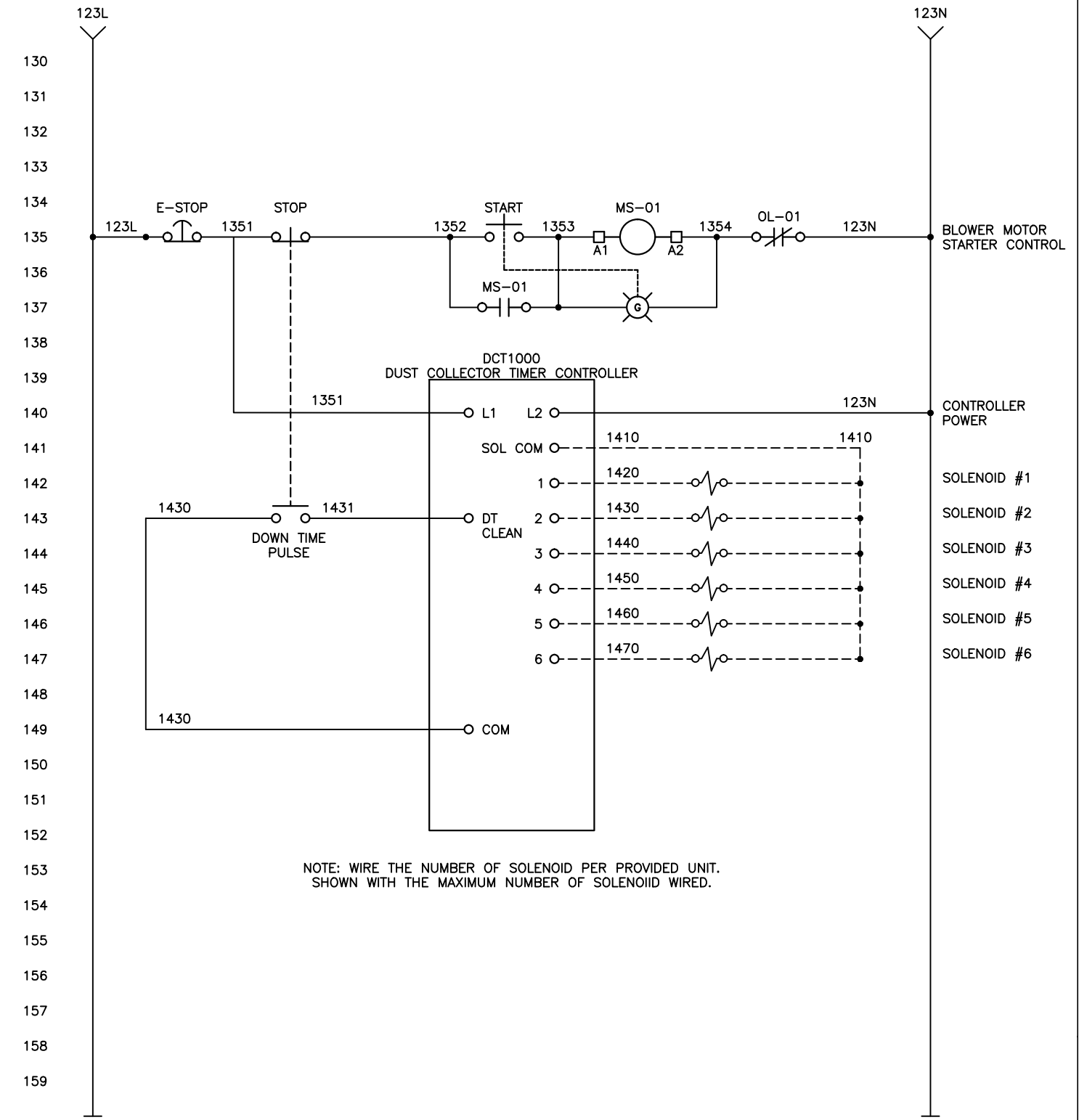
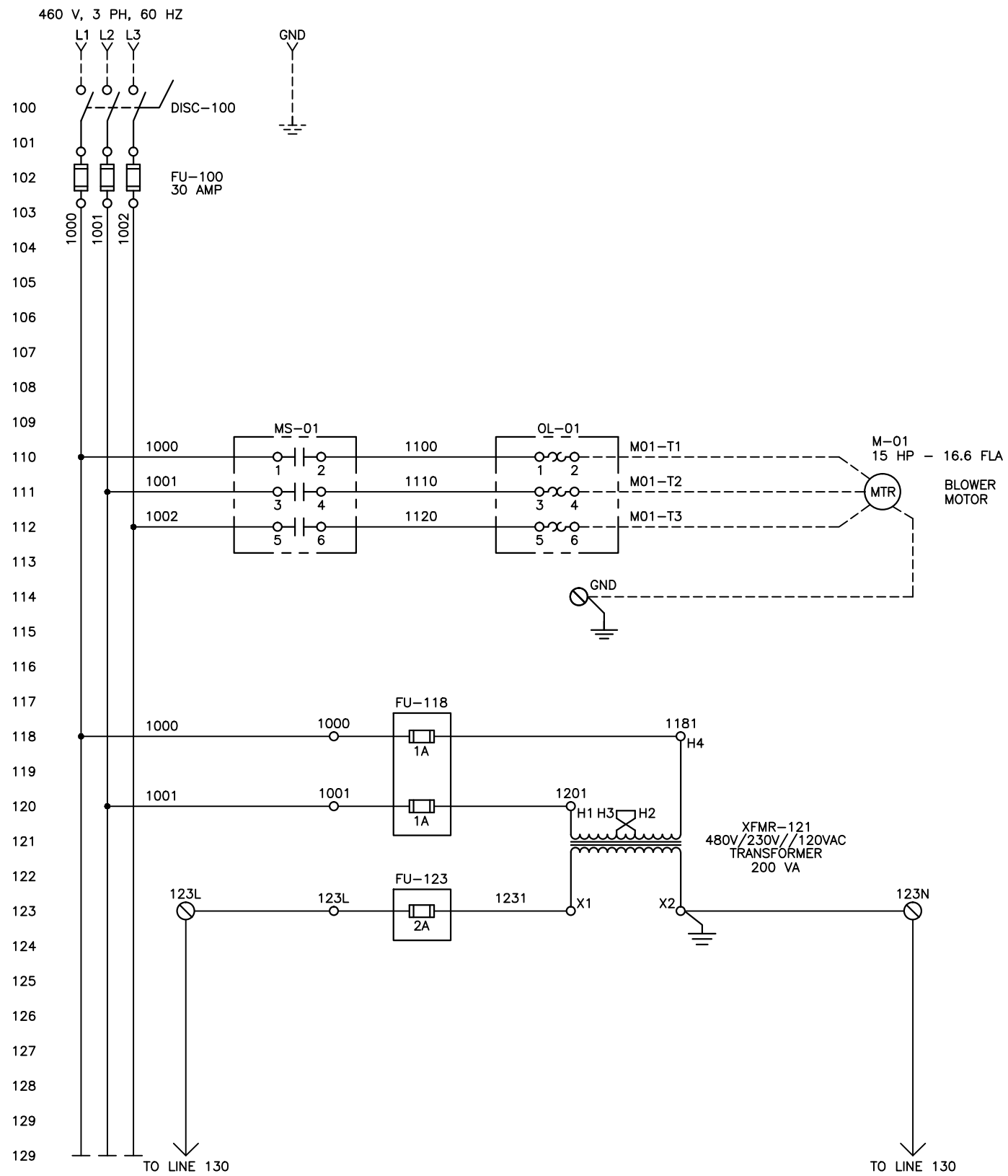
REV	ECN	DATE	BY	CHK	DESCRIPTION
A	-	3/17/15	JX	-	ADD WEIGHTS



95 Cypress Dr.
Youngsville, NC 27597
Phone: 919-570-2862
www.avanienvironmental.com

DRAWN BY	JX
DATE	8/15/13
CHKD BY	JX
DATE	8/15/13
SHOP NO.	15736-001
SCALE	1:16

TOLERANCES UNLESS OTHERWISE SPECIFIED	DECIMALS: .X ± .05 .XX ± .010 .XXX ± .005	FRACTIONS: ± 1/64	ANGULAR: ± 1 DEG	ALL DIMENSIONS IN INCHES UNLESS OTHERWISE SPECIFIED			
TITLE	TCF 15 TCBI FAN W/ ACCESSORIES						
DRAWING NO.	BC 500052	SHEET	1 OF 1	ITEM	-	REV.	A



NOTE: WIRE THE NUMBER OF SOLENOID PER PROVIDED UNIT. SHOWN WITH THE MAXIMUM NUMBER OF SOLENOID WIRED.

THIS DRAWING IS CONFIDENTIAL PROPERTY OF ENGINEERING FIRM. DO NOT DUPLICATE IN ANY TYPE WITHOUT PROPER WRITTEN PERMISSION. IF YOU ARE NOT THE INTENDED CLIENT PLEASE DESTROY THIS DOCUMENT.			DUST COLLECTOR BLOWER PACKAGE 480VAC, 3 PHASE - 15 HP WITH DUST COLLECTOR TIMER CONTROLLER		
REV.	DESCRIPTION	DATE	FILE PATH: c:\clients\	CLIENT	PLOT DATE: 01/01/04
1	CREATED	7/28/08		AVANI ENVIRONMENTAL	DRAWING NUMBER 15 HP 100
			DRAWN BY: ECS	DATE: 7/28/08	DRAWING SCALE NONE
			CHECKED BY: ECS	DATE: 7/28/08	PROJECT NUMBER