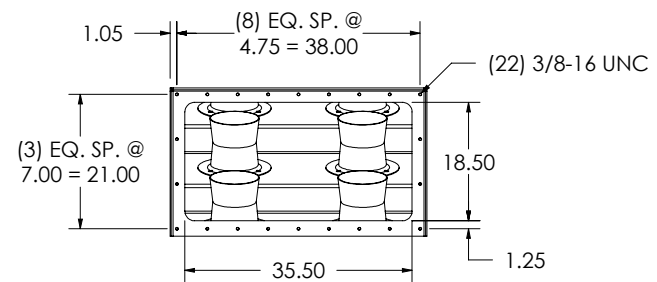
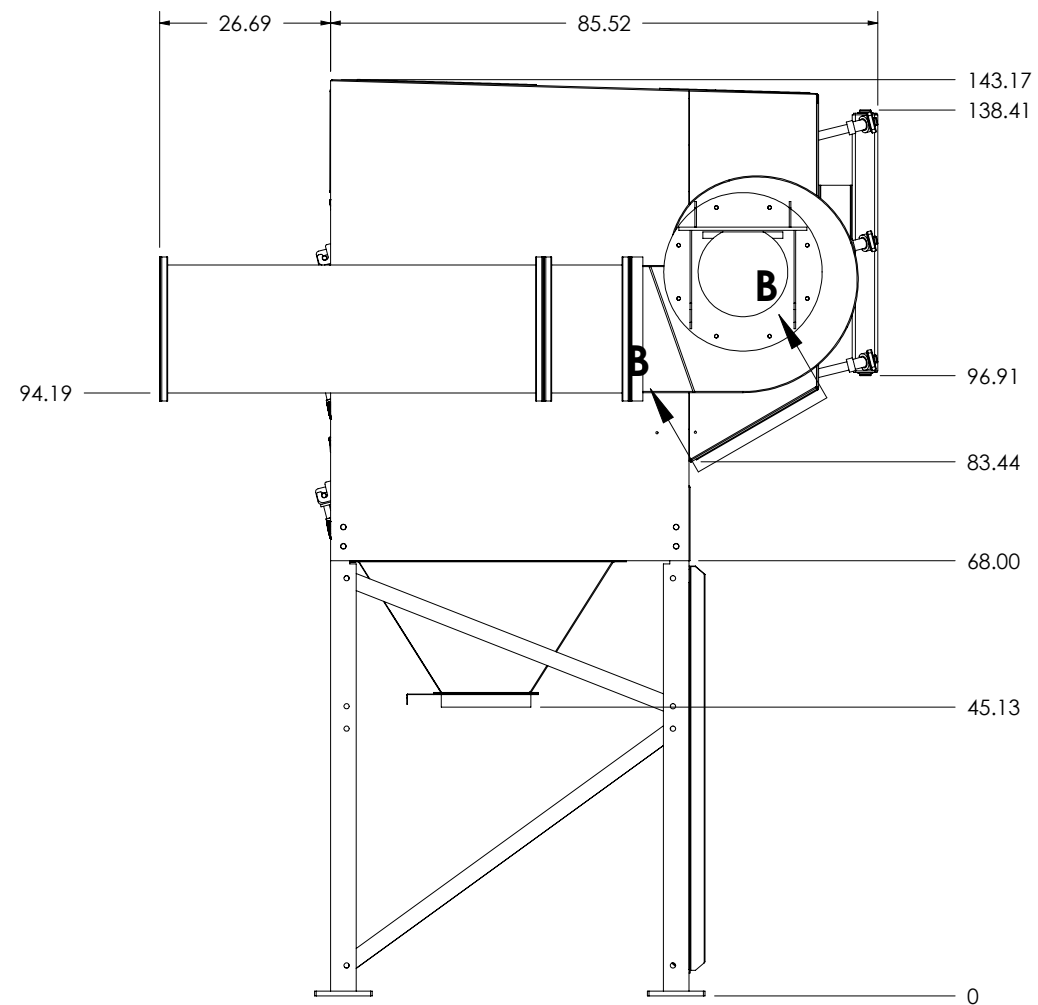
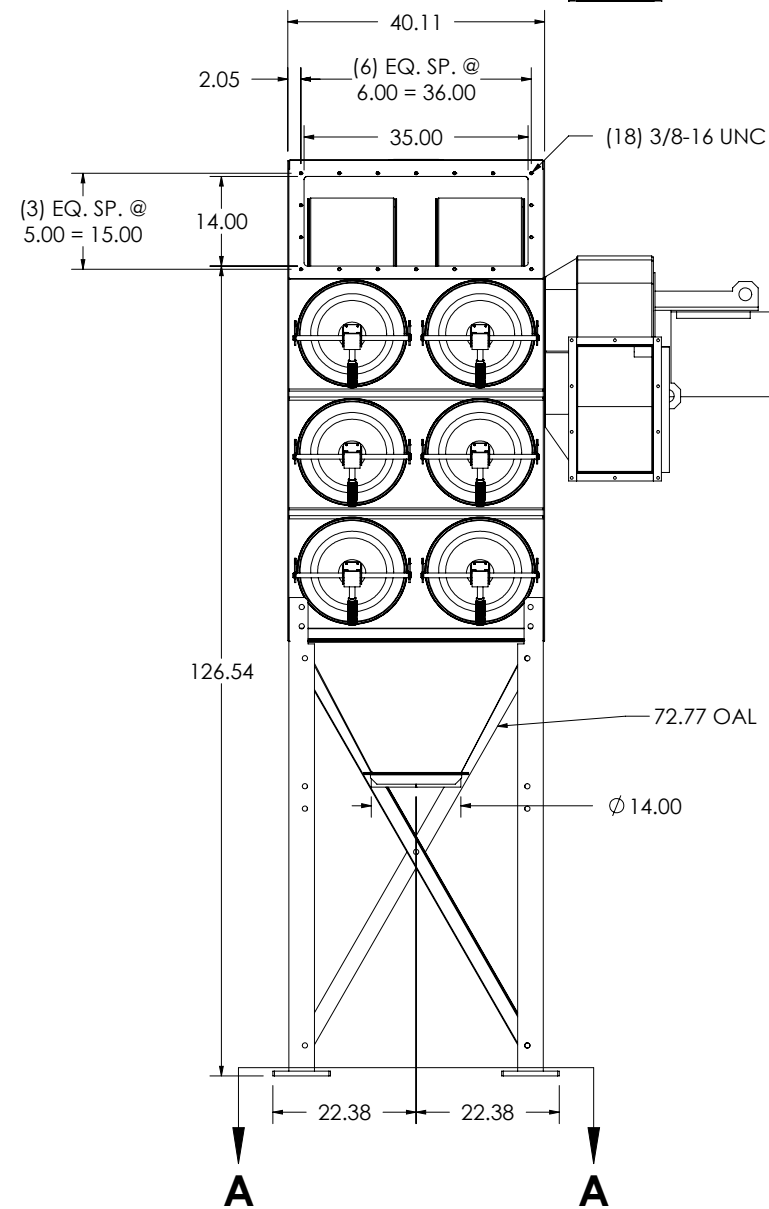
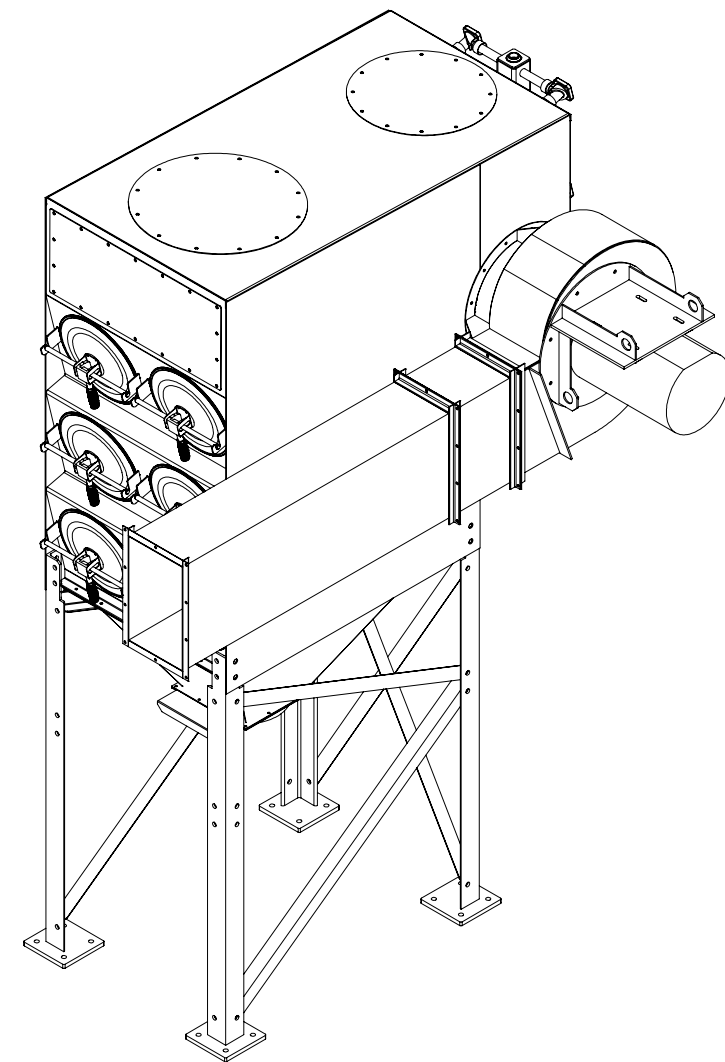


SECTION A-A



SECTION B-B




ACCESSORIES:

1. FAN BLOWER: TCF TCBI 15
2. ALL-IN-ONE CONTROLS (15HP/460V)
3. FAN OUTLET SILENCER & DAMPER
4. DRUM LID LATCH KIT

NOTES:

1. REMOVE LIFTING LUGS
2. SIDE MOUNT FAN
3. SILENCER TO BE SUPPORTED (BY OTHERS)

REV	ECN	DATE	BY	CHK	DESCRIPTION
-	-	-	-	-	-
 95 Cypress Dr. Youngsville, NC 27597 Phone: 919-570-2862 www.avanienvironmental.com					
DRAWN BY: JX DATE: 4/24/15 CHKD BY: - DATE: - SHOP NO.: 15736-001 SCALE: 1:30					
TITLE SDC-AT 3-12 RH SIDE MOUNT OPTION					
DRAWING NO. BC 500006				SHEET 1 OF 1	ITEM -
				REV. -	-