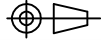


DO NOT SCALE

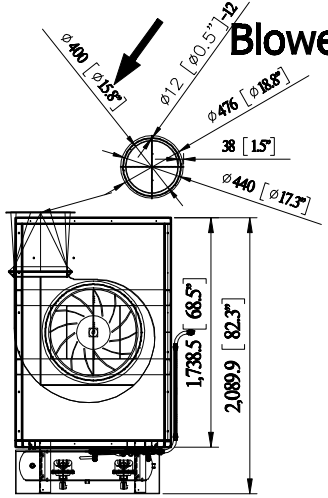
IF IN DOUBT ASK



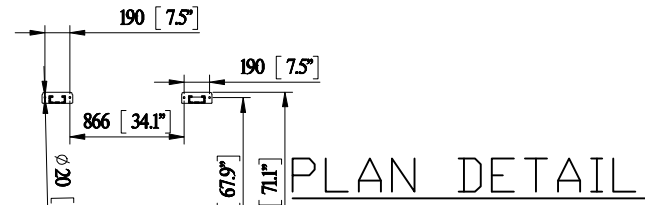
Cordero Mine Company po# 3645

Revisions			
Rev	Description	Date	Approved

- SDC-10-8MDF SPECIFICATION -



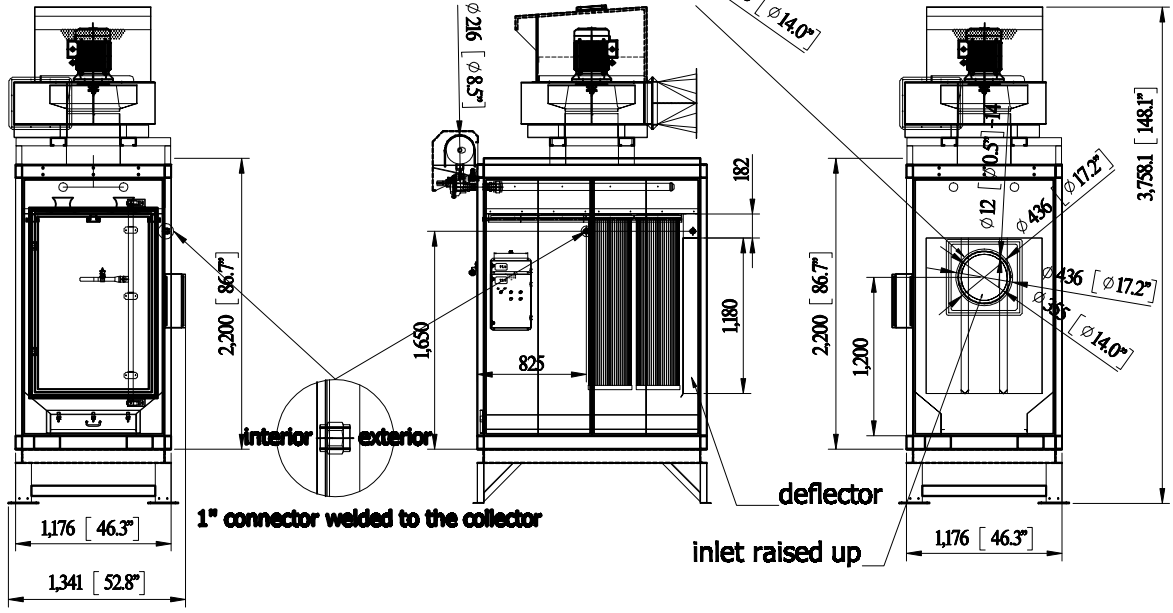
Blower Outlet



PLAN DETAIL



Cartridge Collector Inlet



1" connector welded to the collector

deflector

inlet raised up

- Direct Drive Blower (on the machine top)
- Motor: 10HP x 1 pc
- CFM: 4,400 ft³/min @ 8" SP (460V / 60Hz / 3-phase)
- Include:
 - UL Individual Control Box for Cartridge Collector and Blower
- ***Cartridge Collector Inlet: 14"
- ***Blower Outlet: dia. 400mm (square to round transition made at dia. 15.8" for fan outlet provided).
- Cartridge Filter: Dia. 325mm x 1320mm x 8pcs (Dia. 12.8" x 52" x 8pcs)
- Material: Polyester with TEFLON coating.
- Filter Area: 19m² x 8 = 152m² (1635.52 ft²)
- Pleat Depth: 48mm
- Horizontal Positioned Filters,
- Continuous Welded Seams,
- Gasket and Latched Doors,
- Powder Coated Paint and
- Reverse Jet Pulse Cleaning
- Include:
 - Filter Chamber
 - Inlet Square Pipe (need dimensions)
 - Fan/motor combinations
- No. of Valves: 2
- Inlet Air: ³/₄"
- Compressed Air Requirement: 90 PSI
- Compressed Air Reservoir: 7.9 gallon
- Dimension: 46.3" x 81.9" x 163" (1176 x 2077.5 x 4136.8mm)
- Construction: 13 Gauge for panel; 11 Gauge Steel Cabinet
- Max. Operating Temp.: 120 °C
- Paint Color: Blue
- ***1" connector welded to the right side of the collector.
- ***with Feet underneath the machine.
- ***pulse control box run off of 120V, 1-phase, no transformer inside pulse box. Pulse box located outside on the collector.
- ***blower control box: 460V / 60Hz / 3-phase, with transformer. Blower box located inside the building.

AVANI ENVIRONMENTAL INTL. INC. Sales Department
95 Cypress Drive (919) 570-2862
Youngville, NC 27596 info@avanienvironmental.com

	Date	Name	Part Number:	Title:	
Drawn by:	2011-10-14	***	SDC-10-8MDF	Cartridge Collector (mezzanine drawer type)	
Checked by:					
The drawings, AutoCAD, 3-D Models, and specifications are the property of Avani Environmental Intl. Inc. (AE) and may not be reproduced, distributed, modified, or otherwise used, except provided herein, without the express written permission of AE.				Size	Drawing Number:
				A	SVL-800-02
				Scale	
				1 = 1	