

DO NOT SCALE

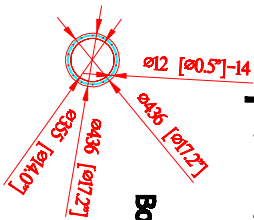
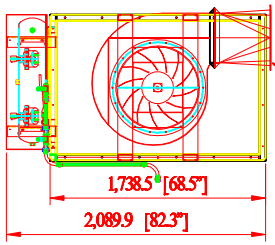
IF IN DOUBT ASK



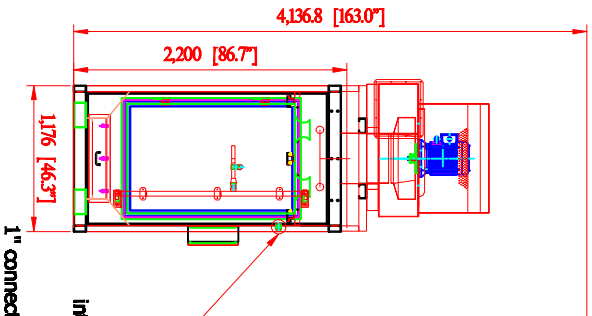
Cordero Mine Company

w/ silencer po# 3645

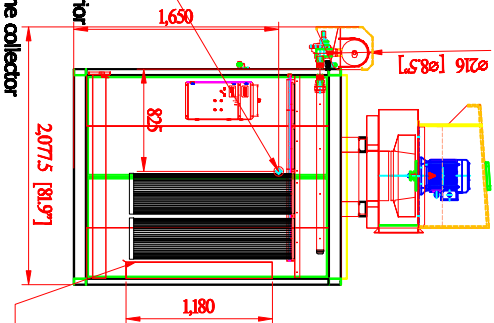
Rectangular to round transition on fan outlet, 16" diameter



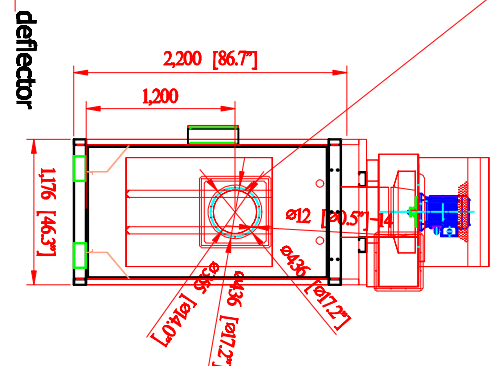
Bolt Pattern for Inlet to collector



1" connector welded to the collector



Inlet raised up



deflector

Rev	Description	Date	Approved
	- SDC-10-8MID SPECIFICATION -		

- Direct Drive Blower (on the machine top)
- Motor: 10HP x 1 pc 460 volt 3 phase
- CFM: 4,400 f3/min @ 8" SP
- Include:
- - UL Individual Control Box for Cartridge Collector and Blower

- ***Inlet: 14"
- Cartridge Filter: Dia. 325mm x 1320mm x 8pcs (Dia. 12.8" x 52" x 8pcs)
- Material: Polyester with TEFLON coating.
- Filter Area: 19m² x 8 = 152m² (1635.52 f2)
- Pleat Depth: 48mm

- Horizontal Positioned Filters,
- Continuous Welded Seams,
- Gasket and Latched Doors,
- Powder Coated Paint and
- Reverse Jet Pulse Cleaning

- Include:
- - Filter Chamber
- - Inlet Square Pipe (need dimensions)
- - Fan/motor combination
- No. of Valves: 2

- Inlet Air: 4"
- Compressed Air Requirement: 90 PSI
- Compressed Air Reservoir: 7.9 gallon
- Dimension: 46.3" x 81.9" x 163" (1176 x 2077.5 x 4136.8mm)
- Construction: 13 Gauge for panel; 11 Gauge Steel Cabinet
- Max. Operating Temp.: 120 °C
- Paint Color: Blue

AVANI ENVIRONMENTAL INTL. INC. Sales Department
 95 Cypress Drive
 Youngsville, NC 27596

(919) 570-2862
 info@avanienvironmental.com

Drawn by:	Date	Name
2011-03-24	****	

Part Number:
SDC-10-8MID

Title:
Cartridge Collector (mezzanine drawer type)

The drawings, AutoCAD, 3-D Models, and specifications are the property of Avani Environmental Intl. Inc. (V&S) and may not be reproduced, distributed, modified, or otherwise used, except provided herein, without the express written permission of A/E.

Size	Scale	Drawing Number:
A	1 = 1	SVL-800-01