



REPRESENTED BY:

TODD AIR SOLUTIONS
101 E FISHER ST, 3rd FLOOR
SALISBURY NC 28144
Phone: 704 630-1101
Fax: 704 630-0528

DRAWING SUBMITTAL

CUSTOMER:

AVANI ENVIRONMENTAL
PO BOX 1279
YOUNGSVILLE, NC 27596

DATE: 10/12/2011

ATTENTION: Mr. Bob Venezia

P.O. # 3653

CFV # 1112759

REPRESENTATIVE ORDER # CFQ# 199820

 X REFERENCE APPROVAL CORRECTION

QTY.	DRAWING NO.	DESCRIPTION
	- - - -	SPECIFICATION SHEET
	HD1204-SHT 3	MODEL HDBI-120
	27205	FLANGES

REMARKS: 2D CAD FILE ALSO INCLUDED.



SPECIFICATION SHEET

CFV NO. 1112759	CUSTOMER ID NUMBER 3566220	PAGE 1	
S O L D	AVANI ENVIRONMENTAL PO BOX 1279 YOUNGSVILLE, NC 27596	S H I P	CORDERO MINE COMPANY WAREHOUSE - 748 T-7 RD ATTN: DAVID SNAPP GILLETTE, WY 82716
T O		T O	
	CUSTOMER P.O. NUMBER 3653	BUYER Mr. Bob Venezia	REQUESTED SHIP DATE 11/01/11

MARKS 3653				Ship Inst:CALL1-866-533-2111 FOR CARRI				
SHIP VIA Other-See Below		REPRESENTATIVE TODD AIR SOLUTIONS		REP. ORDER NO. CFQ# 199820		SHIPPING CHARGES Bill 'Sold-To'		
QTY. 1	DESCRIPTION HEAVY DUTY BI BLOWER		MODEL HDBI-120 CCW	ROT UB	DISCH 4	ARR SQBI 100%	WHEEL/PROP 100%	
MOTOR DATA	HP 5	RPM 3500	PH 3	CYCLE 60	VOLTAGE SEE BELOW	FRAME 184T	ENCLOSURE TEFC	
	SPECIAL MOTOR FEATURES 374854S						SUPPLIED BY CFV	INSTALLED BY CFV
				GROOVES	FXD/ADJ	BELT		
FAN DATA	DENSITY .075	TEMP. 70 °F.	ALTITUDE	CFM 3000	SP 6.000	RPM 3500	BHP 4.300	
MOTOR VENDOR MODEL NUMBER 1LE21211CA314AA3							MOTOR SHEAVE	BUSHING
							FAN SHEAVE	BUSHING

Record Print, 2D CAD Drawings

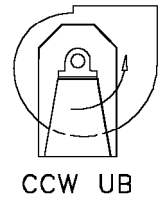
Complete Motor Description:

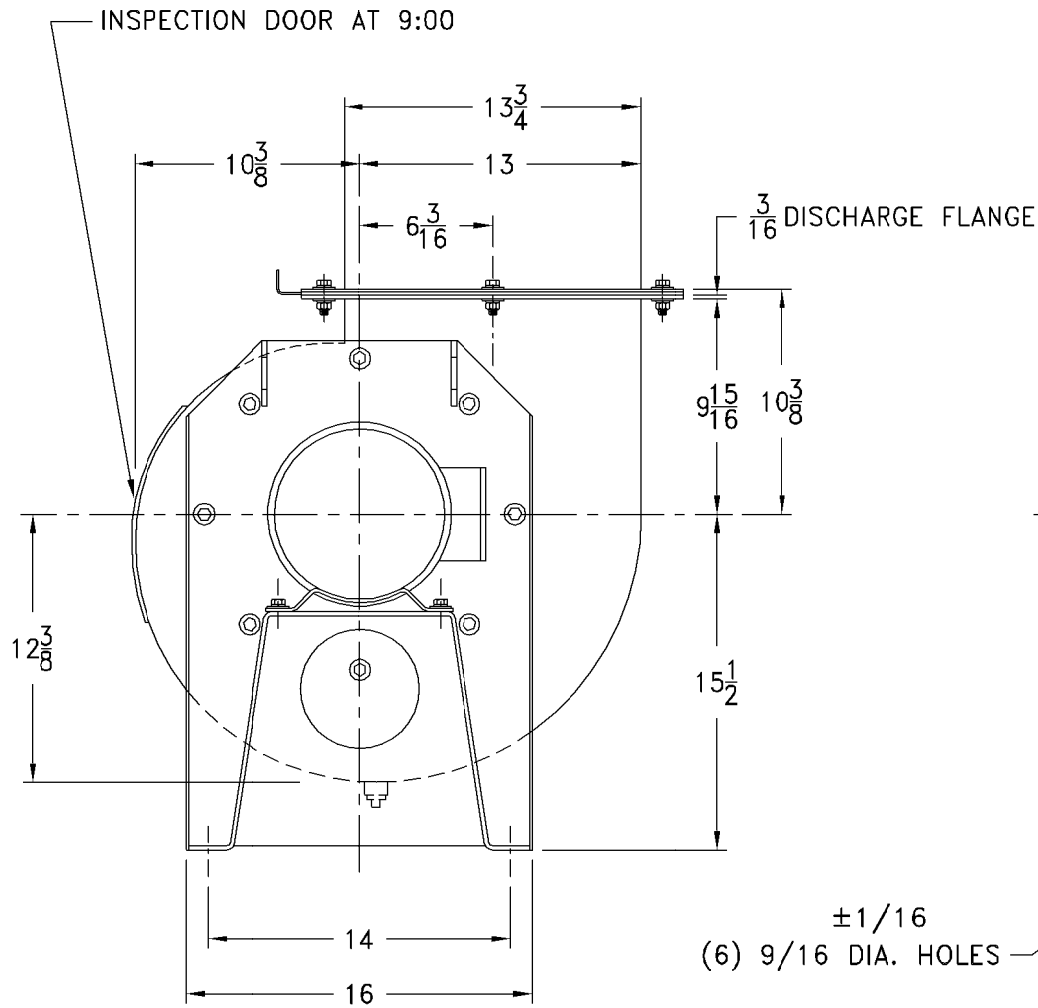
MTR, 5 HP, 2850/3450 RPM, 3PH, 50/60Hz, 200/400/50 & 208-230/460/60, TEFC, Prem Eff, FM, 184T, 1.15 SF, F Insul., 40C Amb., Sealed Bearings, F1 Box, Alum. Frame, CE, 1.00 SF @ 50 HZ., GP100A SERIES, NOT PREM. EFF. ON 50 HZ., ALTERNATE #1LE21111CA314AA3, Siemens

Maximum allowable wheel speed at 70°F is 4065 RPM

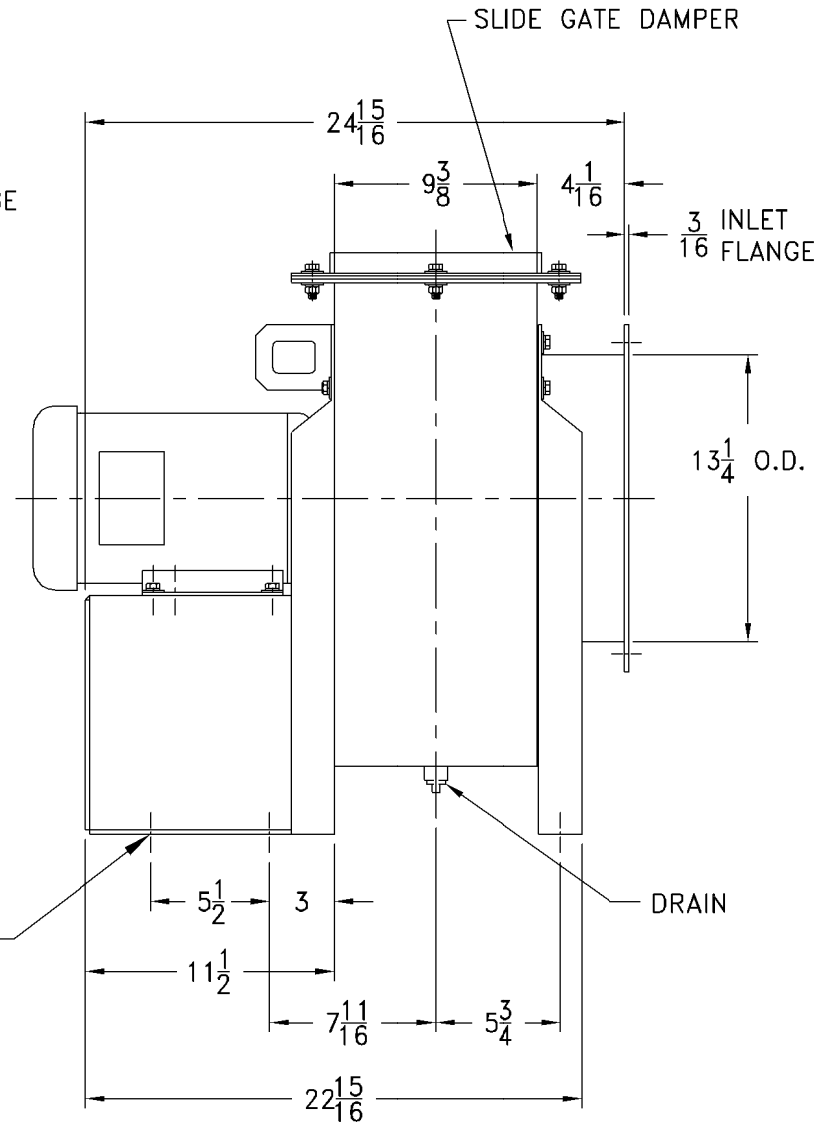
- Estimated Shipping Weight: 231 pounds
- CLASS II WHEEL CONSTRUCTION
- FABRICATED SLIDE GATE DAMPER ON DISCHARGE
- DRILL DISCHARGE FLANGE STANDARD
- DRILL INLET FLANGE STANDARD BOLT CIRCLE ON-CENTERS
- QUICK OPEN INSPECTION DOOR AT 9 O'CLOCK
- DRAIN
- TEFLON SHAFT SEAL
- AVANI BLUE PAINT

Submittal Email: bvenezia@avanienvironmental.com





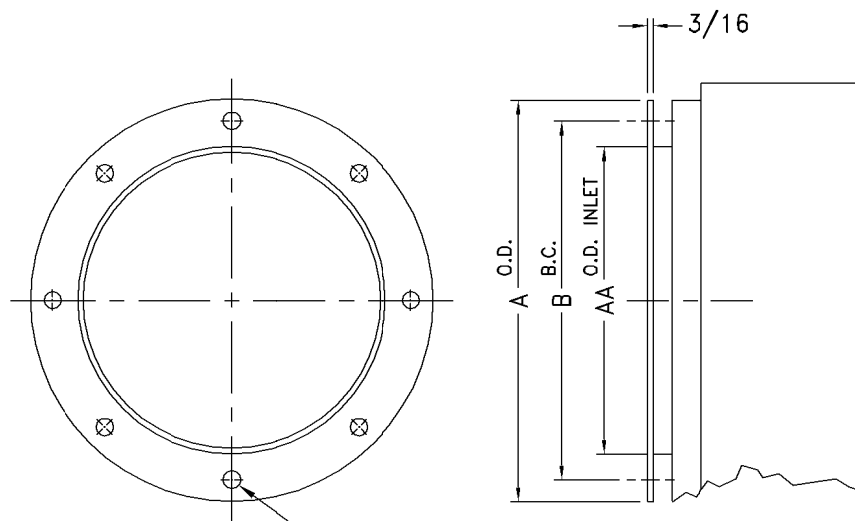
CCW UP BLAST DISCHARGE SHOWN



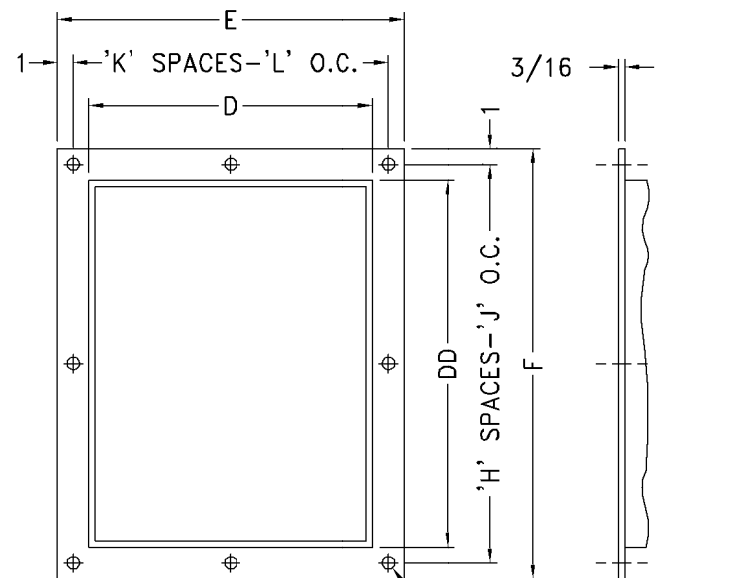
NOTES:

- 182T-184T FRAME MOTOR SHOWN.
- SEE DWG A27205 FOR INLET & DISCHARGE FLANGES.

				SUPERSEDES:		TOLERANCES: FRACTIONS ± 1/8 ANGLES: ± 1° DECIMALS: X.XXX = ±0.005 X.XX = ±0.060 X.X = ±0.120		SCALE: FULL IN CAD		cincinnati fan 7697 SNIDER ROAD MASON, OHIO 45040	
				SIMILAR TO:		ALL DIMENSIONS IN INCHES UNLESS OTHERWISE SPECIFIED		DATE: 9/29/03			
2	ADDED SLIDE GATE DISCH. DAMPER	12/22/08	DKB					DR. BY: DF		TITLE	
1	REVISED DWG. TITLE & DWG NUMBER	10/02/06	LG					CHK. BY:		HDBI/HDAF-120 ARR. 4 (CCW UB)	
NO.	DESCRIPTION	DATE	INITIALS	MATERIAL:		ASSEMBLY		DRAWING NO.		SHEET	REV.
REVISIONS								A HD1204		3 of	2



INLET FLANGE "N" HOLES, "P" DIA.



DISCHARGE FLANGE ① "M" 7/16 DIA. HOLES

SIZE	INLET					DISCHARGE								
	A O.D.	B B.C.	N	AA DIA.	P	D	E	F	H	J	K	L	M	DD
120	16	14-3/8	8	13-1/4	7/16	9-3/8	13-3/8	17-11/16	2	7-27/32	2	5-11/16	8	13-3/4
130	17-3/4	15-15/16	8	14-5/8	7/16	10-3/8	14-3/8	19-3/16	2	8-19/32	2	6-3/16	8	15-1/4
150	19-1/4	17-1/2	8	16-1/8	7/16	11-3/8	15-3/8	20-3/4	3	6-1/4	2	6-11/16	10	16-13/16
160	21-1/8	19-3/8	8	18	7/16	12-1/2	16-1/2	22-7/16	3	6-13/16	2	7-1/4	10	18-7/16
180	23-1/2	21-1/2	12	20	7/16	13-7/8	17-7/8	24-1/2	3	7-1/2	2	7-15/16	10	20-3/8
200	25-1/2	23-1/2	12	22	7/16	15-1/4	19-1/4	26-3/8	3	8-1/8	3	5-3/4	12	22-3/8
220	28-1/8	26-1/8	12	24-5/8	7/16	16-7/8	20-15/16	28-7/8	4	6-23/32	3	6-5/16	14	24-7/8
240	30-3/4	28-3/4	16	27	7/16	18-9/16	22-5/8	31-3/8	4	7-11/32	3	6-7/8	14	27-3/8
270	33-3/4	31-5/8	16	30	7/16	20-7/16	24-1/2	34-1/8	4	8-1/32	3	7-1/2	14	30-1/16
300	37-1/4	35-1/4	16	33-1/2	7/16	22-3/4	26-3/4	37-5/8	5	7-1/8	3	8-1/4	16	33-9/16
330	40-3/8	38-3/4	16	36-3/4	1/2	24-7/8	28-7/8	40-7/8	7	5-9/16	5	5-3/8	24	36-3/4
360	43-5/8	42	16	40	1/2	27-1/4	31-1/4	44-1/4	7	6-1/32	5	5-27/32	24	40-1/4

NOTE:
 ① NOT AVAILABLE ON ANY MODEL FOR DOWNBLAST, BOTTOM ANGULAR DOWN OR TOP ANGULAR DOWN DISCHARGE POSITIONS.
 DISCHARGE FLANGE IS STANDARD ON SIZES -270 THRU -360.