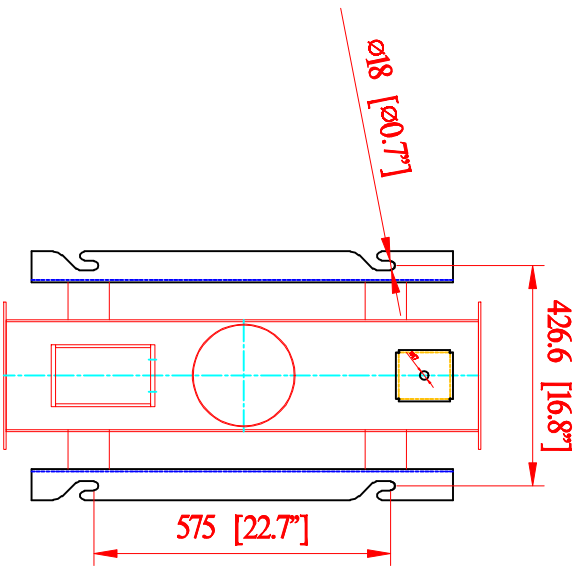
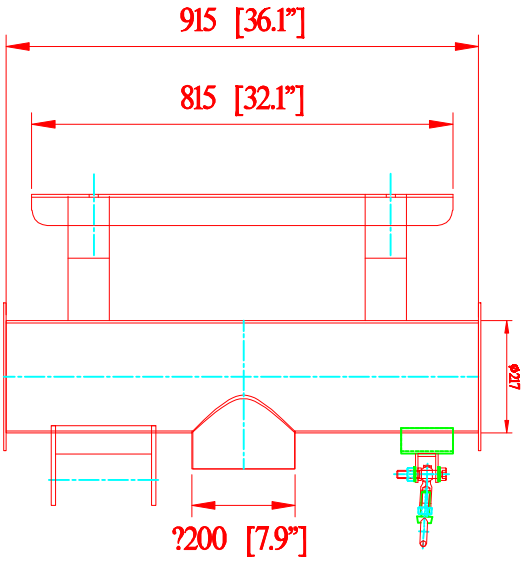
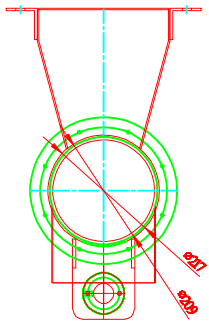


DO NOT SCALE

IF IN DOUBT ASK



Revisions		
Rev	Description	Approved



AVANI ENVIRONMENTAL INTL. INC. Sales Department

95 Cypress Drive

Youngsville, NC 27596

(919) 570-2862

Info@avanienvironmental.com

Date	Name
2009-06-28	***

Part Number:  
8" boom

Title:

Boom Base

Drawn by: 2009-06-28  
Checked by:  
The drawing, AutoCAD, 3-D Models, and specifications are the property of Avani Environmental Int'l. Inc. (A/E) and may not be reproduced, distributed, modified, or otherwise used, except provided herein, without the express written permission of A/E.

Size	Scale	Drawing Number:
A	1 = 2	AJP-A2-01