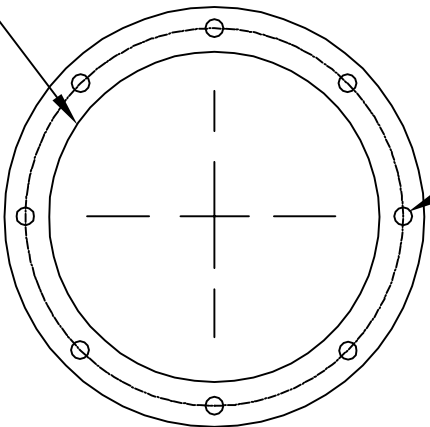
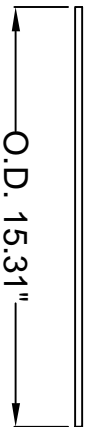


Ø.375" THRU HOLES
8 PLACES EVENLY SPACED
ON A 13.78" B.C.



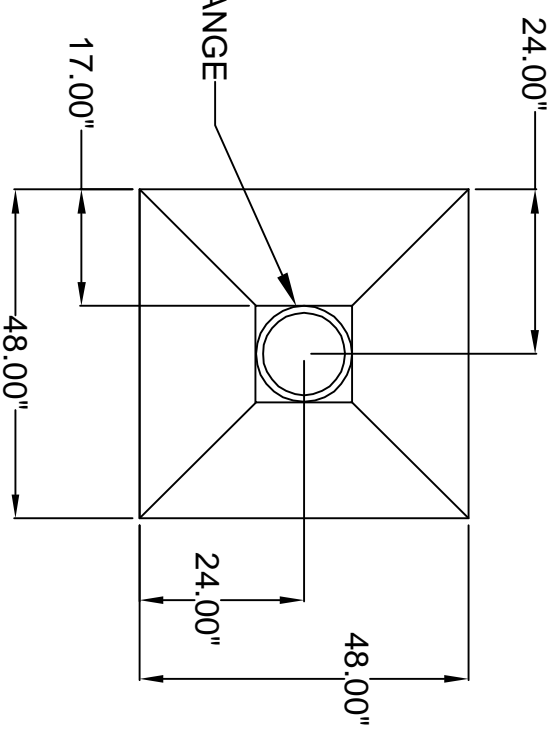
I.D. Ø12.05"



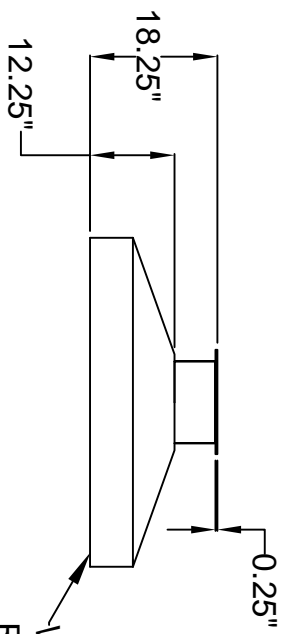
O.D. 15.31"

**FLANGE PATTERN
DETAIL (SCALE: 4 TO 1)**

SEE FLANGE
DETAIL



TOP VIEW



FRONT VIEW

WRAP ENDS TO
REMOVE SHARP
EDGES

This document was created with Win2PDF available at <http://www.win2pdf.com>.
The unregistered version of Win2PDF is for evaluation or non-commercial use only.
This page will not be added after purchasing Win2PDF.