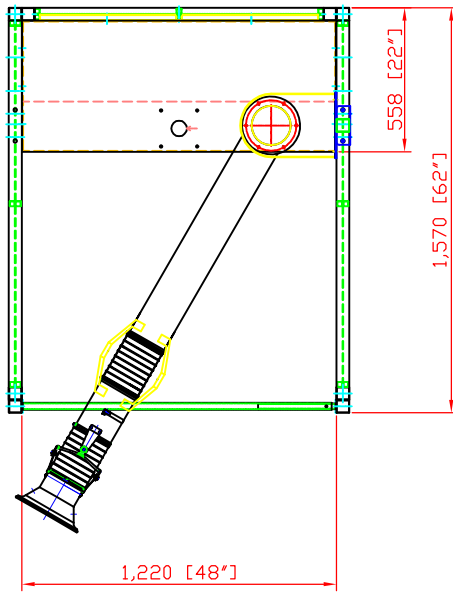




| Revisions | | | |
|-----------|-------------|------|----------|
| Rev | Description | Date | Approved |
| | | | |

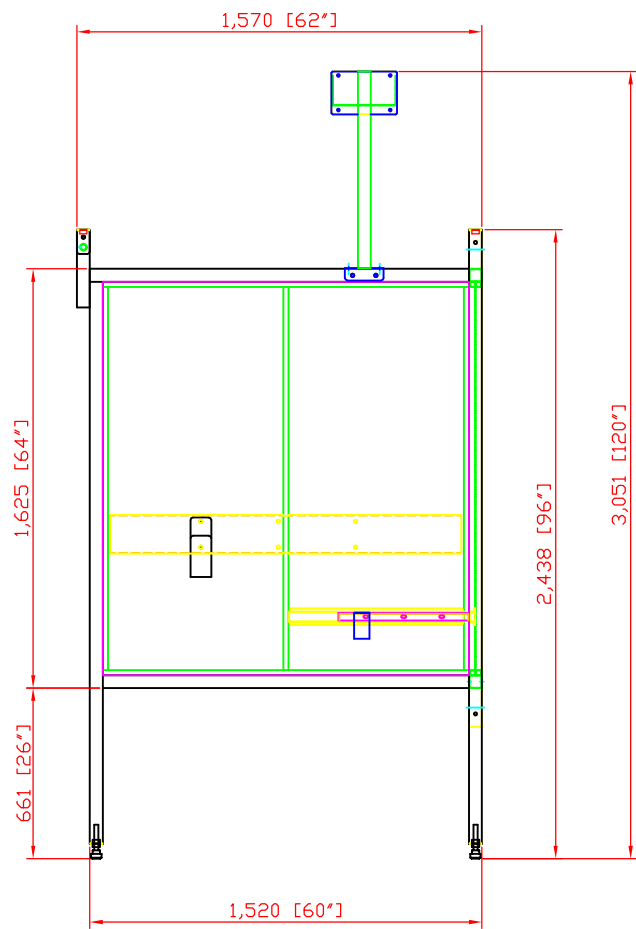
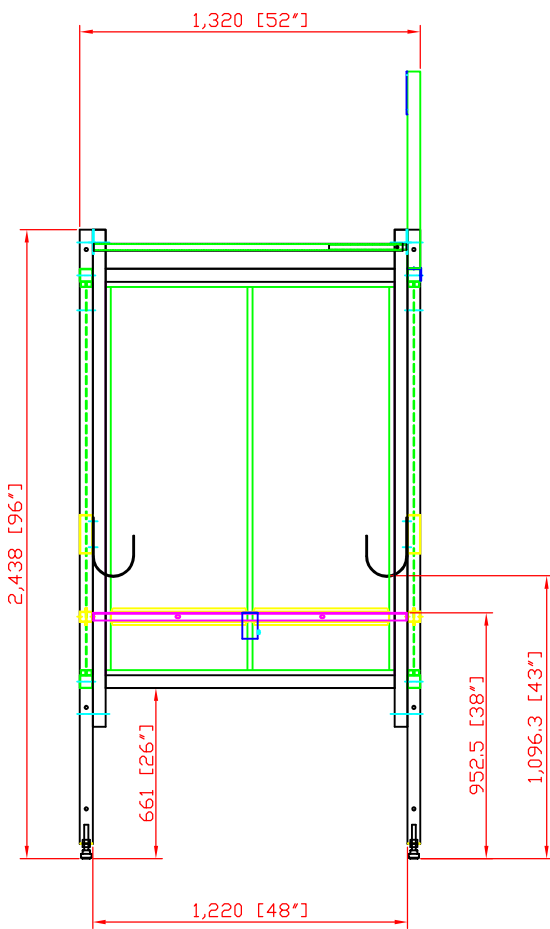


WB-1045 WELDING BOOTH SPECIFICATIONS

- Adjustable Level System: (4) dia. 2.36" Feet
- Panel Construction: 16-gauge welded steel
- Welding Curtain Supports: (1) set welding curtain bar
- Fume Arm Supports & Brackets: (1) bracket (6 bolt pattern) to match optional dia. 6" fume arm
- Powder Coated: Avani Safety Blue Standard (custom colors available)
- Three Piece Configuration: (2) side panels, (1) back panel.
- Booths can be mounted back-to-back, side-to-side or both options
- ***Backshelf: 48" x 20"

OPTIONS

- Welded Nuts: Optional locations for J-Hooks
- Welding Nuts: For wire feeder or welder bracket
- Fume Arm ARM 1020 shown in drawing



PRELIMINARY

AVANI ENVIRONMENTAL INTL. INC. Sales Department
 95 Cypress Drive
 Youngsville, NC 27596
 (919) 570-2862
 info@avanienvironmental.com

| | | | | |
|--|------------|------|--------------|-----------------------|
| Drawn by: | Date | Name | Part Number: | Title: |
| Checked by: | 2015-04-27 | *** | REVISION A | WB-1045 Welding Booth |
| The drawings, AutoCAD, 3-D Models, and specifications are the property of Avani Environmental Intl. Inc. (AE) and may not be reproduced, distributed, modified, or otherwise used, except provided herein, without the express written permission of AE. | | | Size | Scale |
| | | | B | 1 = 25 |

Drawing Number:
 Natrona H/S WB-1045
 Page 1 of 1