



REPRESENTED BY:

TODD AIR SOLUTIONS
101 E FISHER ST, 3rd FLOOR
SALISBURY NC 28144
Phone: 704 630-1101
Fax: 704 630-0528

DRAWING SUBMITTAL

CUSTOMER:

AVANI ENVIRONMENTAL
PO BOX 1279
YOUNGSVILLE, NC 27596

DATE: 6/11/2012

ATTENTION: Ms. Dianna Mangum
P.O. # 4699
CFV # 1207186
REPRESENTATIVE ORDER # CFQ# 216295

 X REFERENCE APPROVAL CORRECTION

QTY.	DRAWING NO.	DESCRIPTION
	- - - -	SPECIFICATION SHEET
	PB12A4HM-SHT 26	MODEL PB-12A
	27062	FLANGES
	FGSGD	SLIDE GATE DAMPER

REMARKS: 2D CAD FILE ALSO INCLUDED.



SPECIFICATION SHEET

CFV NO. 1207186	CUSTOMER ID NUMBER 3566220	PAGE 1	
S O L D	AVANI ENVIRONMENTAL PO BOX 1279 YOUNGSVILLE, NC 27596	S H I P	ACME MACHINE & WELDING CO. 46 ANCHOR INN ROAD ATTN: PO 53240 PUNXSUTAWNEY, PA 15767-0899
T O		T O	
	CUSTOMER P.O. NUMBER 4699	BUYER Ms. Dianna Mangum	REQUESTED SHIP DATE 6/15/12

MARKS

4699

SHIP VIA Pitt Ohio/Estes/Con-way				REPRESENTATIVE TODD AIR SOLUTIONS				REP. ORDER NO. CFQ# 216295		SHIPPING CHARGES Prepaid & Add	
QTY. 3	DESCRIPTION PRESSURE BLOWER				MODEL PB-12A	ROT CW	DISCH BH 4HM	ARR 11-1/2x2-7/8	WHEEL/PROP 7	INLET	
MOTOR DATA	HP 3	RPM 3500	PH 3	CYCLE 60	VOLTAGE See below	FRAME 182T	ENCLOSURE TEFC	SUPPLIED BY CFV	INSTALLED BY CFV		
	SPECIAL MOTOR FEATURES 3745004T								GROOVES	FXD/ADJ	BELT
FAN DATA	DENSITY .075	TEMP. 70 °F.	ALTITUDE	CFM 800	SP 6.000	RPM 3500	BHP 1.770	MOTOR SHEAVE		BUSHING	
AT OPERATING CONDITIONS											
MOTOR VENDOR MODEL NUMBER NP0032								FAN SHEAVE		BUSHING	

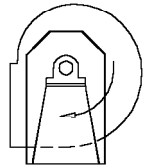
Record Print, 2D CAD Drawings

Complete Motor Description:

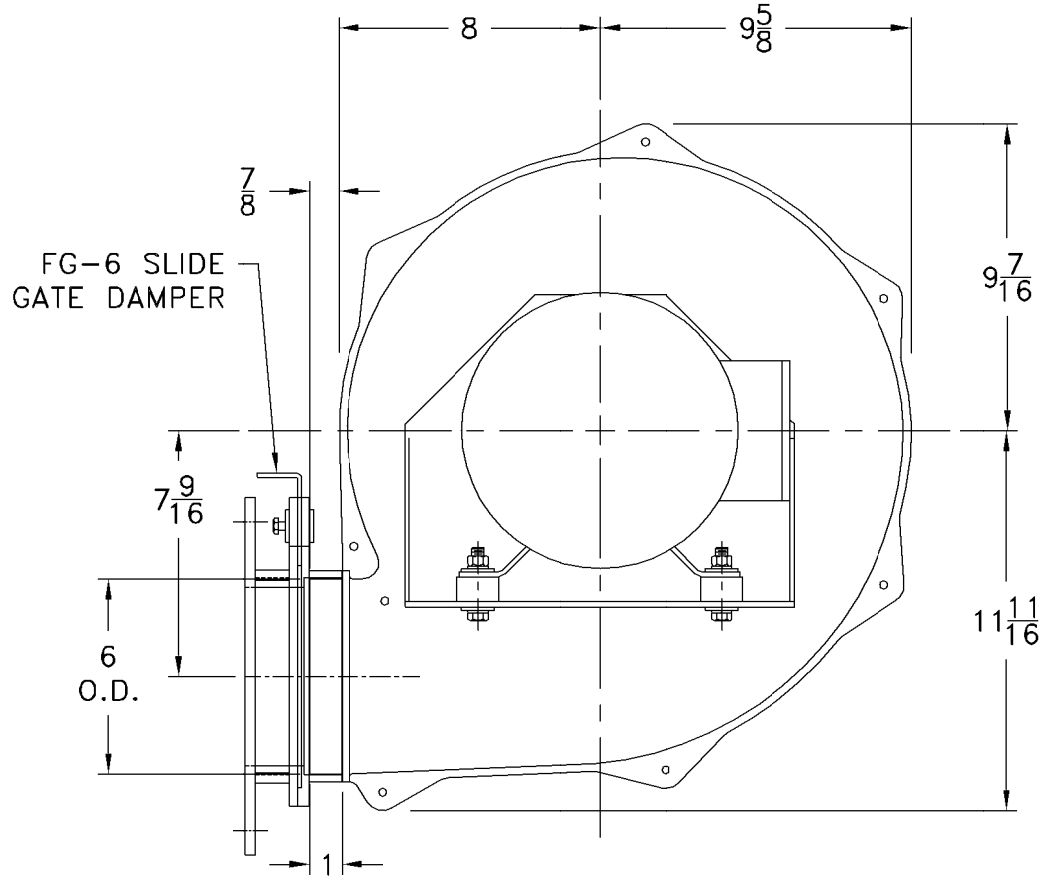
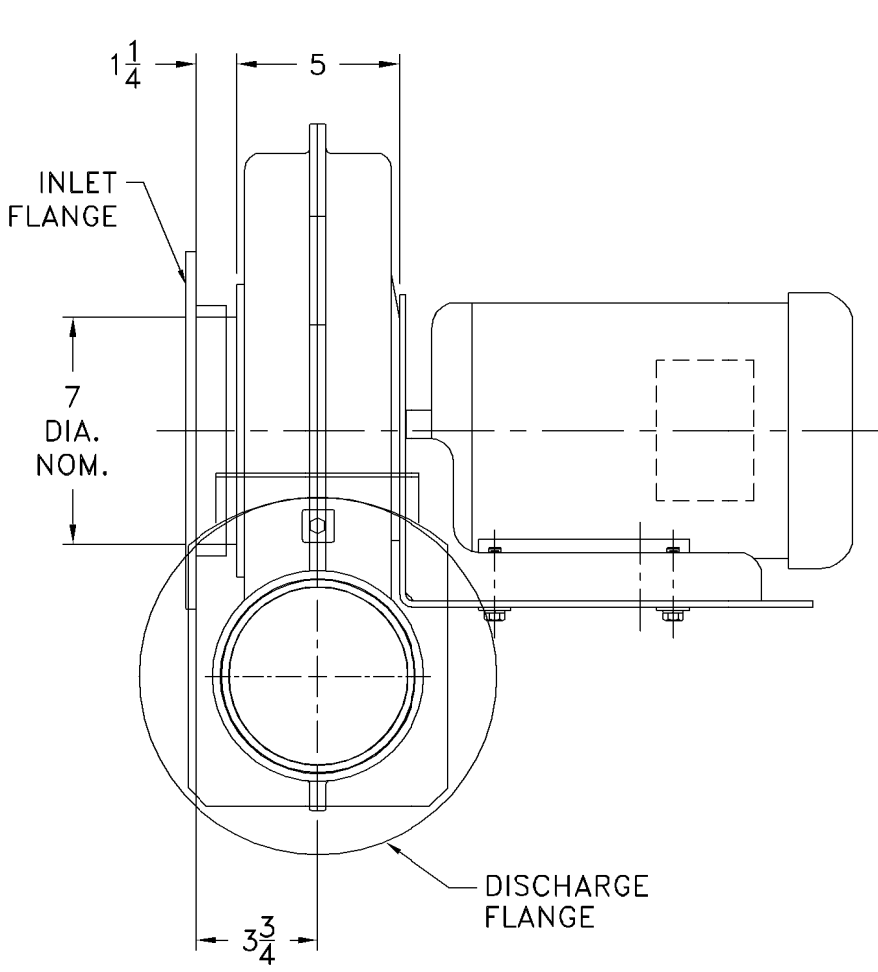
MTR, 3 HP, 2850/3450 RPM, 3PH, 50/60Hz, 190/380/50 & 230/460/60, TEFC, Prem Eff, FM, 182T, 1.15 SF, F Insul., 40C Amb., Double Shielded Bearings, F1 Box, Conduit box ground screw, Stainless Nameplate, Cast Iron Frame, CE, 3 HP & 1.00 SF ON 50 HZ., IE2 ON 50 HZ., MAX-PE TYPE, TECO

Estimated Shipping Weight: 193 pounds
 FG-6 SLIDE DAMPER MOUNTED ON DISCHARGE
 DRILL DISCHARGE FLANGE STANDARD BOLT CIRCLE ON-CENTERS
 DRILL INLET FLANGE STANDARD BOLT CIRCLE ON-CENTERS
 TEFLON SHAFT SEAL

Submittal Email: dmangum@avanienvironmental.com



CW BH

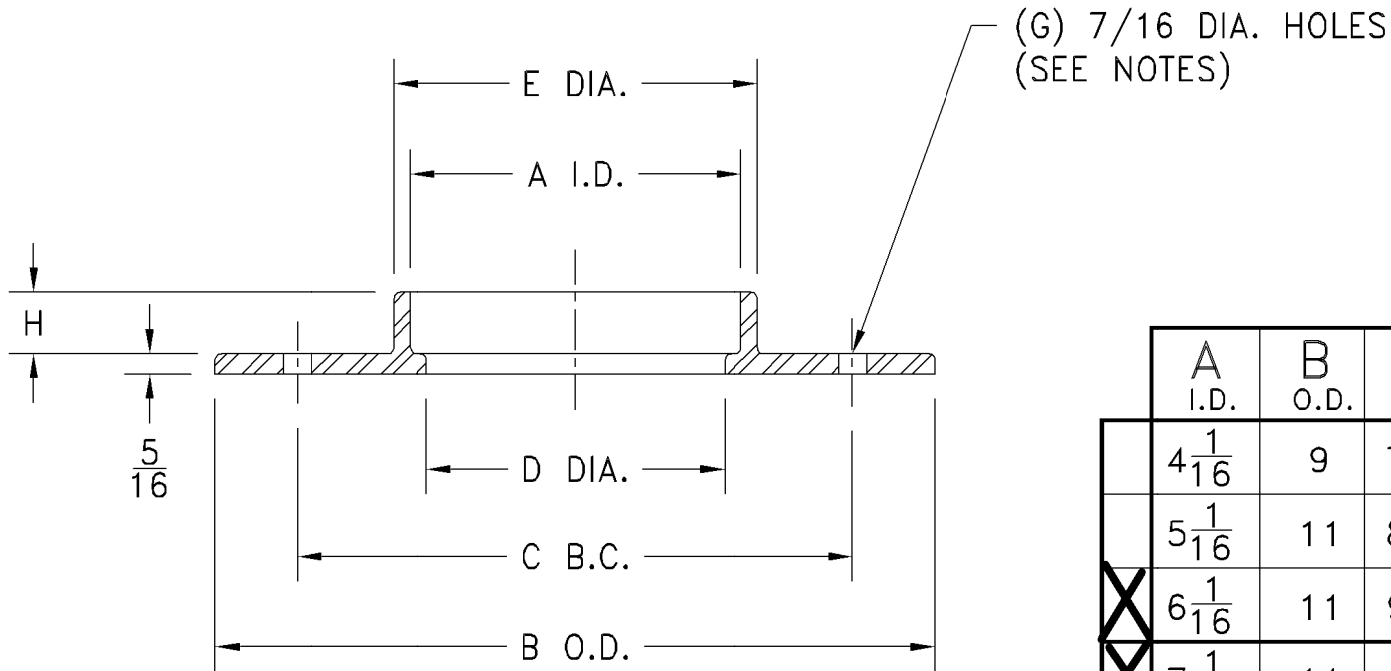


CW BOTTOM HORIZONTAL DISCHARGE SHOWN

NOTES:

1. 182T-184T MOTOR FRAME.
2. SEE DRAWING A27062 FOR OPTIONAL FLANGES.

				SUPERSEDES:		TOLERANCES: FRACTIONS ± 1/8 ANGLES: ± 1° DECIMALS: X.XXX = ±0.005 X.XX = ±0.060 X.X = ±0.120		SCALE: FULL IN CAD		cincinnati fan 7697 SNIDER ROAD MASON, OHIO 45040	
				SIMILAR TO:		ALL DIMENSIONS IN INCHES UNLESS OTHERWISE SPECIFIED		DATE: 07/09/09			
2		ADDED DISCHARGE FLANGE ON DAMPER		6/11/12		LG		DR. BY: LG		PB-12A ARR. 4HM CW BH	
1		ADDED WEATHER HOOD OPTION LAYER		5/31/12		JH		CHK. BY:			
NO.		DESCRIPTION		DATE		INITIALS		MATERIAL:		ASSEMBLY	
		REVISIONS								DRAWING NO.	
										A PB12A4HM	
										SHEET 26 of 2 REV. 2	



	A I.D.	B O.D.	C B.C.	D DIA.	E DIA.	H	G QTY.
	$4\frac{1}{16}$	9	$7\frac{1}{2}$	$3\frac{11}{16}$	$4\frac{9}{16}$	$\frac{15}{16}$	4
	$5\frac{1}{16}$	11	$8\frac{1}{2}$	$4\frac{9}{16}$	$5\frac{9}{16}$	$\frac{15}{16}$	4
X	$6\frac{1}{16}$	11	$9\frac{1}{2}$	$5\frac{1}{2}$	$6\frac{9}{16}$	$1\frac{1}{16}$	4
X	$7\frac{1}{16}$	11	9	$6\frac{7}{16}$	$7\frac{11}{16}$	$\frac{15}{16}$	8
	$8\frac{1}{16}$	$13\frac{1}{2}$	$11\frac{3}{4}$	$7\frac{1}{2}$	$8\frac{5}{8}$	1	8
	$10\frac{1}{16}$	16	$14\frac{1}{4}$	$9\frac{11}{16}$	$10\frac{9}{16}$	1	8

NOTES:

STANDARD FLANGES PROVIDED WITHOUT HOLES.

OPTIONS:

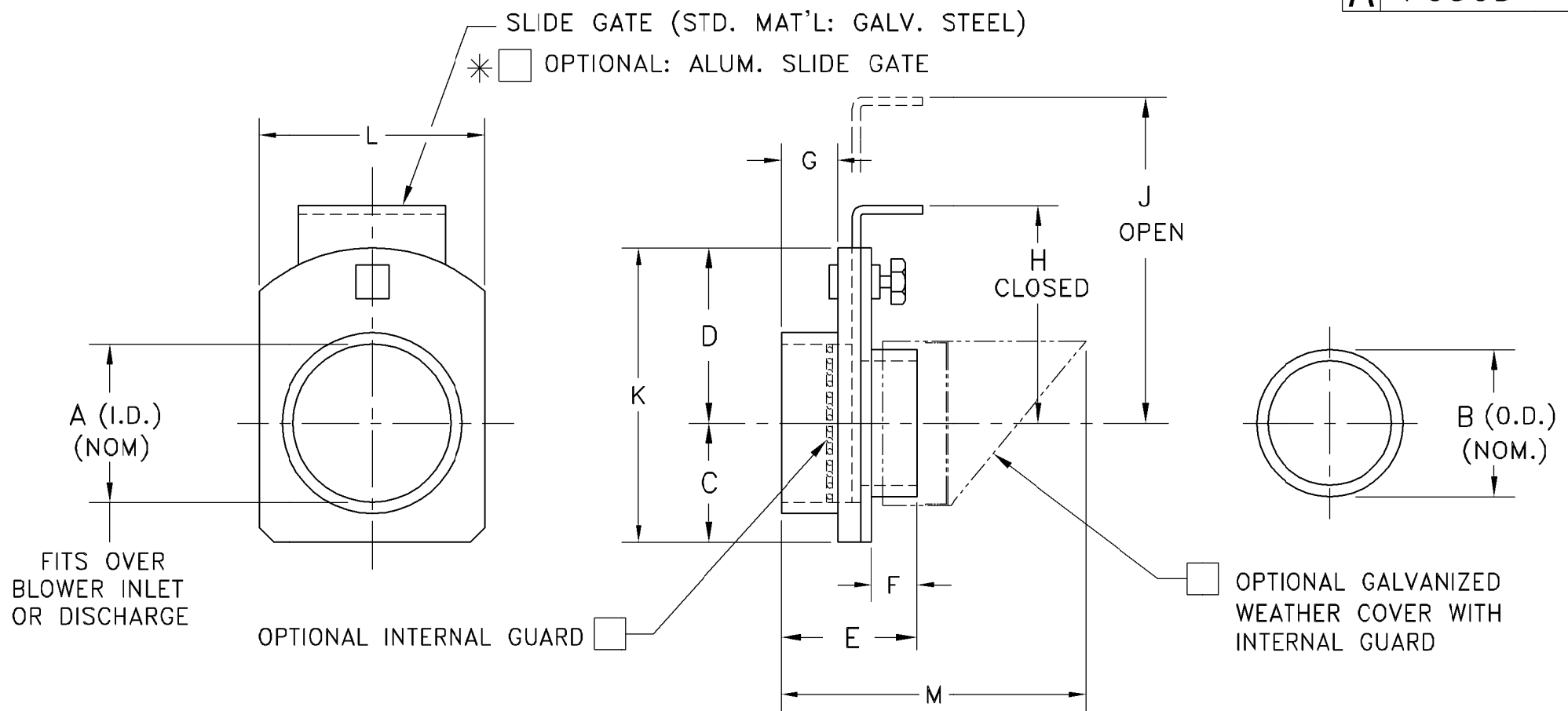
HOLES PROVIDED, ON VERTICAL CENTERLINE
(CFV STANDARD LOCATION)

HOLES PROVIDED, STRADDLING CENTERLINE

TOLERANCES:

CAST DIMENSIONS (A, B, D, E, H) $\pm 3/32$

MACHINED DIMENSIONS (C, FLANGE HOLE DIA.) $\pm 1/16$



	MODEL	A ^{I.D.}	B ^{O.D.}	C	D	E	F	G	H	J	K	L	M
	FG-4	4-1/16	3-15/16	3-1/4	4-1/2	2-11/16	1	1-1/16	5-5/8	9	7-3/4	6	7-3/8
	FG-5	5-1/16	4-15/16	3-1/2	5-1/2	2-9/16	1-3/32	7/8	6-1/8	10-1/2	9	7	8-1/4
X	FG-6	6-1/16	5-15/16	4	5-1/2	2-11/16	1-1/16	1	6-1/4	11-1/2	9-1/2	8	9-1/4
	FG-7	7-1/16	6-15/16	4-1/2	5-1/2	2-7/8	1-1/8	1-1/8	6-1/4	12-1/2	10	9	10-1/2
	FG-8	8-1/16	7-15/16	5	6-3/4	2-13/16	1	1-3/16	7-3/4	15	11-3/4	10	11-9/16
	FG-10	10-1/16	9-15/16	6	8	3-1/16	1-5/16	1	9	18-1/2	14	12	13-1/2

* WITH ALUM. SLIDE GATE, ADD "A" SUFFIX TO MODEL NO.