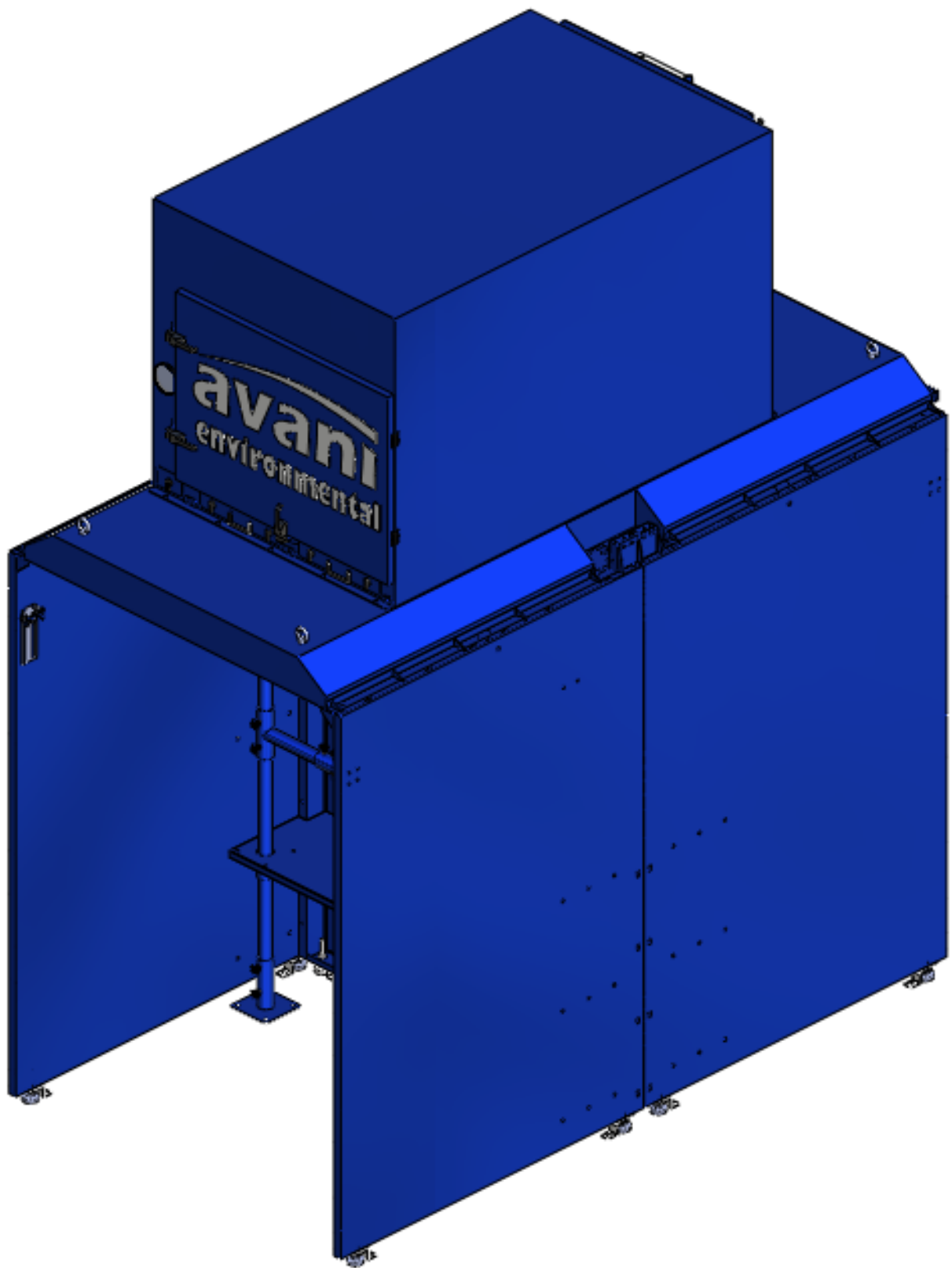




✚ Installations for WB-6055 (booth back to back).



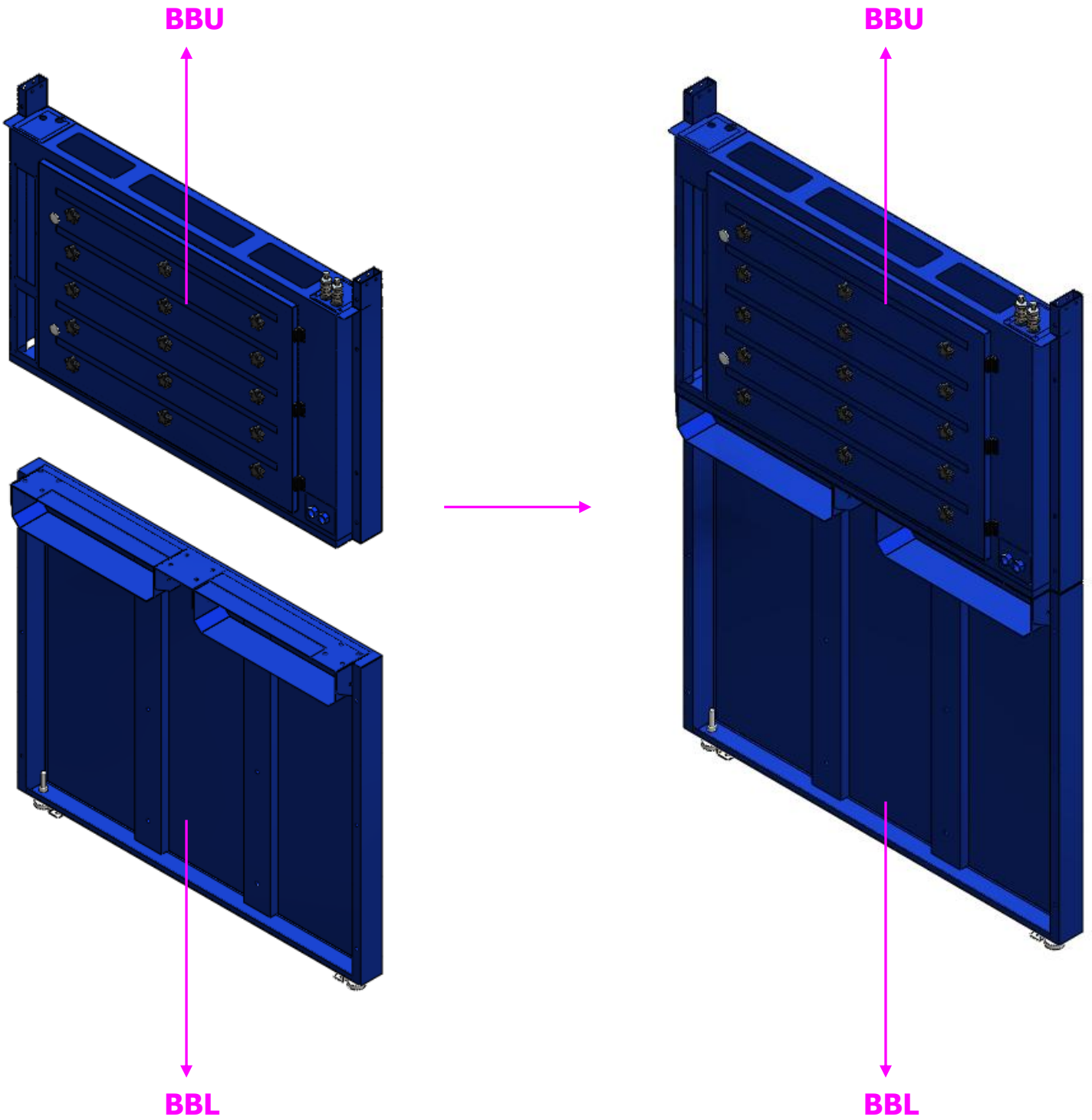
✚ Installations for WB-6055 (booth back to back).

- Take out the number: **BBU** and **BBL**.
- Join **BBU** and **BBL** together with:

Hardware M				
Part name	Description	Photos	Q'ty	Grainger Model #
Hex Screw	5/16 x 3/4"		12	1YU33
Flat Washer	5/16" x OD23 x 2T		12	*1JY31




(* Hardware item at similar spec available locally.

✚ Installations for WB-6055 (booth back to back).



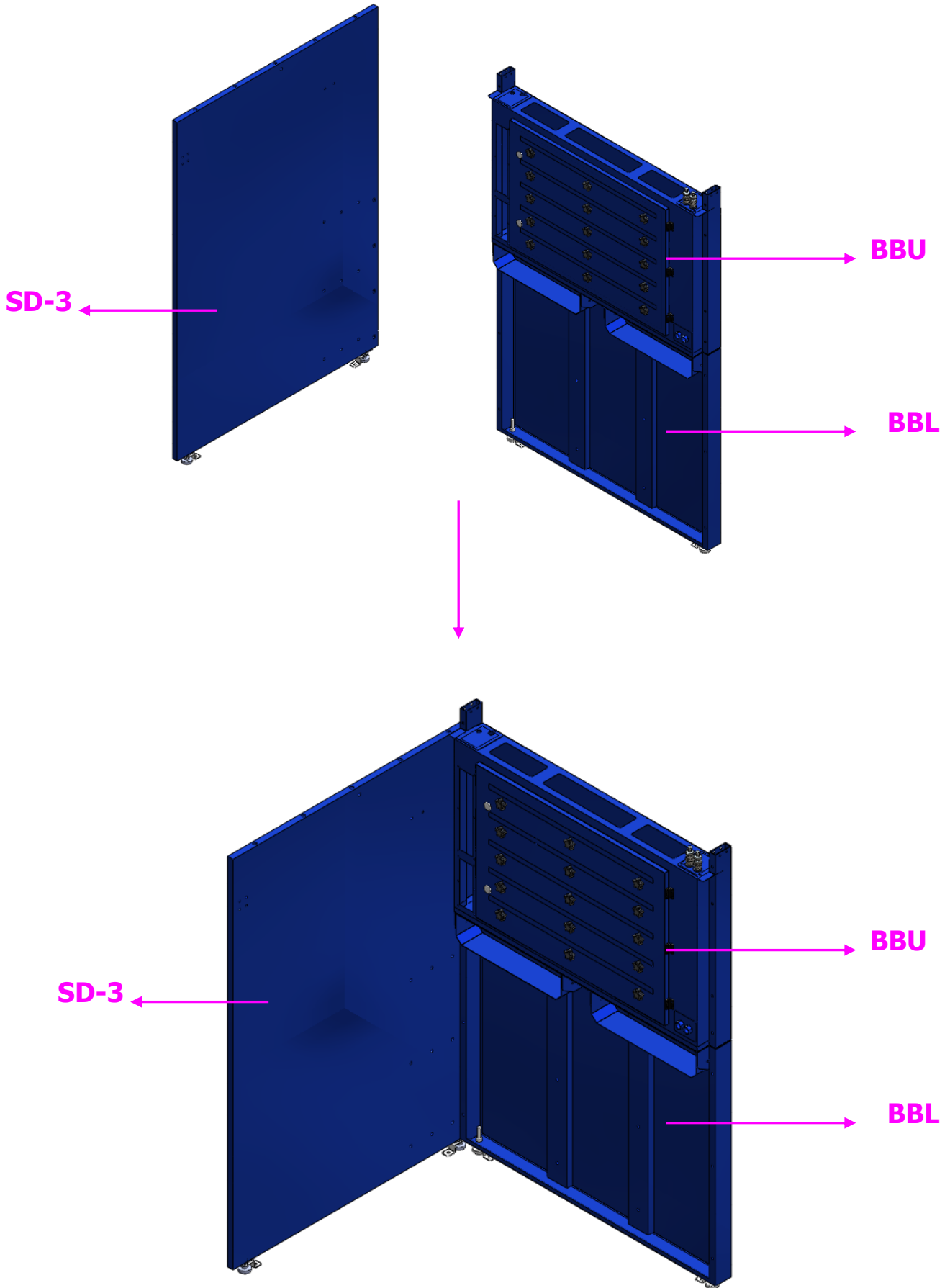
✚ Installations for WB-6055 (booth back to back).

- Take out the number: **SDC-3**.
- Fasten **SDC-3** to **BBU** and **BBL** together with:

Hardware C				
Part name	Description	Photos	Q'ty	Grainger Model #
Hex Screw (Partially Threaded)	3/8 x 4"		8	1KA62
Flat Washer	3/8" x OD23 x 2T		16	*1JY33
Nylon Hex Nut	3/8"		8	3HDU4




(* Hardware item at similar spec available locally.

Installations for WB-6055 (booth back to back).

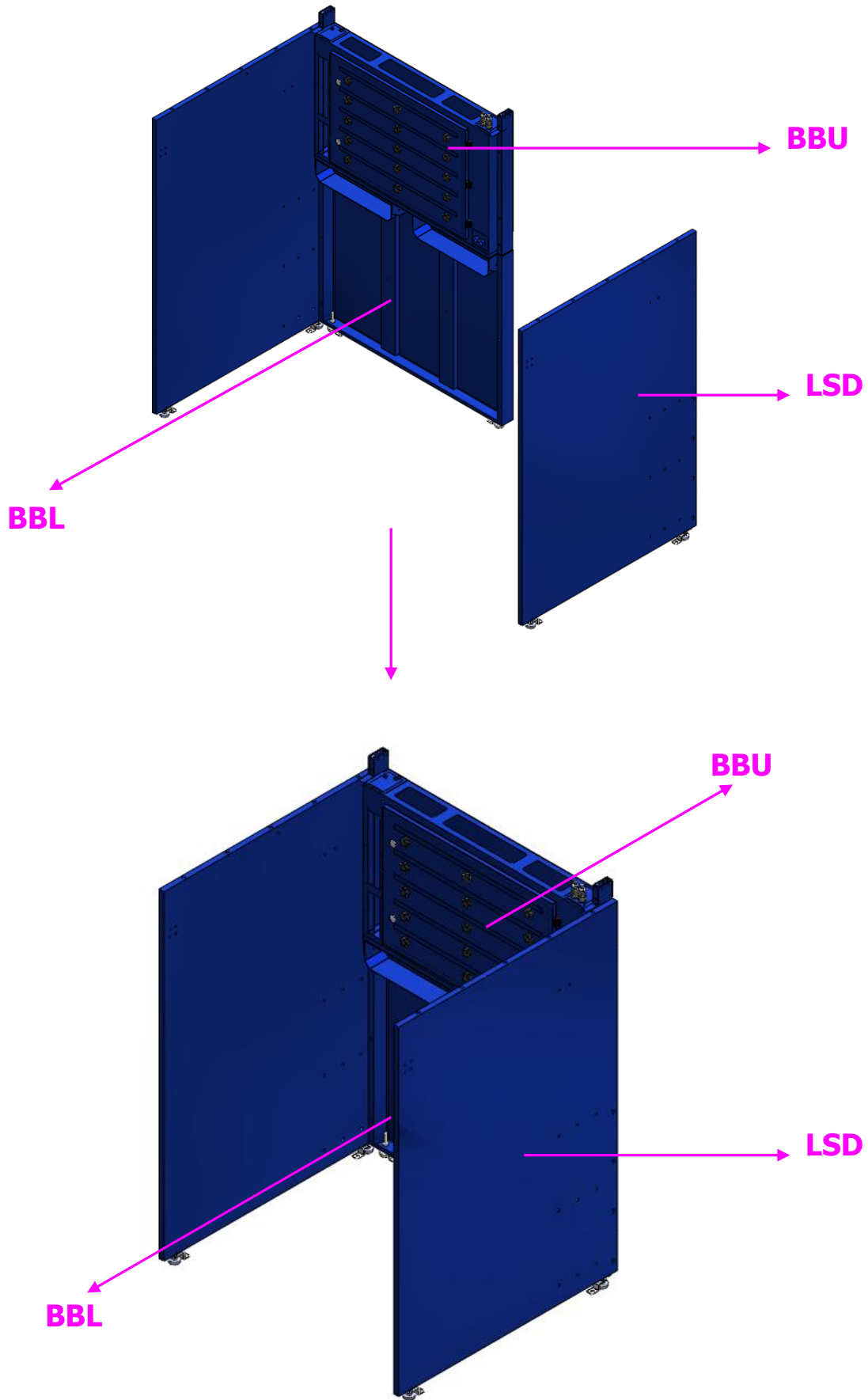


✚ Installations for WB-6055 (booth back to back).

- Take out the number: **LSD**.
- Fasten **LSD** to **BBU** and **BBL** together with:

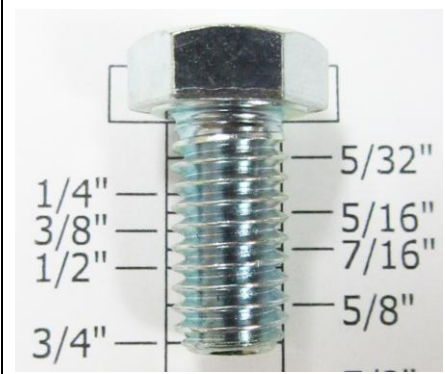



Hardware D				
Part name	Description	Photos	Q'ty	Grainger Model #
Hex Screw (Partially Threaded)	3/8 x 4"		8	1KA62
Flat Washer	3/8" x OD23 x 2T		16	*1JY33
Nylon Hex Nut	3/8"		8	3HDU4

✦ Installations for WB-6055 (booth back to back).



✚ Installations for WB-6055 (booth back to back).

- Take out the number: **FBL**.
- Fasten **FBL** adjacent to **SD-3** with:

Hardware A				
Part name	Description	Photos	Q'ty	Grainger Model #
Hex Screw	3/8 x 3/4"		1	1YU42
Flat Washer	3/8" x OD23 x 2T		1	*1JY33
Hex Screw	5/16 x 3/4"		1	1YU33
Flat Washer	5/16" x OD23 x 2T		1	*1JY31

(* Hardware item at similar spec available locally.

✚ Installations for WB-6055 (booth back to back).

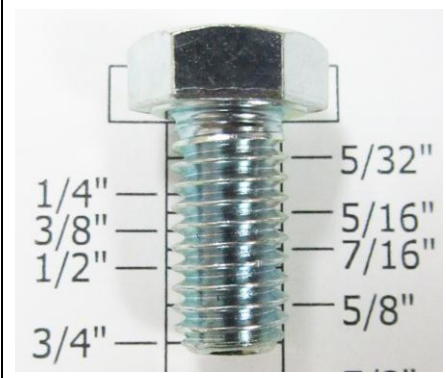

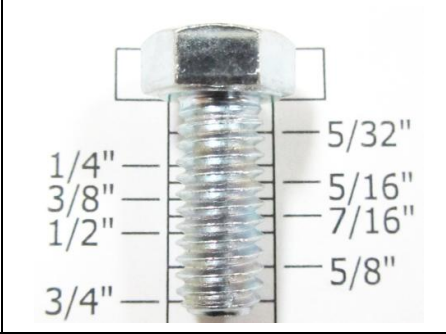

- Fasten **FBL** adjacent to **BBU** with:

Hardware A				
Part name	Description	Photos	Q'ty	Grainger Model #
Hex Screw	3/8 x 2-1/2"		2	1YU47
Flat Washer	3/8" x OD23 x 2T		4	*1JY33
Nylon Hex Nut	3/8"		2	3HDU4

(* Hardware item at similar spec available locally.

✚ Installations for WB-6055 (booth back to back).




- Take out the number: **FBR**.
- Fasten **FBR** adjacent to **LSD** with:

Hardware B				
Part name	Description	Photos	Q'ty	Grainger Model #
Hex Screw	3/8 x 3/4"		1	1YU42
Flat Washer	3/8" x OD23 x 2T		1	*1JY33
Hex Screw	5/16 x 3/4"		1	1YU33
Flat Washer	5/16" x OD23 x 2T		1	*1JY31

(* Hardware item at similar spec available locally.

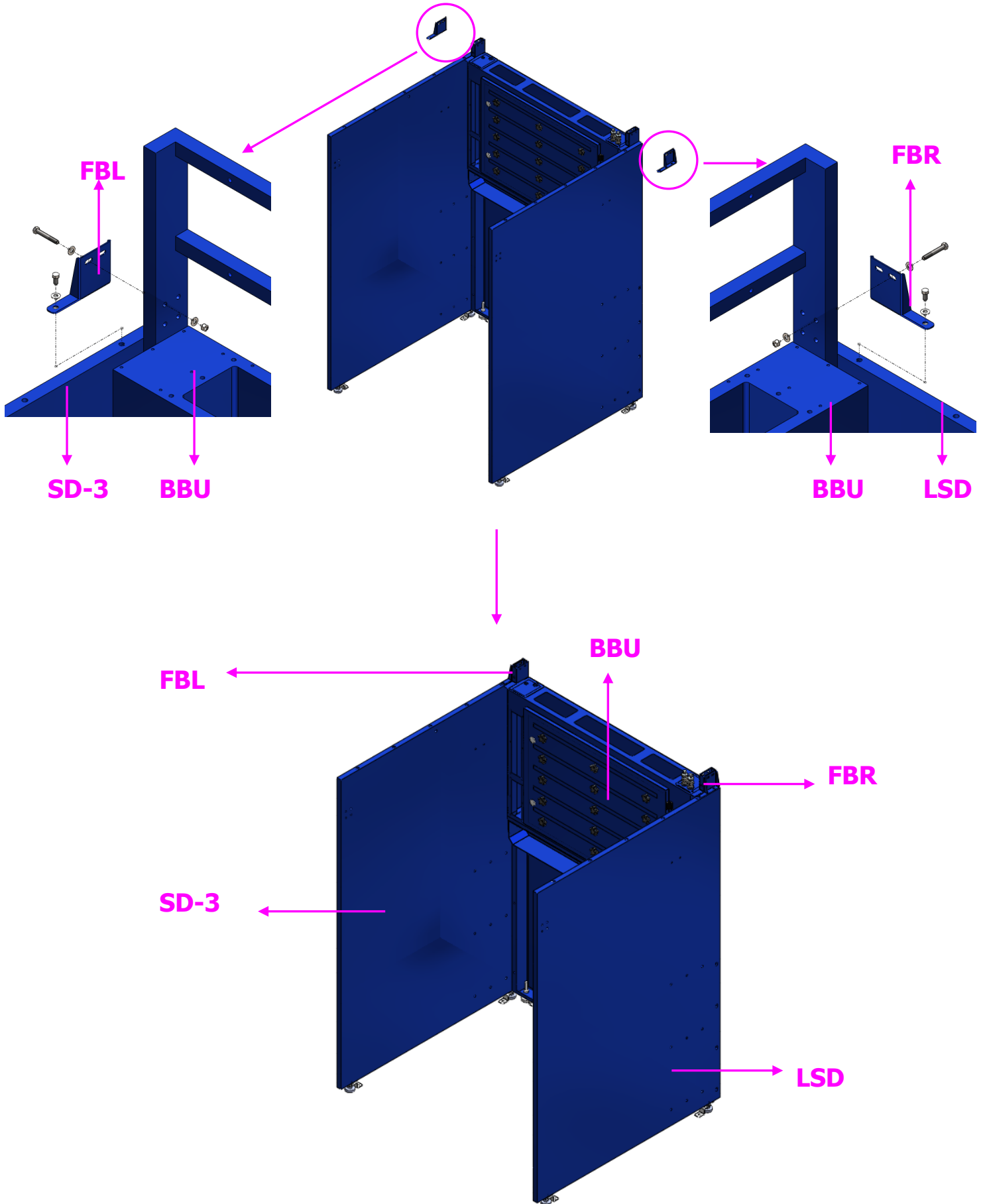
✚ Installations for WB-6055 (booth back to back).

- Fasten **FBR** adjacent to **BBU** with:

Hardware B				
Part name	Description	Photos	Q'ty	Grainger Model #
Hex Screw	3/8 x 2-1/2"		2	1YU47
Flat Washer	3/8" x OD23 x 2T		4	*1JY33
Nylon Hex Nut	3/8"		2	3HDU4



(* Hardware item at similar spec available locally.

Installations for WB-6055 (booth back to back).



✚ Installations for WB-6055 (booth back to back).



- Take out the number: **LSPJ**.
- Fasten **LSPJ** to **LSD** with:

Hardware E				
Part name	Description	Photos	Q'ty	Grainger Model #
Hex Screw	5/16 x 3/4"		1	1YU33
Flat Washer	5/16" x OD23 x 2T		1	*1JY31

(* Hardware item at similar spec available locally.

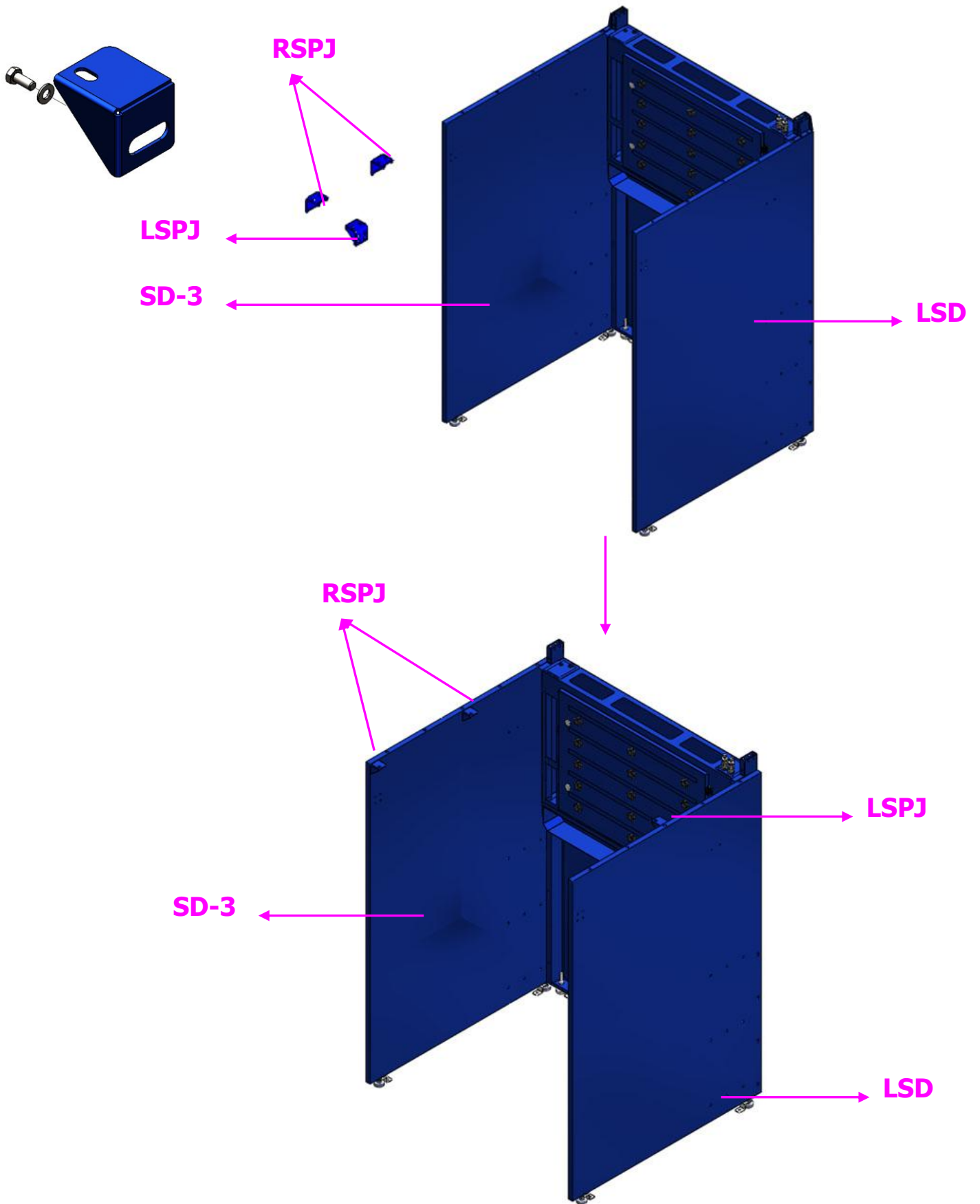
✚ Installations for WB-6055 (booth back to back).

- Take out the number: **RSPJ**.
- Fasten **RSPJ** to **SD-3** with:

Hardware F				
Part name	Description	Photos	Q'ty	Grainger Model #
Hex Screw	5/16 x 3/4"		2	1YU33
Flat Washer	5/16" x OD23 x 2T		2	*1JY31



(* Hardware item at similar spec available locally.

Installations for WB-6055 (booth back to back).



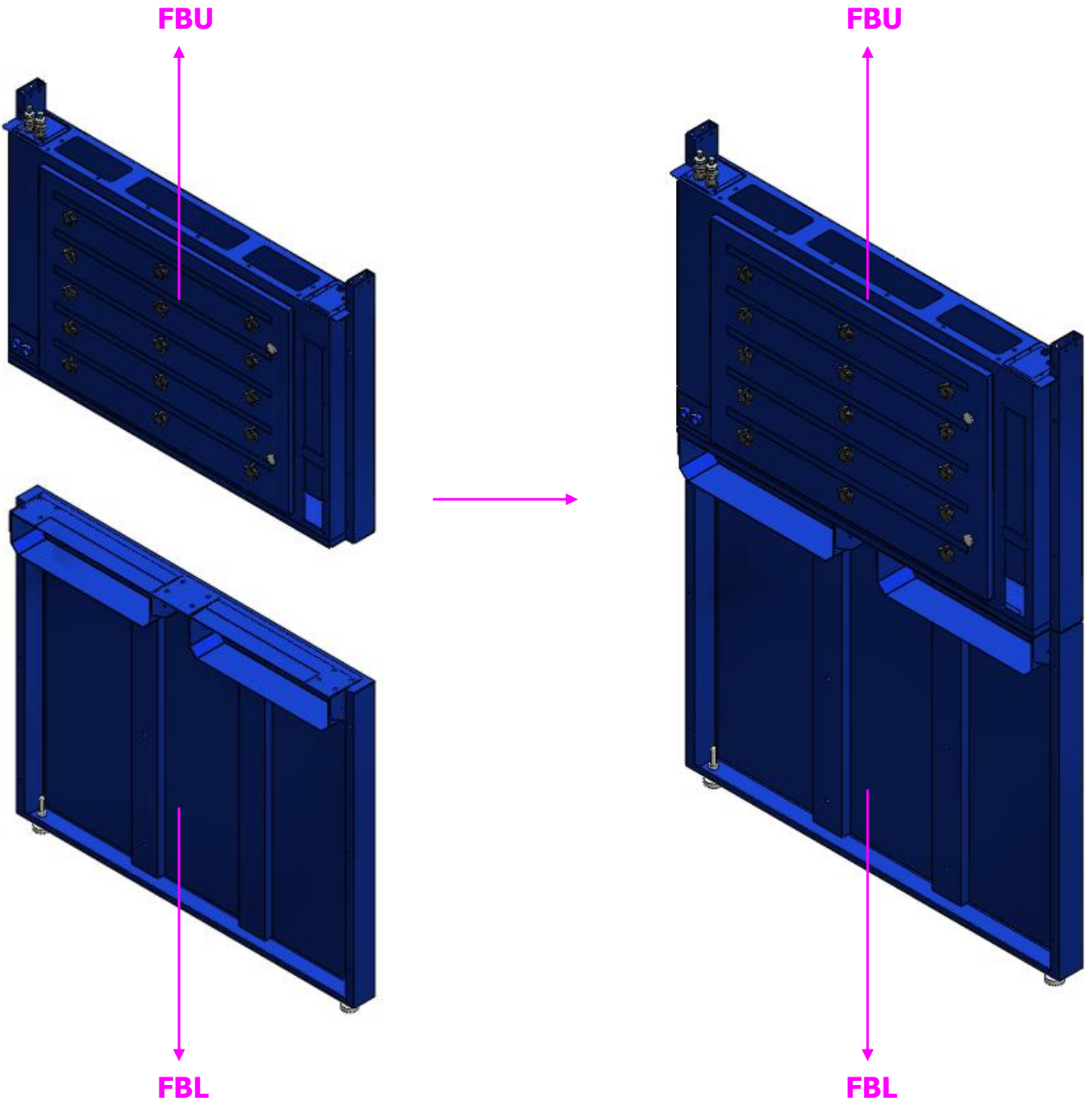
✚ Installations for WB-6055 (booth back to back).

- Take out the number: **FBU** and **FBL**.
- Join **FBU** and **BBL** together with:

Hardware M				
Part name	Description	Photos	Q'ty	Grainger Model #
Hex Screw	5/16 x 3/4"		12	1YU33
Flat Washer	5/16" x OD23 x 2T		12	*1JY31

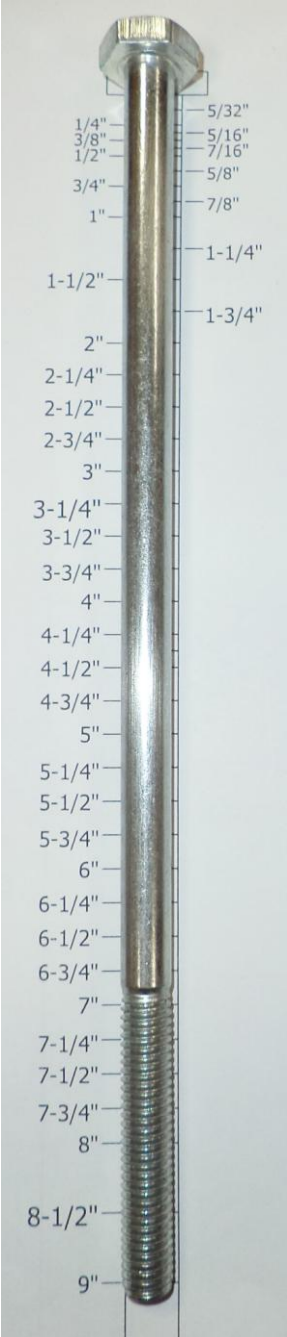
(* Hardware item at similar spec available locally.

✚ Installations for WB-6055 (booth back to back).



✚ Installations for WB-6055 (booth back to back).

- Fasten **FBU** and **FBL** to **BBU** and **BBL** with :

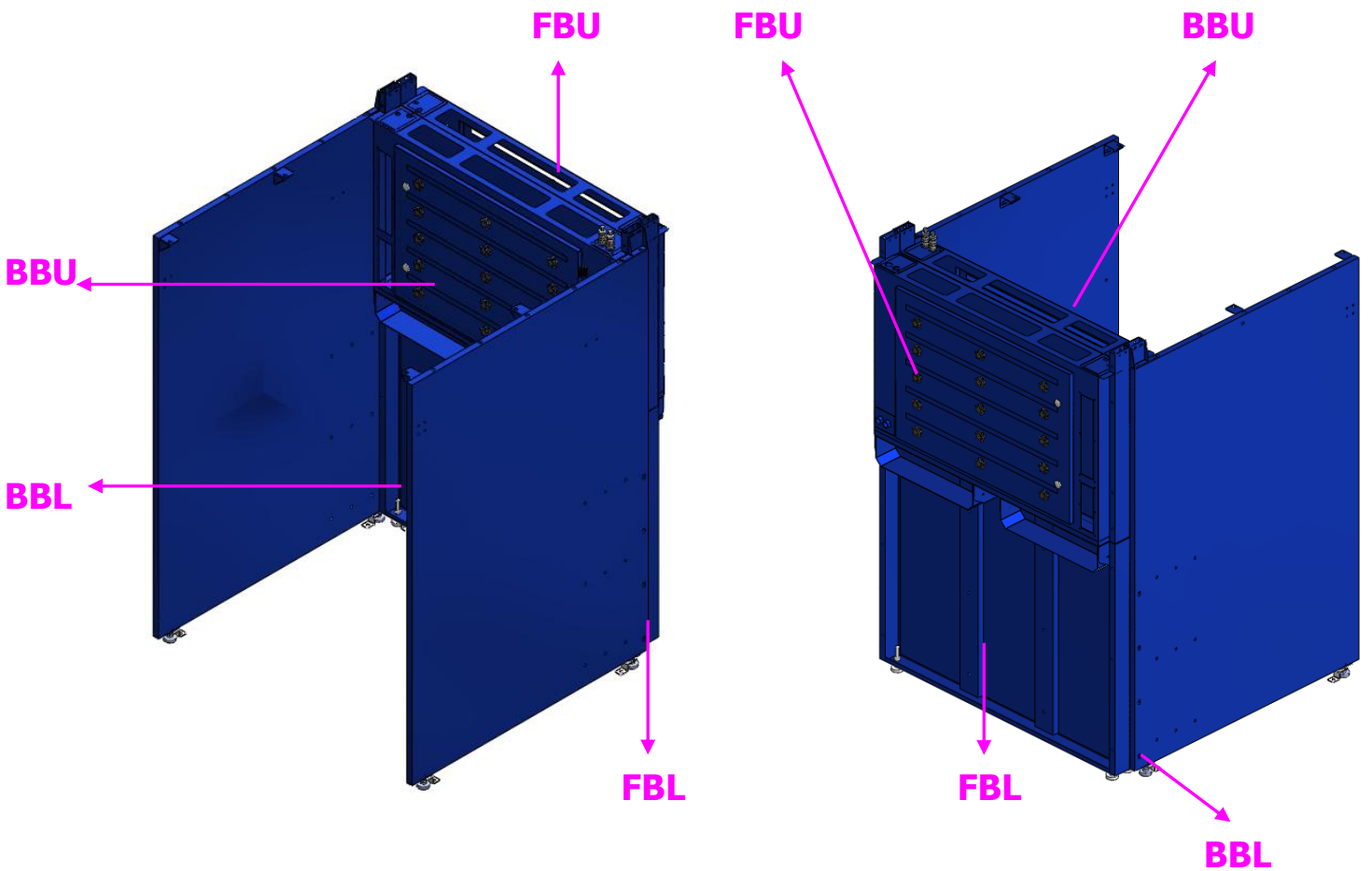
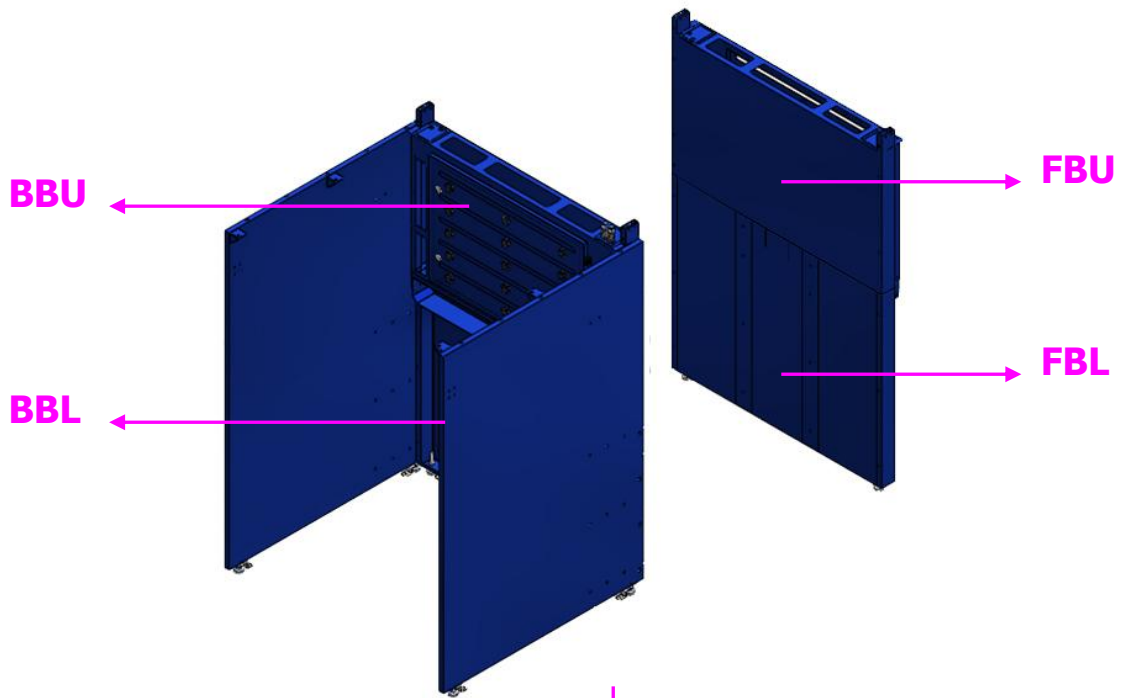
Hardware M				
Part name	Description	Photos	Q'ty	Grainger Model #
Hex Screw (Partially Threaded)	3/8 x 9"		14	4RUH1

✦ Installations for WB-6055 (booth back to back).

Flat Washer	3/8" x OD23 x 2T		28	*1JY33
Nylon Hex Nut	3/8"		14	3HDU4




(* Hardware item at similar spec available locally.

✦ Installations for WB-6055 (booth back to back).



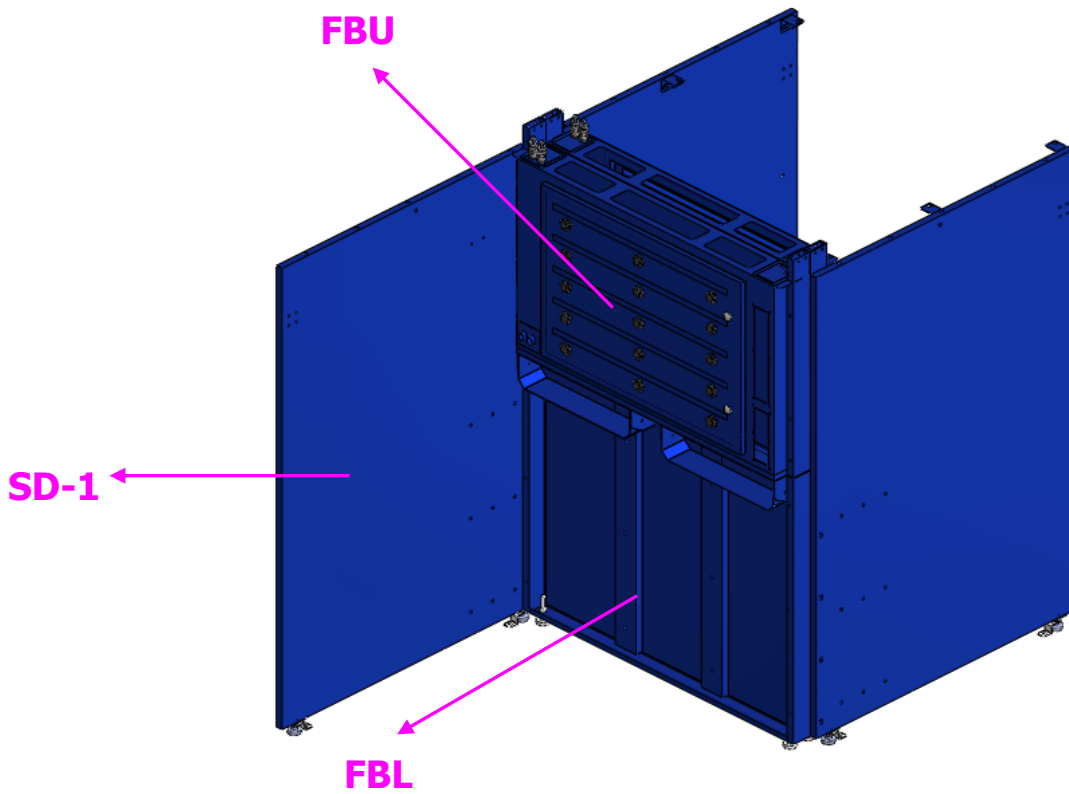
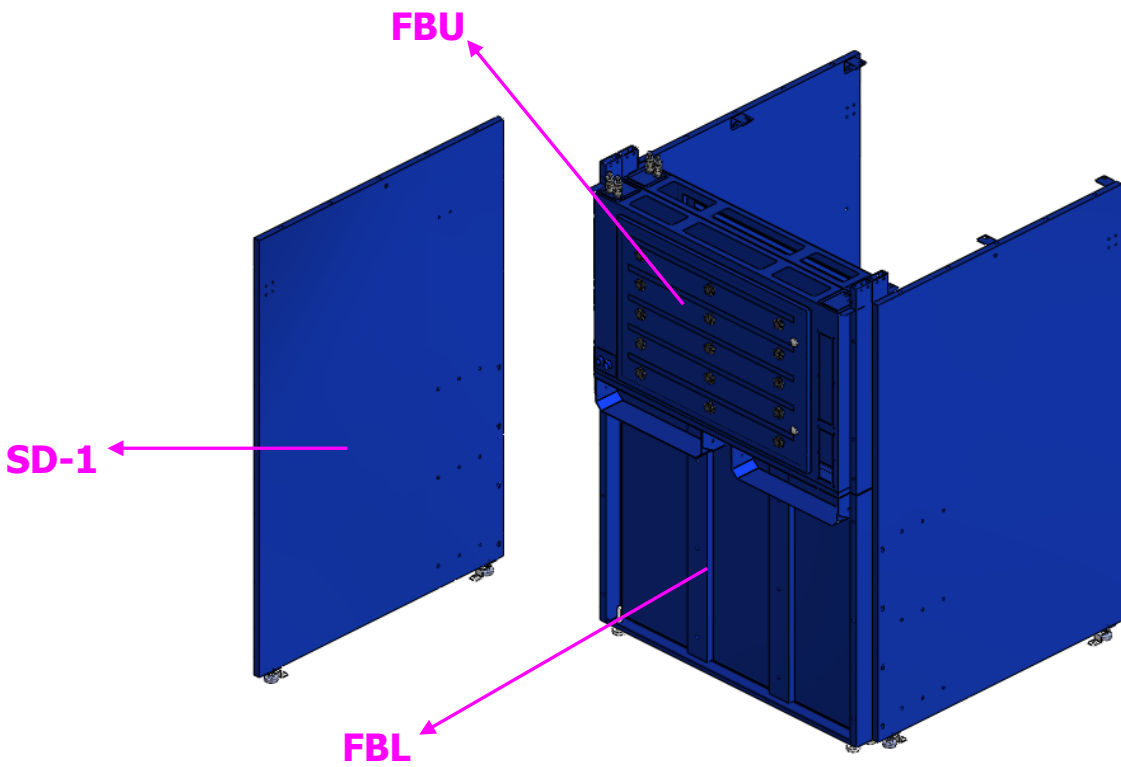
✚ Installations for WB-6055 (booth back to back).

- Take out the number: **SD-1**.
- Fasten **SD-1** to **FBU** and **FBL** together with:

Hardware C				
Part name	Description	Photos	Q'ty	Grainger Model #
Hex Screw (Partially Threaded)	3/8 x 4"		8	1KA62
Flat Washer	3/8" x OD23 x 2T		16	*1JY33
Nylon Hex Nut	3/8"		8	3HDU4

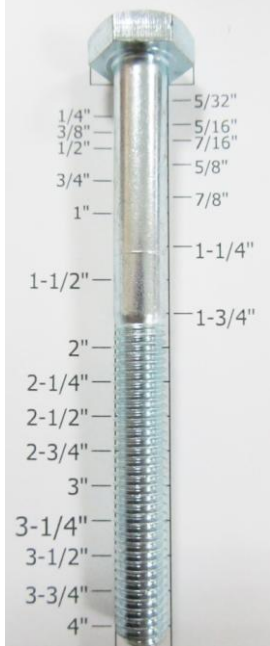


(* Hardware item at similar spec available locally.

✚ Installations for WB-6055 (booth back to back).

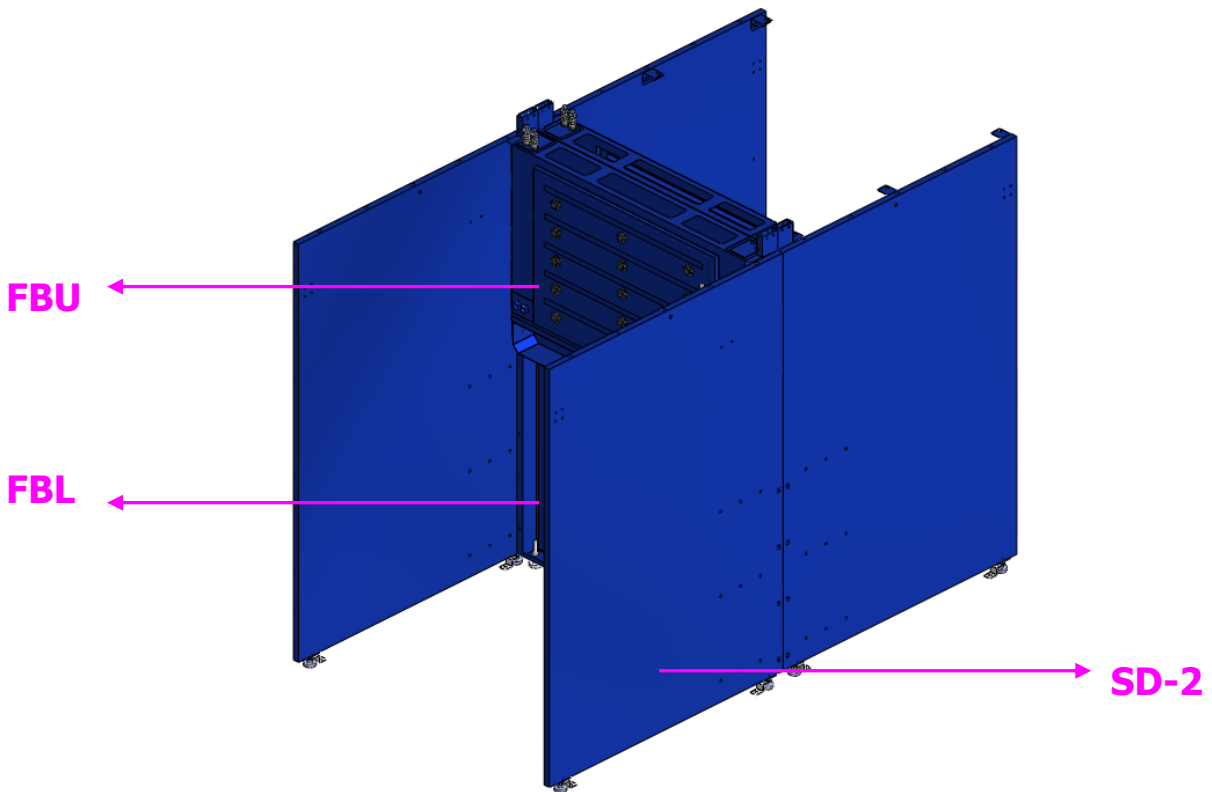
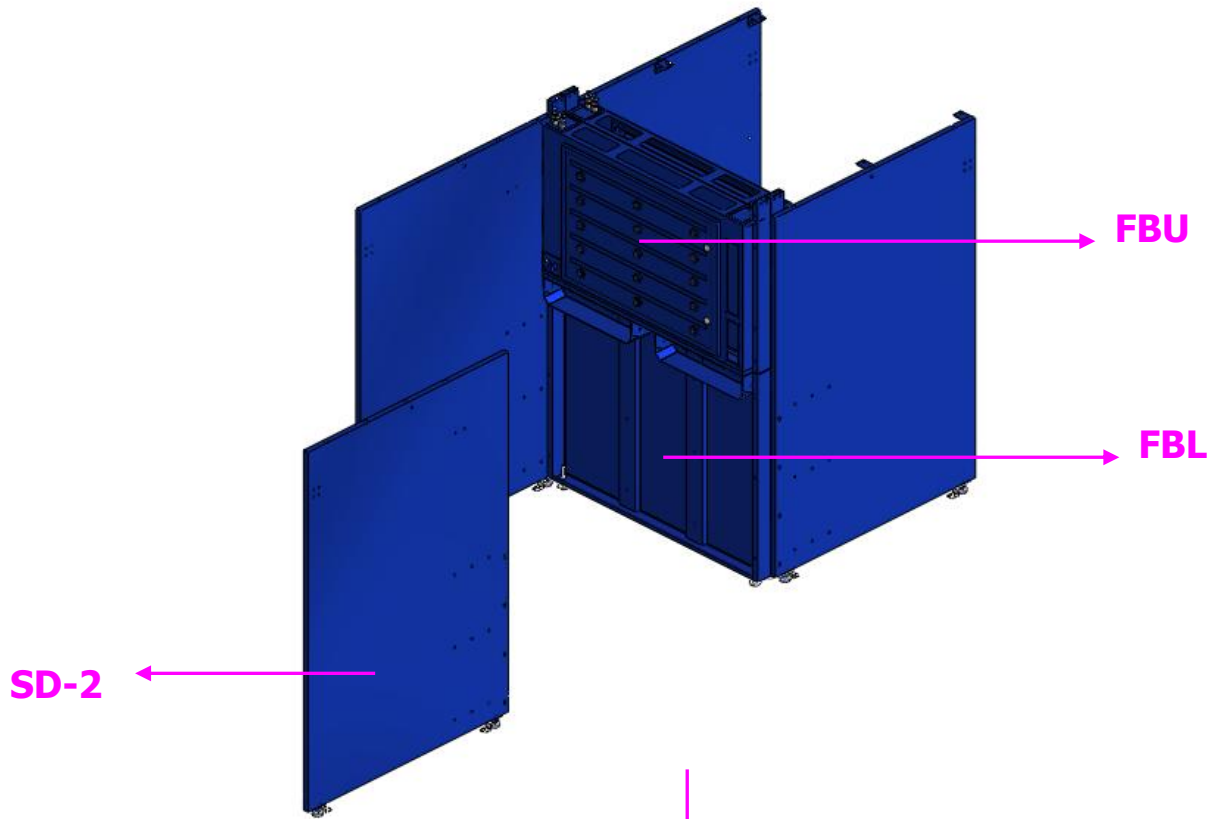


✚ Installations for WB-6055 (booth back to back).

- Take out the number: **SD-2**.
- Fasten **SD-2** to **FBU** and **FBL** together with:



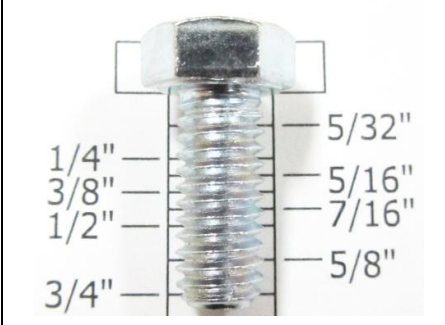

Hardware C				
Part name	Description	Photos	Q'ty	Grainger Model #
Hex Screw (Partially Threaded)	3/8 x 4"		8	1KA62
Flat Washer	3/8" x OD23 x 2T		16	*1JY33
Nylon Hex Nut	3/8"		8	3HDU4

✚ Installations for WB-6055 (booth back to back).



✚ Installations for WB-6055 (booth back to back).

- Take out the number: **FBL**.
- Fasten **FBL** adjacent to **SD-1** with:

Hardware A				
Part name	Description	Photos	Q'ty	Grainger Model #
Hex Screw	3/8 x 3/4"		1	1YU42
Flat Washer	3/8" x OD23 x 2T		1	*1JY33
Hex Screw	5/16 x 3/4"		1	1YU33
Flat Washer	5/16" x OD23 x 2T		1	*1JY31

(* Hardware item at similar spec available locally.

✚ Installations for WB-6055 (booth back to back).

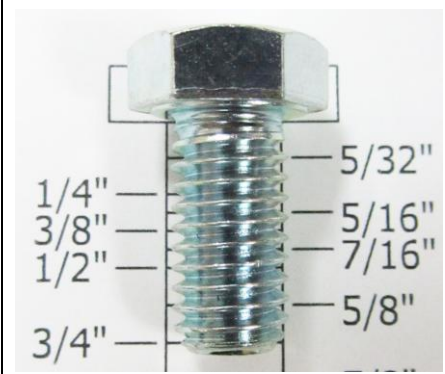

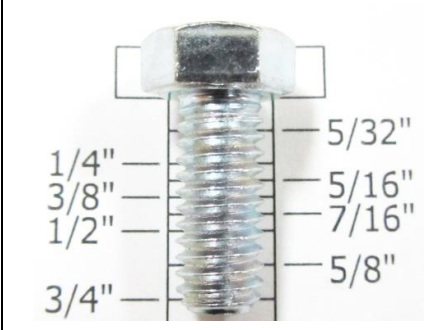

- Fasten **FBL** adjacent to **FBU** with:

Hardware A				
Part name	Description	Photos	Q'ty	Grainger Model #
Hex Screw	3/8 x 2-1/2"		2	1YU47
Flat Washer	3/8" x OD23 x 2T		4	*1JY33
Nylon Hex Nut	3/8"		2	3HDU4

(* Hardware item at similar spec available locally.

✚ Installations for WB-6055 (booth back to back).

- Take out the number: **FBR**.
- Fasten **FBR** adjacent to **SD-2** with:

Hardware B				
Part name	Description	Photos	Q'ty	Grainger Model #
Hex Screw	3/8 x 3/4"		1	1YU42
Flat Washer	3/8" x OD23 x 2T		1	*1JY33
Hex Screw	5/16 x 3/4"		1	1YU33
Flat Washer	5/16" x OD23 x 2T		1	*1JY31

(* Hardware item at similar spec available locally.

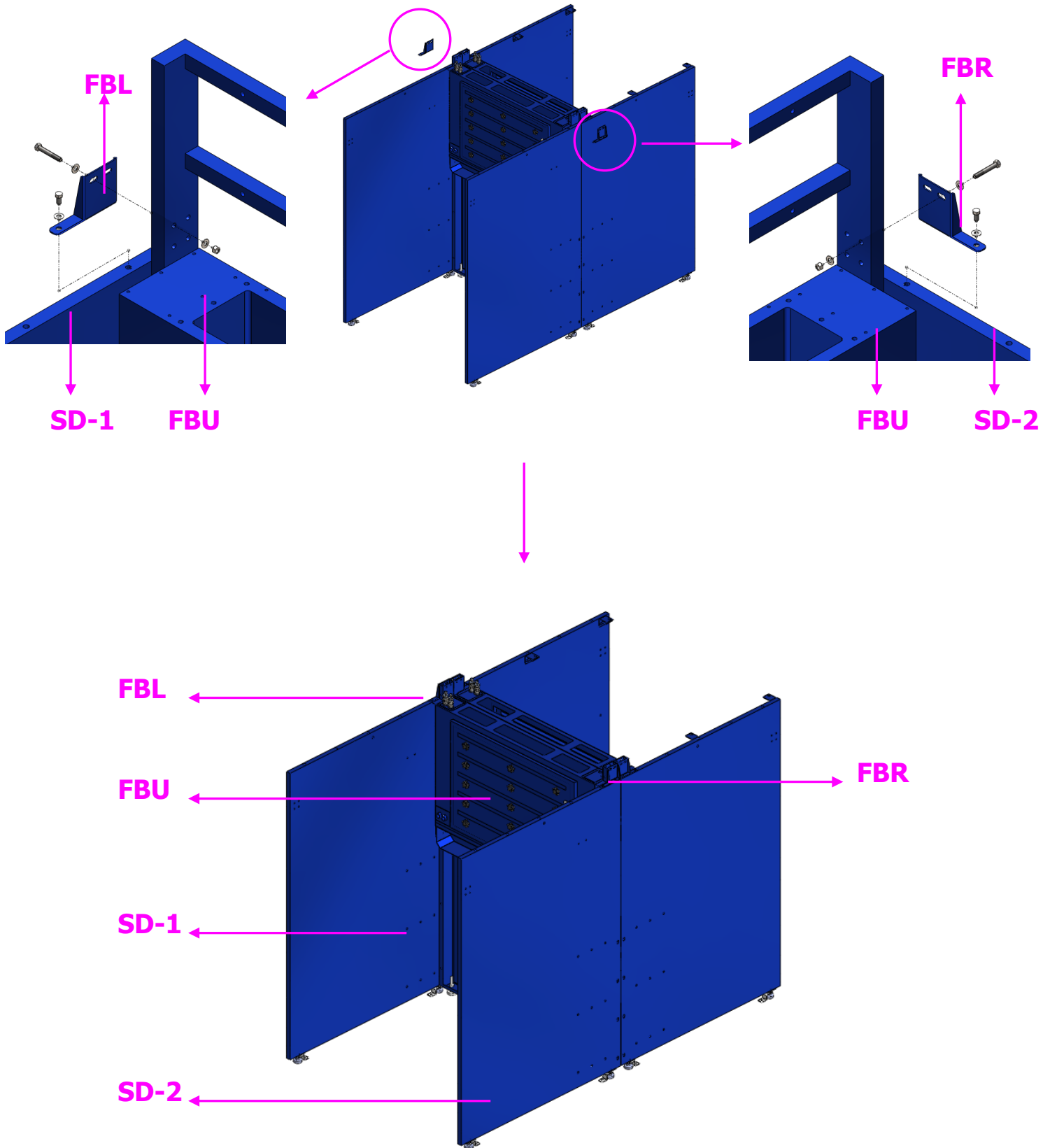
✚ Installations for WB-6055 (booth back to back).

- Fasten **FBR** adjacent to **FBU** with:

Hardware B				
Part name	Description	Photos	Q'ty	Grainger Model #
Hex Screw	3/8 x 2-1/2"		2	1YU47
Flat Washer	3/8" x OD23 x 2T		4	*1JY33
Nylon Hex Nut	3/8"		2	3HDU4



(* Hardware item at similar spec available locally.

Installations for WB-6055 (booth back to back).



✚ Installations for WB-6055 (booth back to back).



- Take out the number: **LSPJ**.
- Fasten **LSPJ** to **SD-2** with:

Hardware E				
Part name	Description	Photos	Q'ty	Grainger Model #
Hex Screw	5/16 x 3/4"		2	1YU33
Flat Washer	5/16" x OD23 x 2T		2	*1JY31

(*) Hardware item at similar spec available locally.

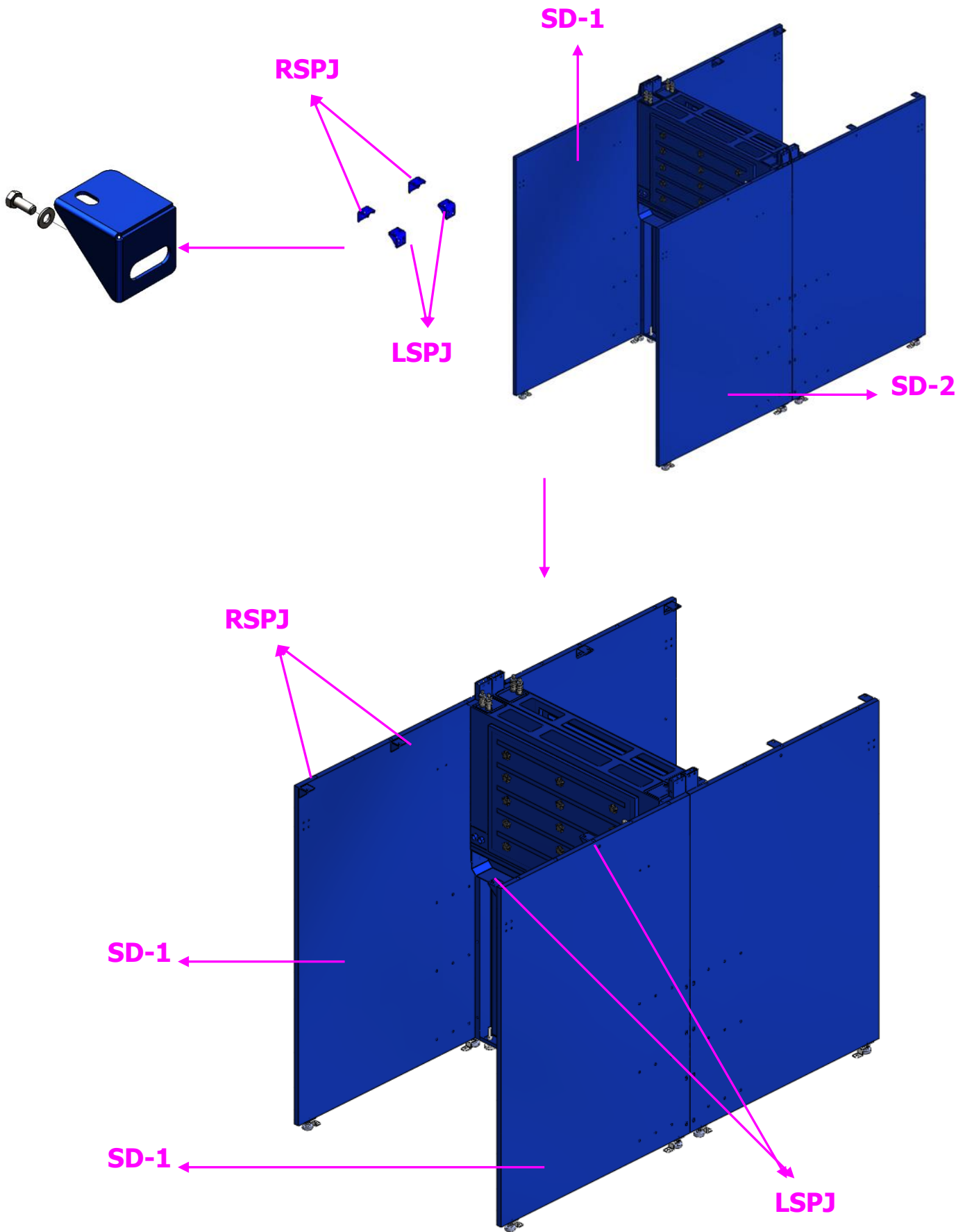
✚ Installations for WB-6055 (booth back to back).

- Take out the number: **RSPJ**.
- Fasten **RSPJ** to **SD-1** with:

Hardware F				
Part name	Description	Photos	Q'ty	Grainger Model #
Hex Screw	5/16 x 3/4"		2	1YU33
Flat Washer	5/16" x OD23 x 2T		2	*1JY31

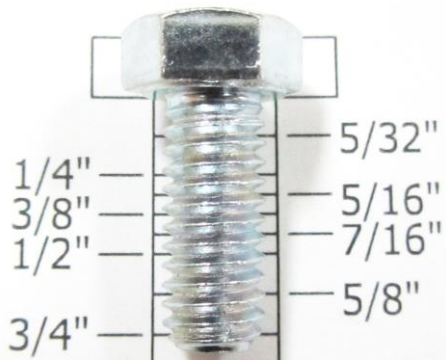


(* Hardware item at similar spec available locally.

Installations for WB-6055 (booth back to back).



✚ Installations for WB-6055 (booth back to back).

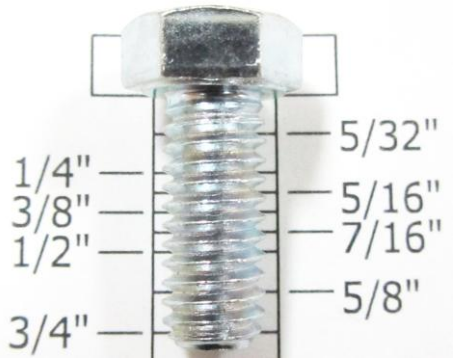

- Take out the number: **BD**.
- Fasten **BD** to **BBU** and **FBU** with:

Hardware N				
Part name	Description	Photos	Q'ty	Grainger Model #
Hex Screw	5/16 x 3/4"		16	1YU33
Flat Washer	5/16" x OD23 x 2T		32	*1JY31
Hex Nut	5/16"		16	2FE51

(* Hardware item at similar spec available locally.

✚ Installations for WB-6055 (booth back to back).

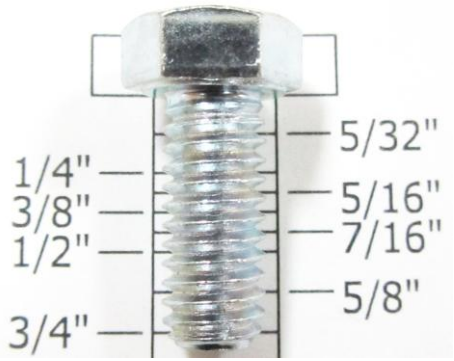

- Fasten **BD** to **SD1~3** and **LSD** with:

● Hardware N				
Part name	Description	Photos	Q'ty	Grainger Model #
Hex Screw	5/16 x 3/4"		20	1YU33
Flat Washer	5/16" x OD23 x 2T		20	*1JY31

(* Hardware item at similar spec available locally.

✚ Installations for WB-6055 (booth back to back).

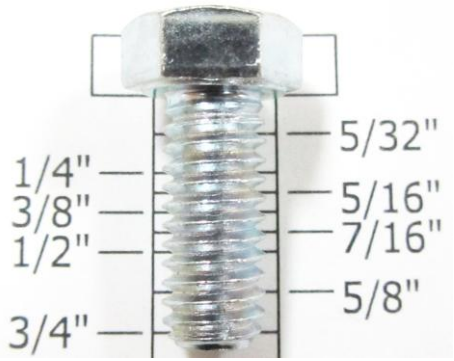

- Fasten **FBL** to **BD** with:

● Hardware E				
Part name	Description	Photos	Q'ty	Grainger Model #
Hex Screw	5/16 x 3/4"		3	1YU33
Flat Washer	5/16" x OD23 x 2T		3	*1JY31

(* Hardware item at similar spec available locally.

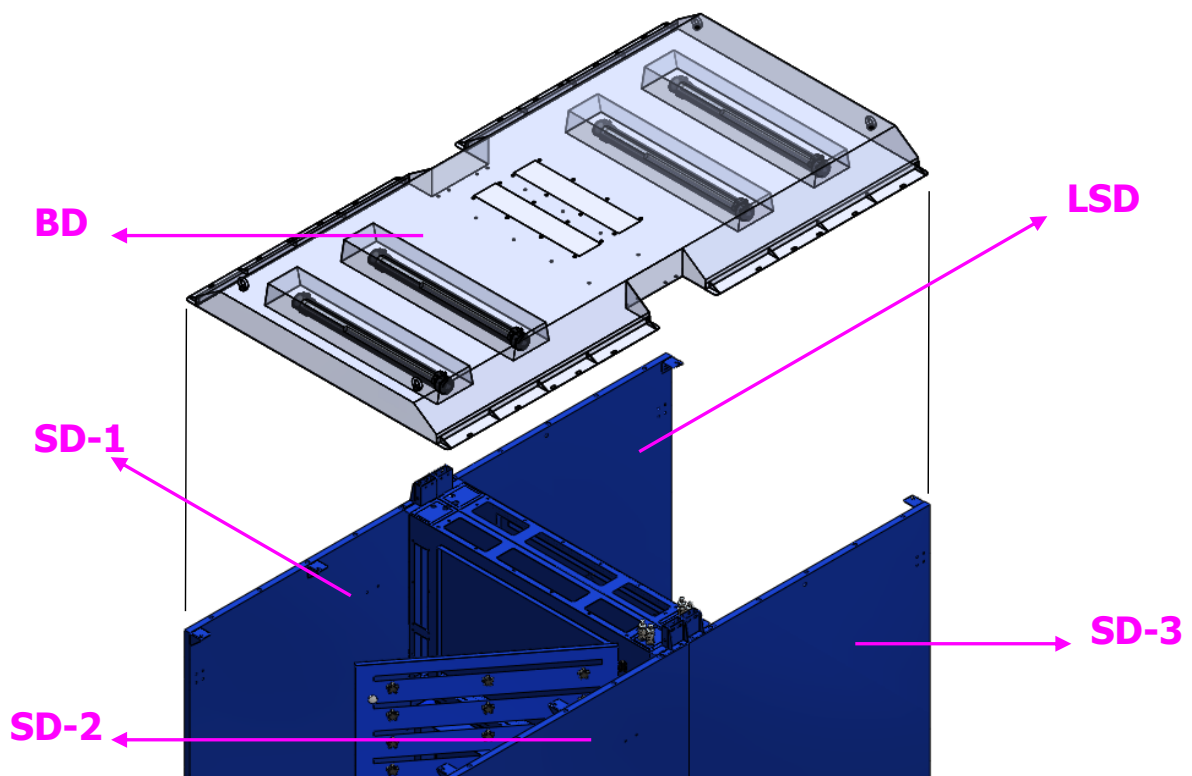
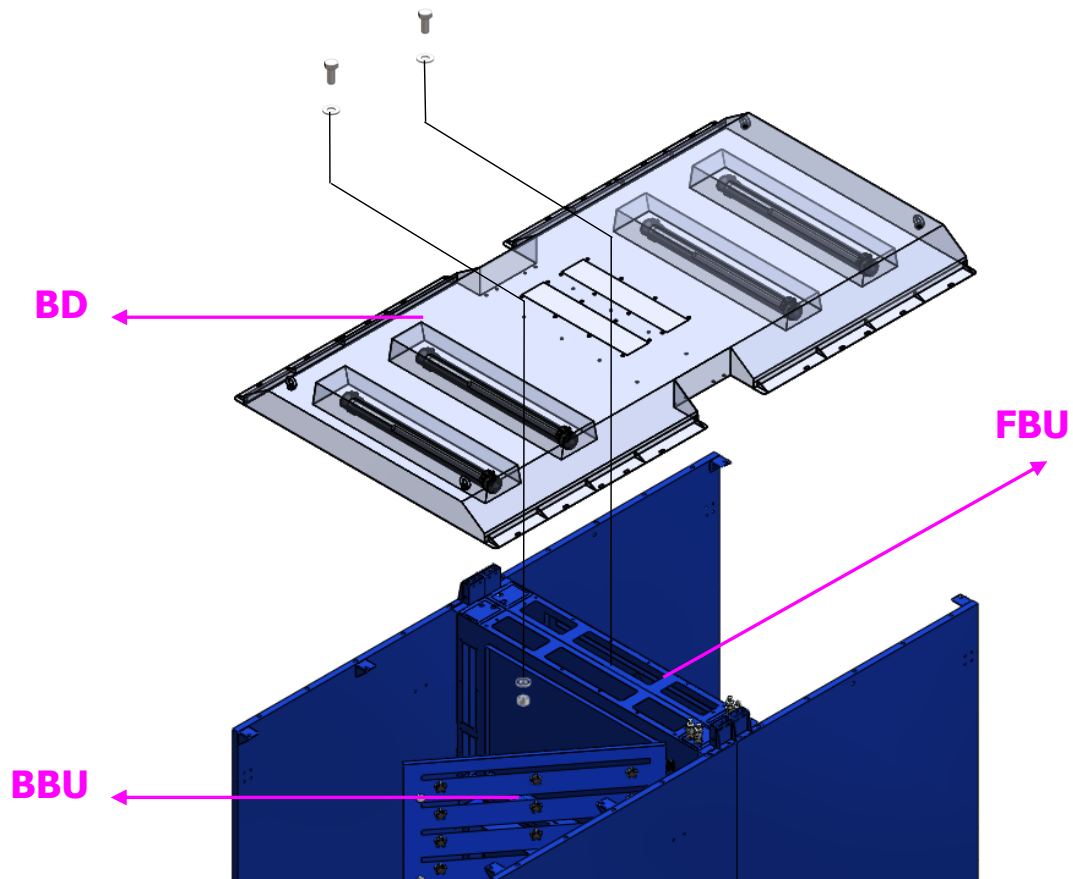
✚ Installations for WB-6055 (booth back to back).

- Fasten **RBL** to **BD** with:

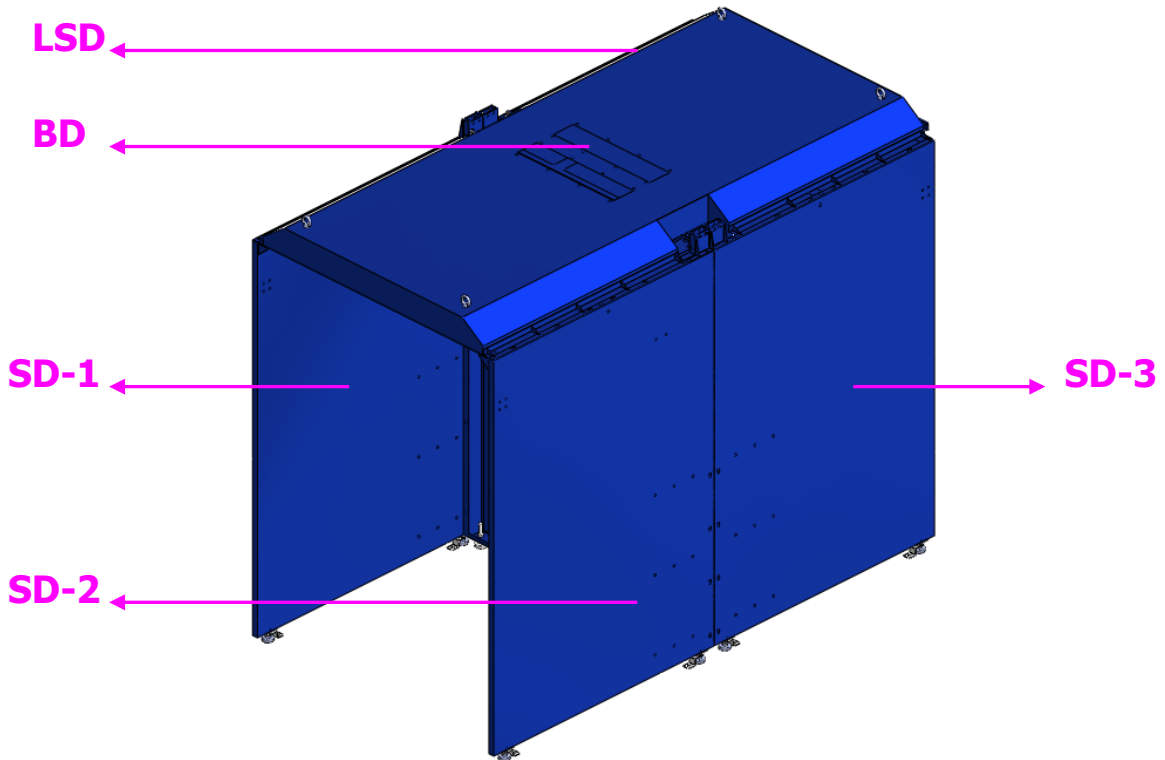
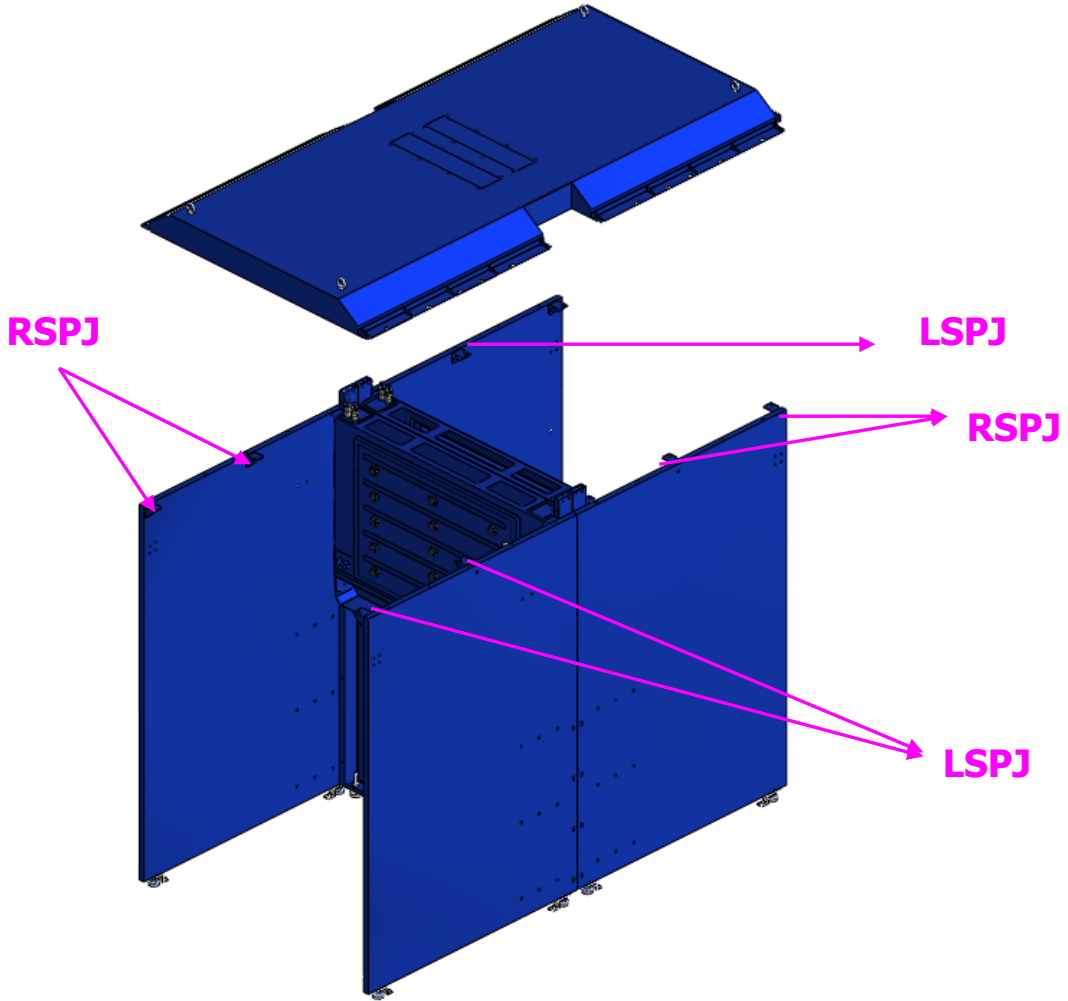
Hardware F				
Part name	Description	Photos	Q'ty	Grainger Model #
Hex Screw	5/16 x 3/4"		4	1YU33
Flat Washer	5/16" x OD23 x 2T		4	*1JY31

(* Hardware item at similar spec available locally.

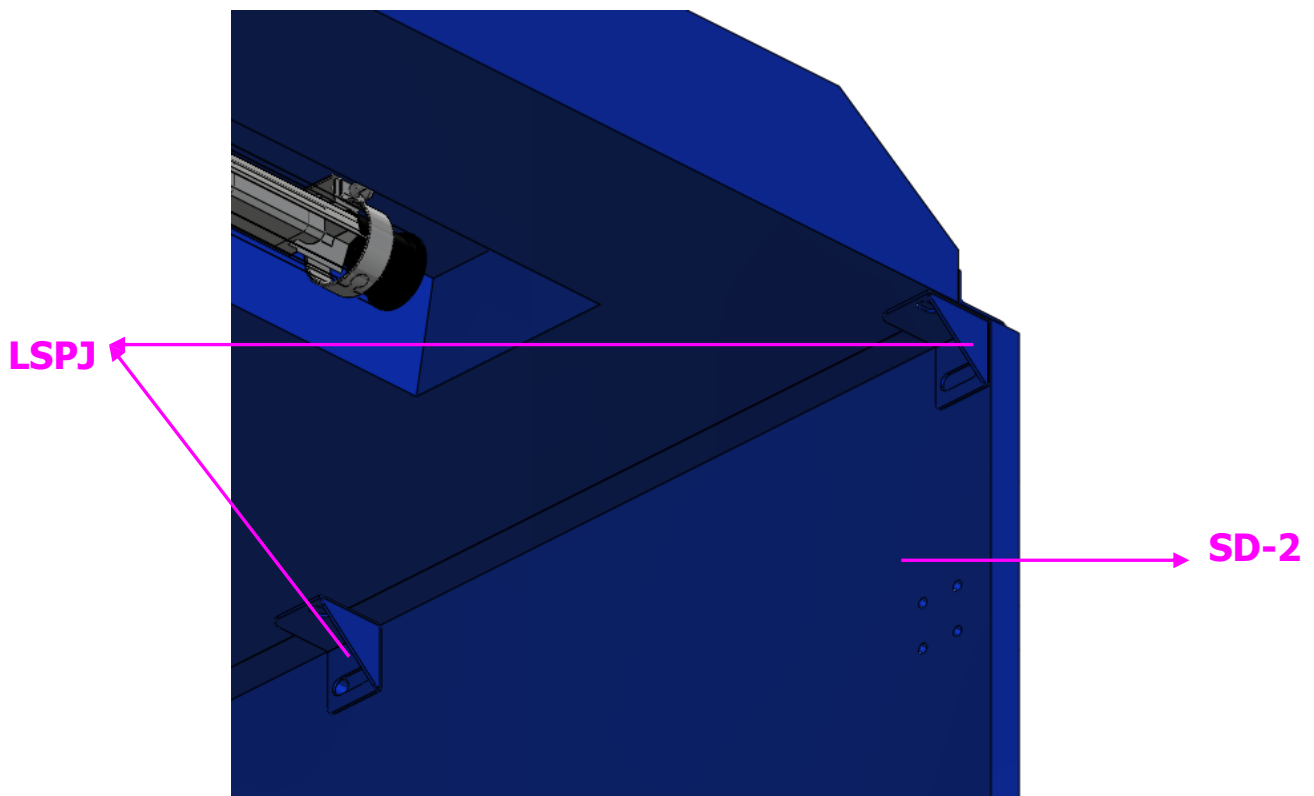
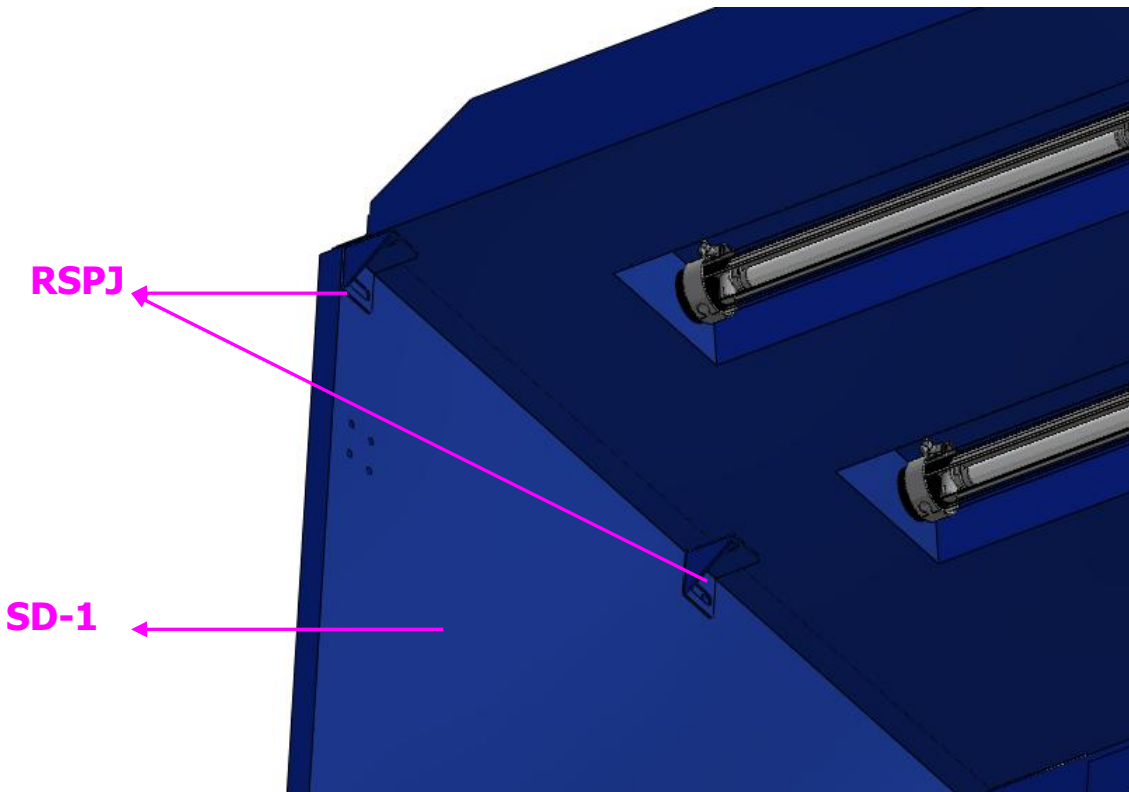
Installations for WB-6055 (booth back to back).



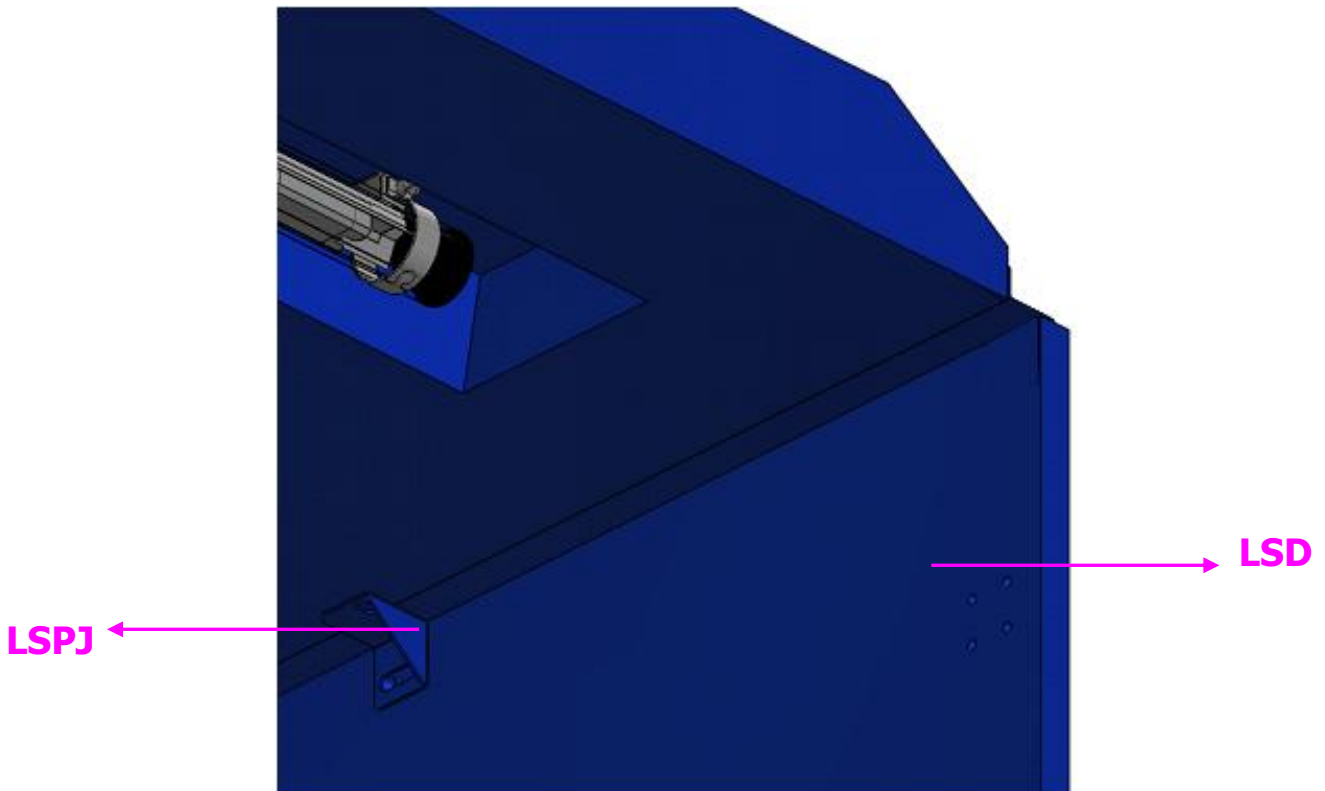
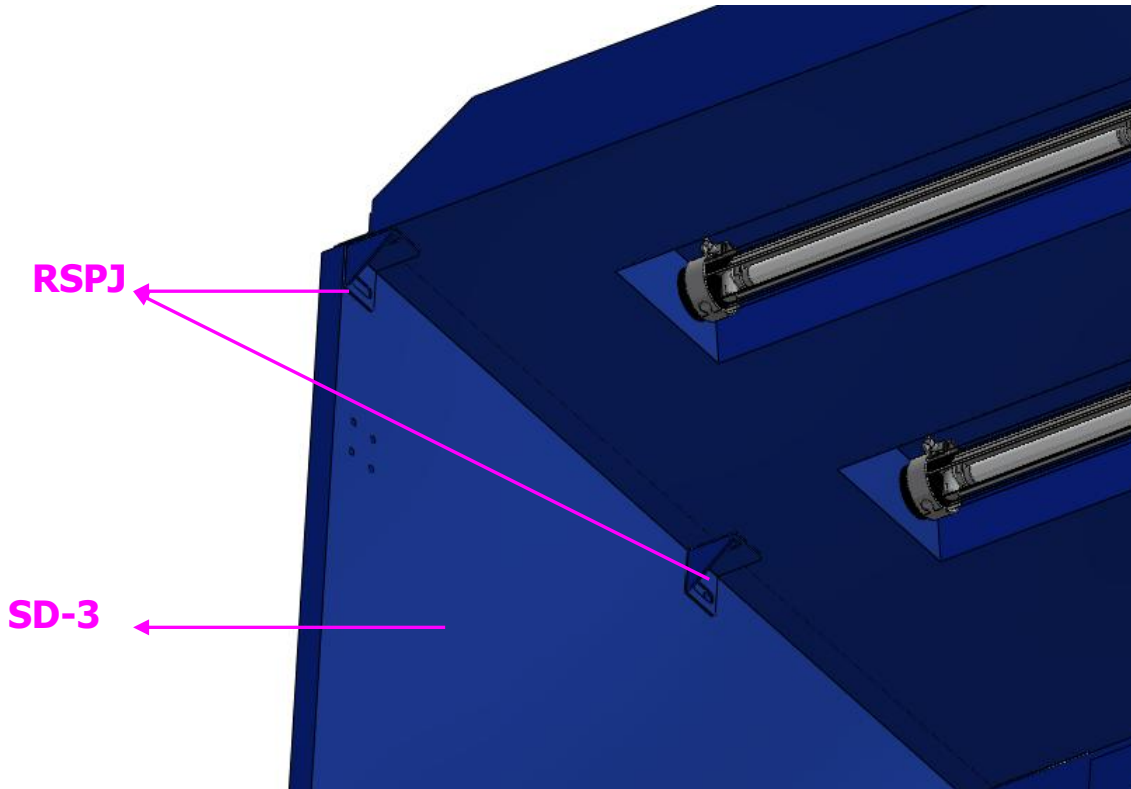
✦ Installations for WB-6055 (booth back to back).



✚ Installations for WB-6055 (booth back to back).

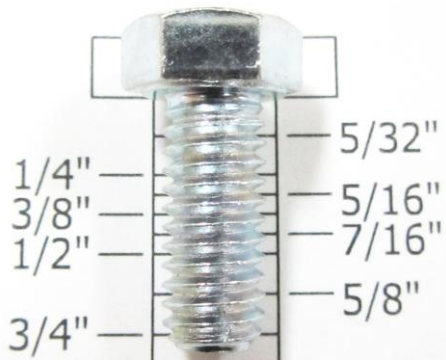




✦ Installations for WB-6055 (booth back to back).



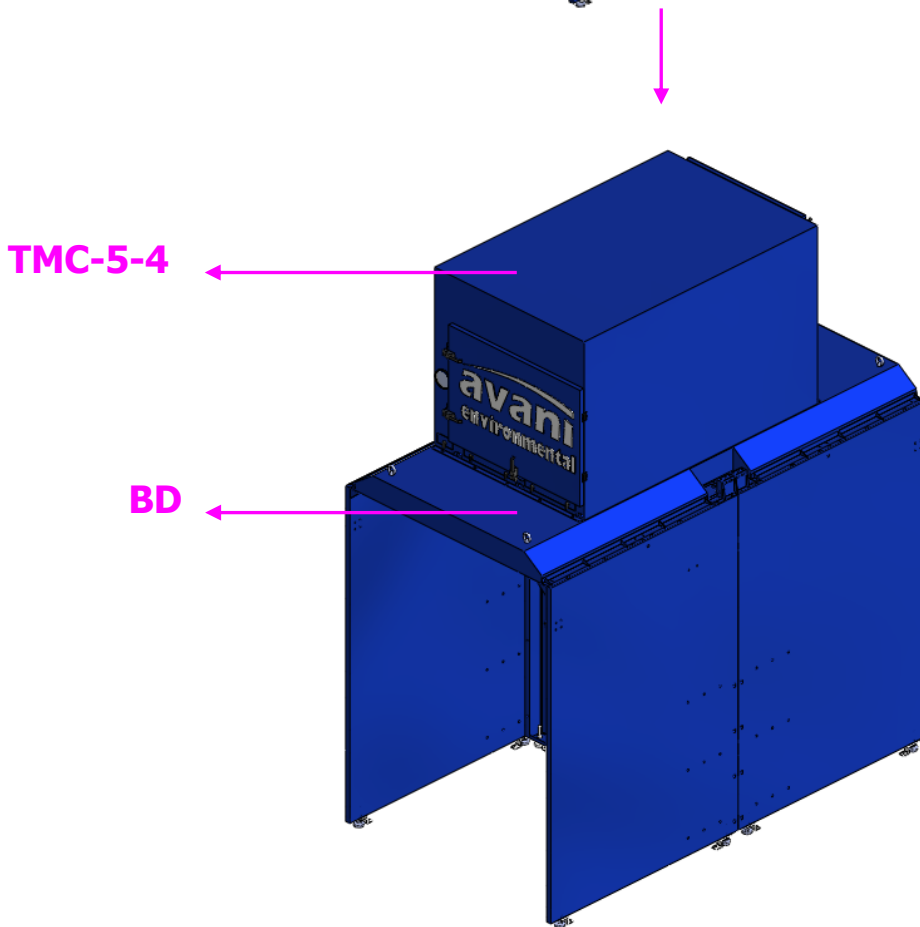
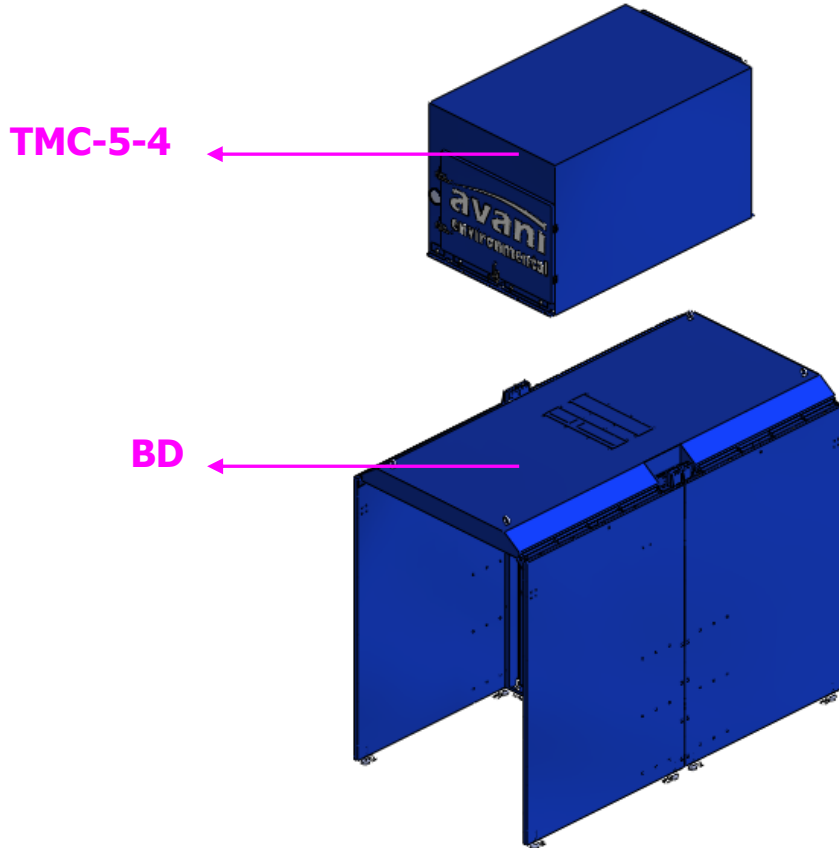
✚ Installations for WB-6055 (booth back to back).

- Take out the number: **TMC-5-4**.
- Fasten **TMC-5-4** to **BD** with:

Hardware O				
Part name	Description	Photos	Q'ty	Grainger Model #
Hex Screw	5/16 x 3/4"		30	1YU33
Flat Washer	5/16" x OD23 x 2T		46	*1JY31
Hex Nut	5/16"		16	2FE51

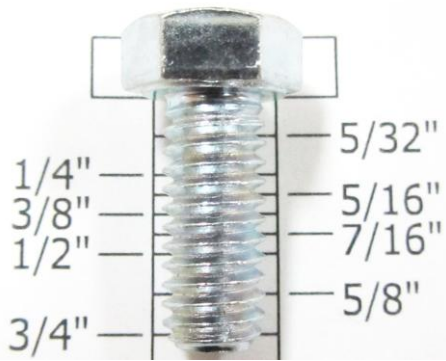

(* Hardware item at similar spec available locally.

Installations for WB-6055 (booth back to back).



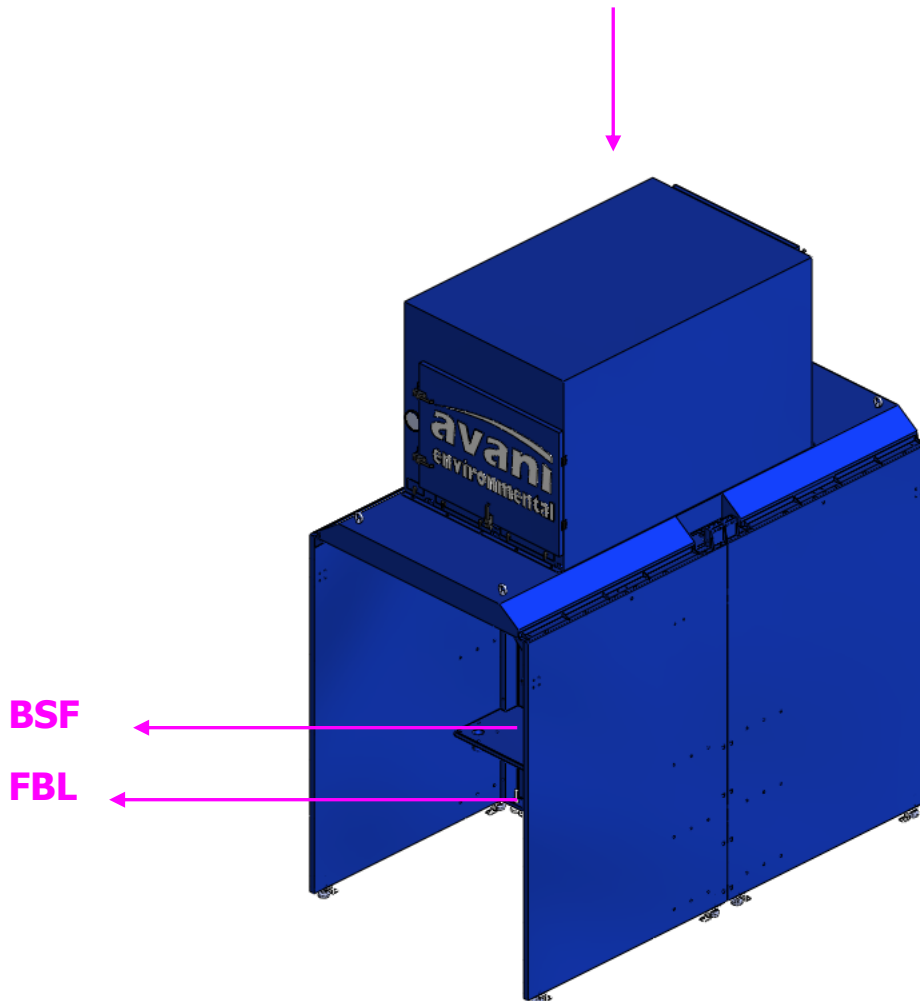
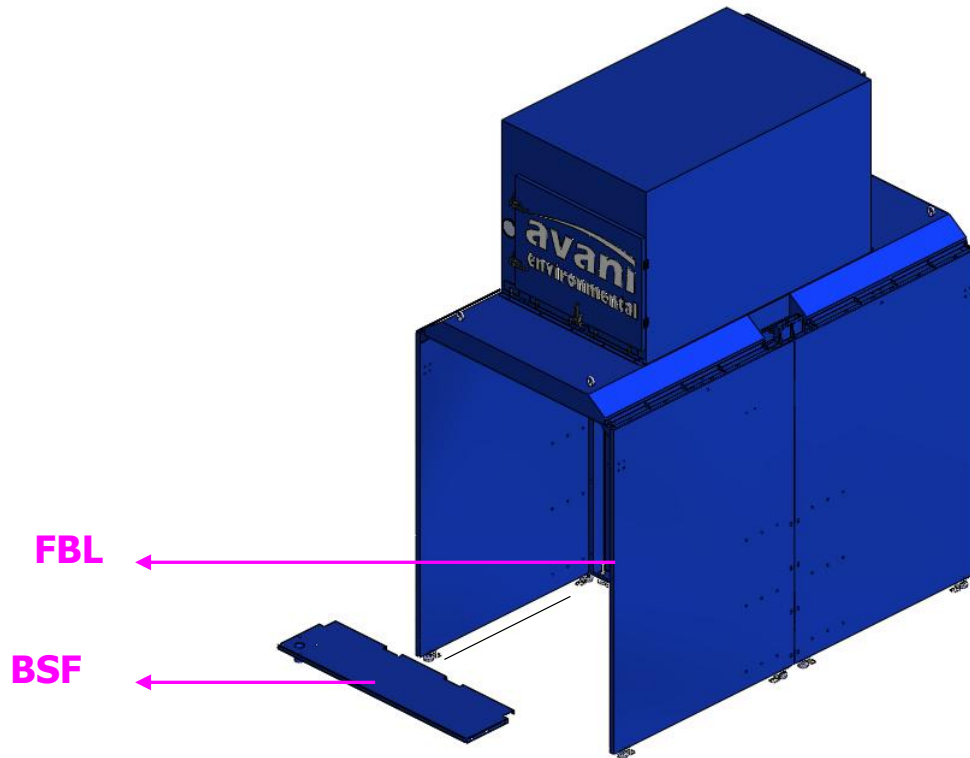
✚ Installations for WB-6055 (booth back to back).

- Take out the number: **BSF**
- Fasten **BSF** to **FBL** with:

Hardware J				
Part name	Description	Photos	Q'ty	Grainger Model #
Hex Screw	5/16 x 3/4"		8	1YU33
Flat Washer	5/16" x OD18 x 2T		8	*1JY31

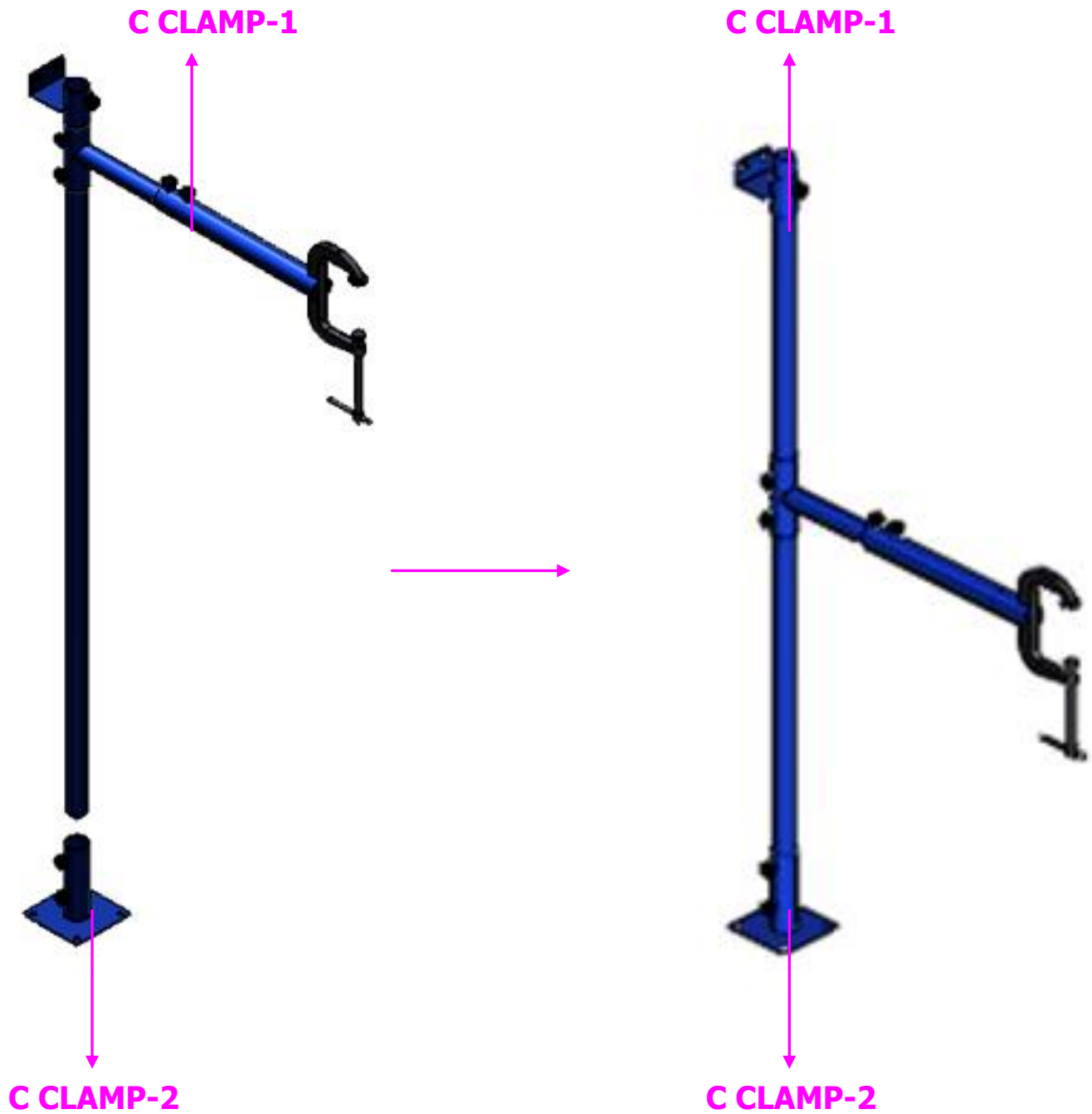
(* Hardware item at similar spec available locally.

Installations for WB-6055 (booth back to back).



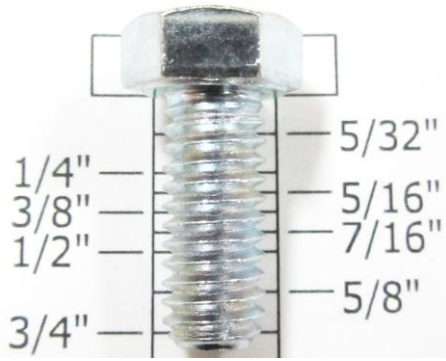

✚ Installations for WB-6055 (booth back to back).

- Take out the number: **C CLAMP-1** and **C CLAMP-2**
- Fasten **C CLAMP-1** and **C CLAMP-2** together.



✚ Installations for WB-6055 (booth back to back).

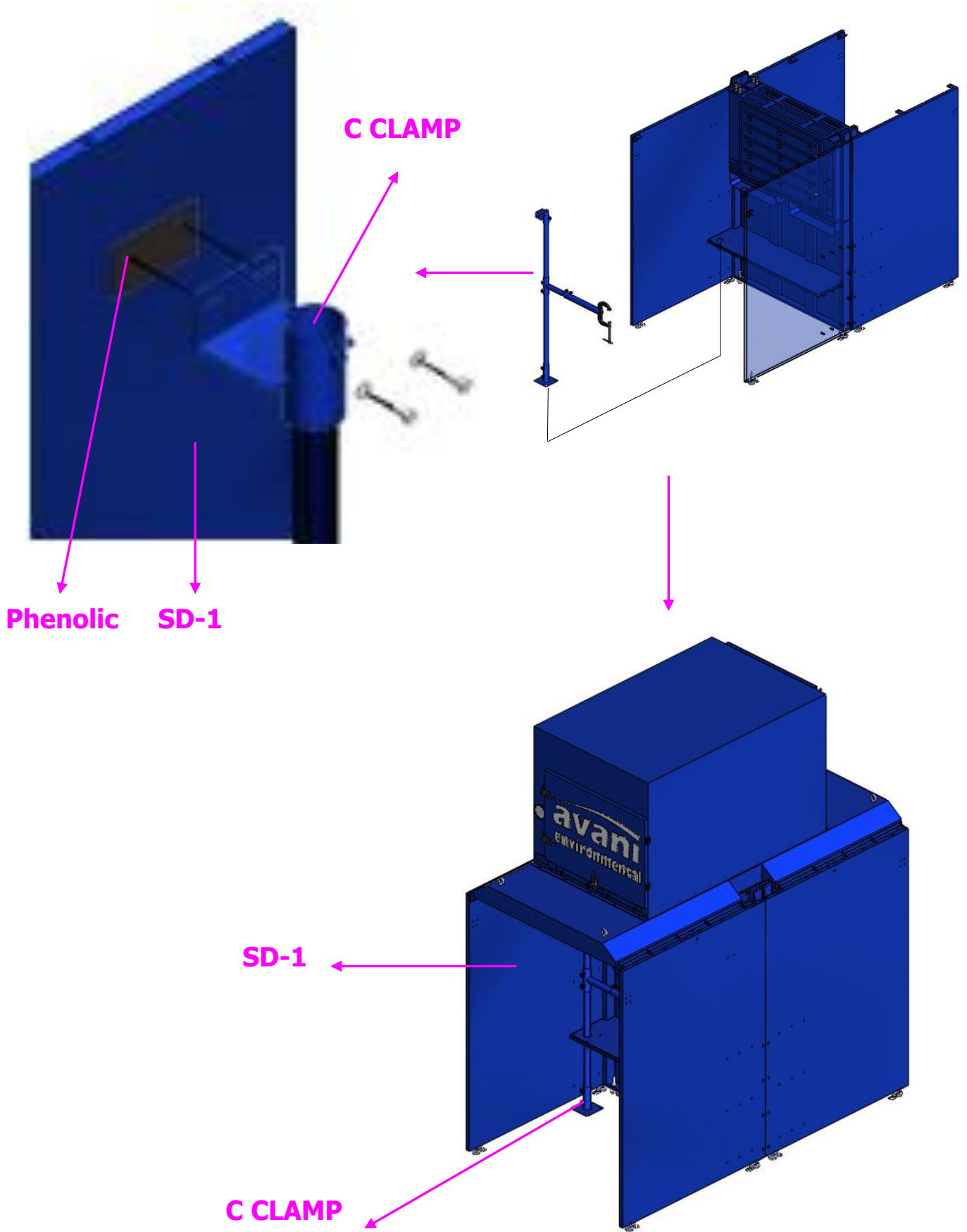
- Fasten **C CLAMP** to **SD-1** with:

Hardware I				
Part name	Description	Photos	Q'ty	Grainger Model #
Hex Screw	5/16 x 3/4"		2	1YU33
Flat Washer	5/16" x OD23 x 2T		2	*1JY31
Phenolic			1	

(* Hardware item at similar spec available locally.



Installations for WB-6055 (booth back to back).

1



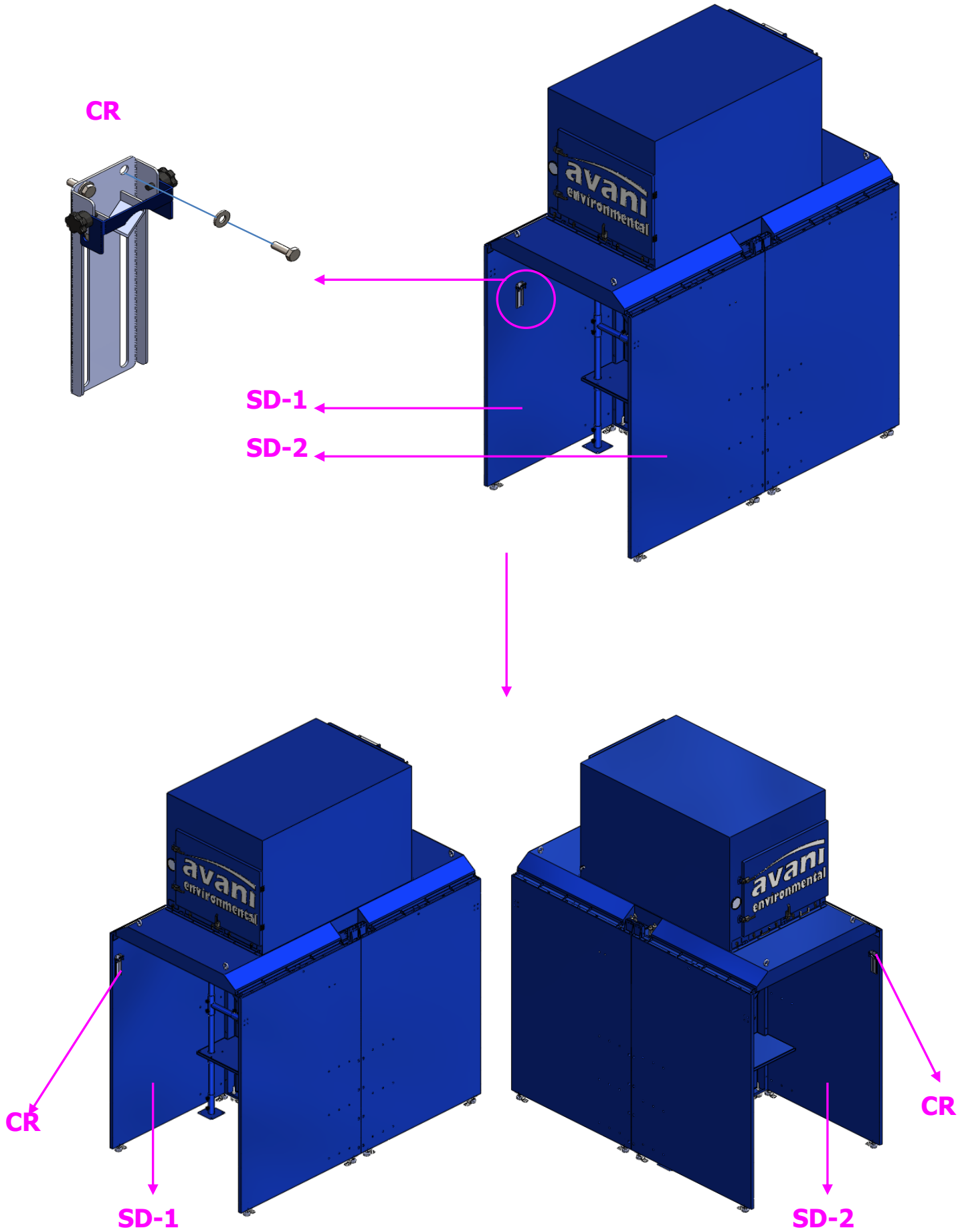
✚ Installations for WB-6055 (booth back to back).

- Take out the number: **CR**
- Fasten **CR** to **SD-1** and **SD-2** with:

Hardware L				
Part name	Description	Photos	Q'ty	Grainger Model #
Hex Screw	1/4" x 3/4"		4	1UY24
Flat Washer	1/4" x OD19 x 2T		4	*1JY29



(* Hardware item at similar spec available locally.

Installations for WB-6055 (booth back to back).



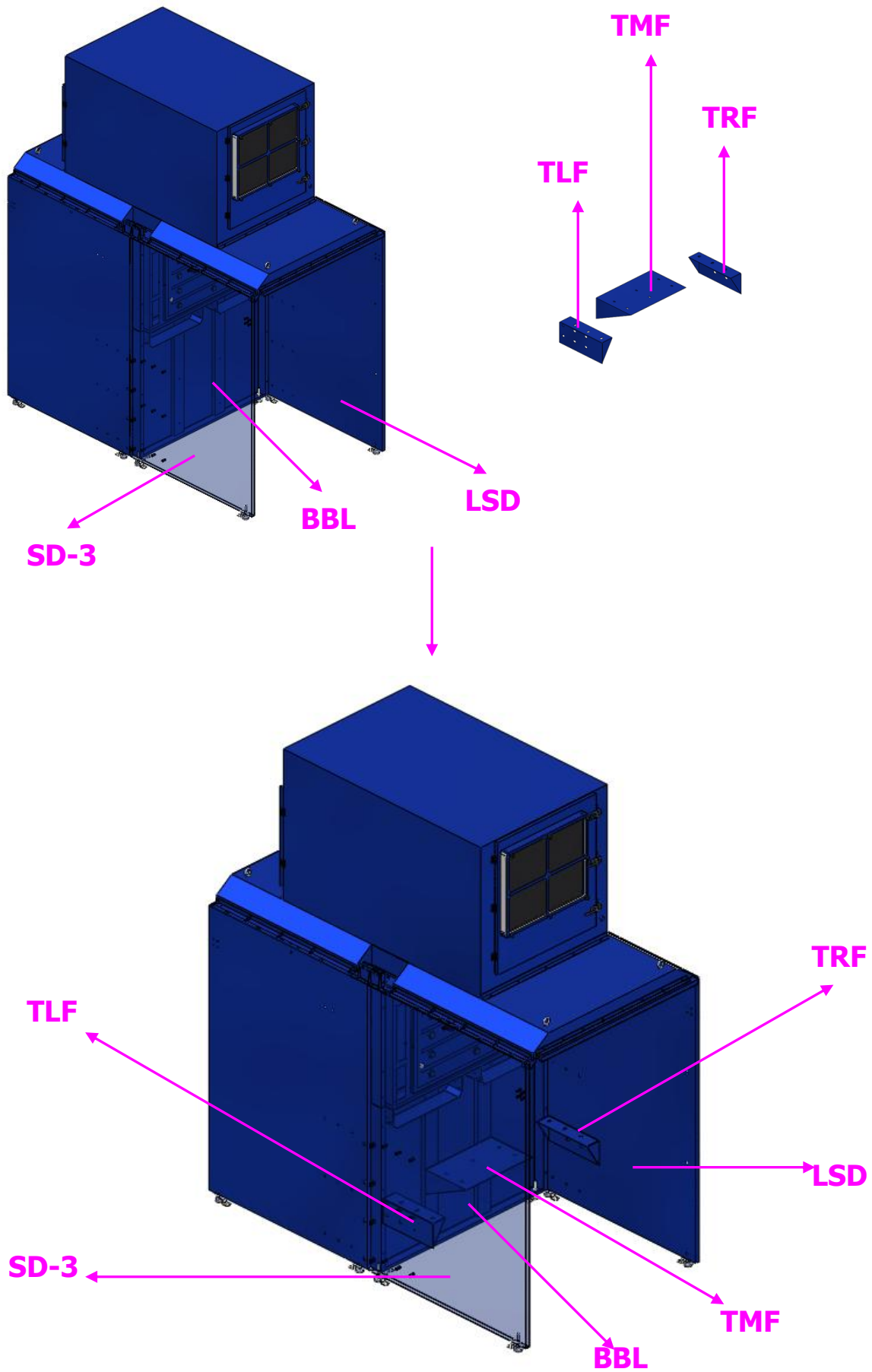
✚ Installations for WB-6055 (booth back to back).

- Take out the number: **TRF**, **TMF** and **TLF**
- Fasten **TRF**, **TMF** and **TLF** to **BBL** with:

Hardware K				
Part name	Description	Photos	Q'ty	Grainger Model #
Hex Screw	5/16 x 3/4"		10	1YU33
Flat Washer	5/16" x OD23 x 2T		10	*1JY31



(* Hardware item at similar spec available locally.

Installations for WB-6055 (booth back to back).



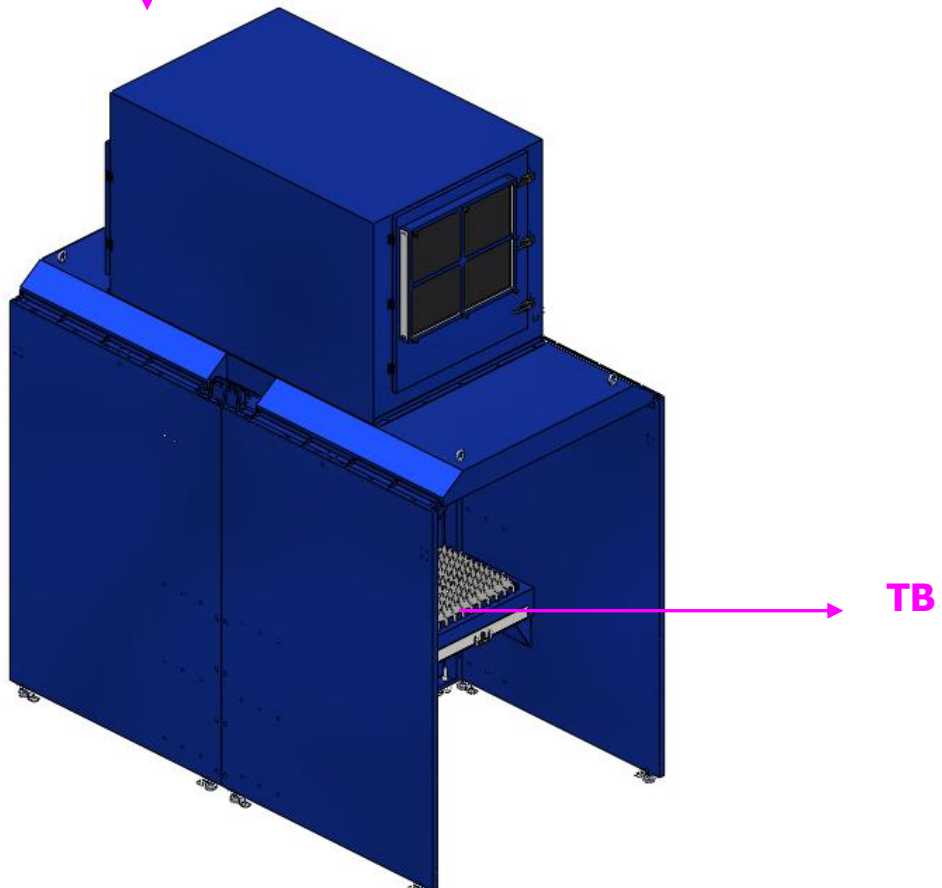
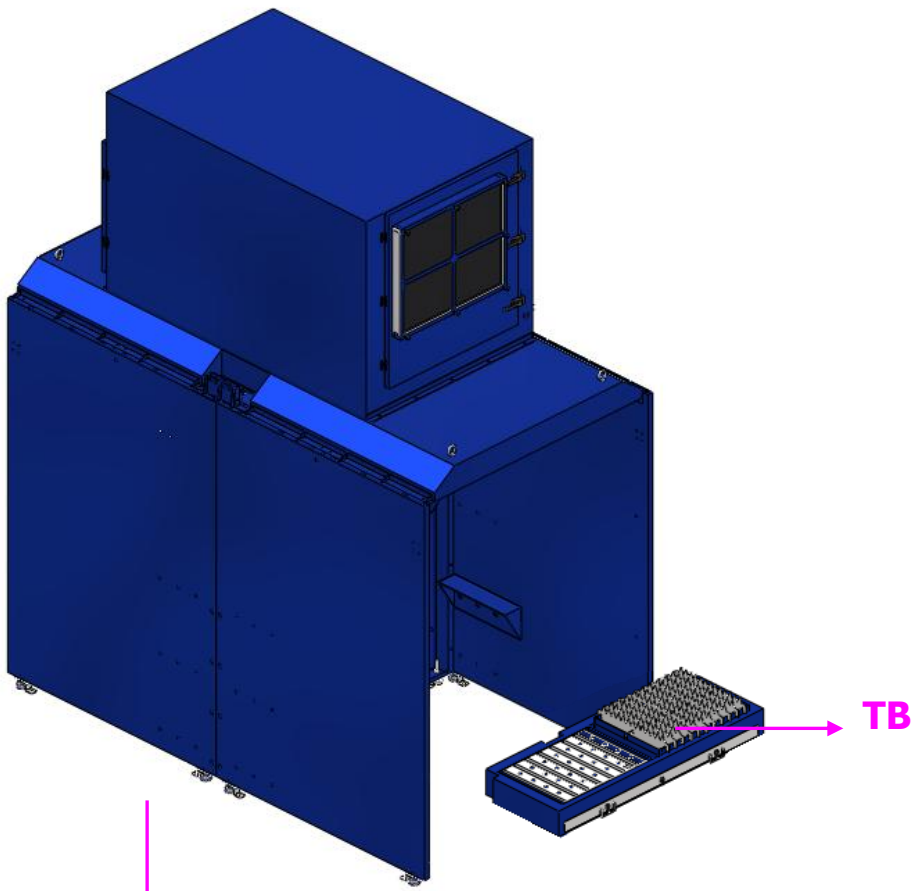
✚ Installations for WB-6055 (booth back to back).

- Take out the number: **TB**
- Fasten **TB** to **TRF**, **TMF** and **TLF** with:

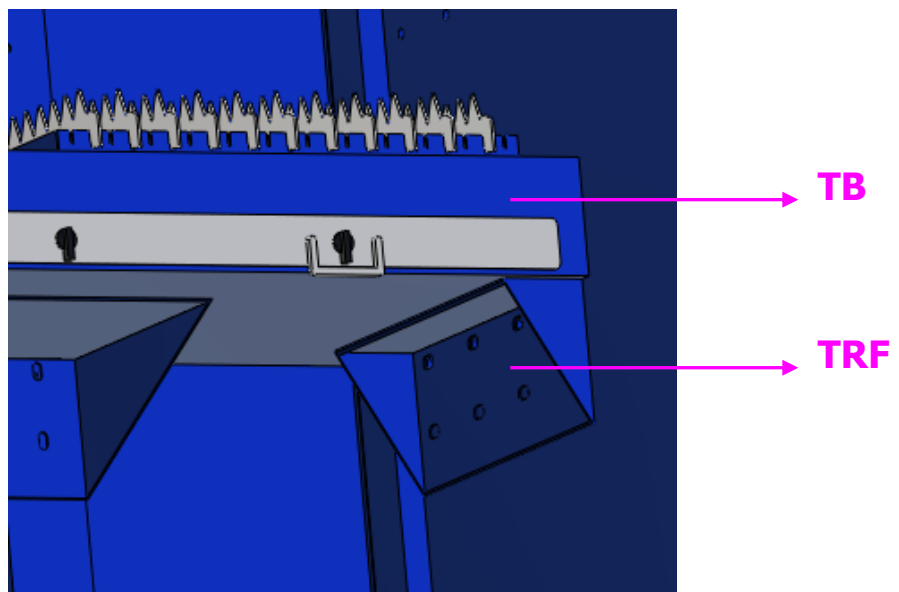
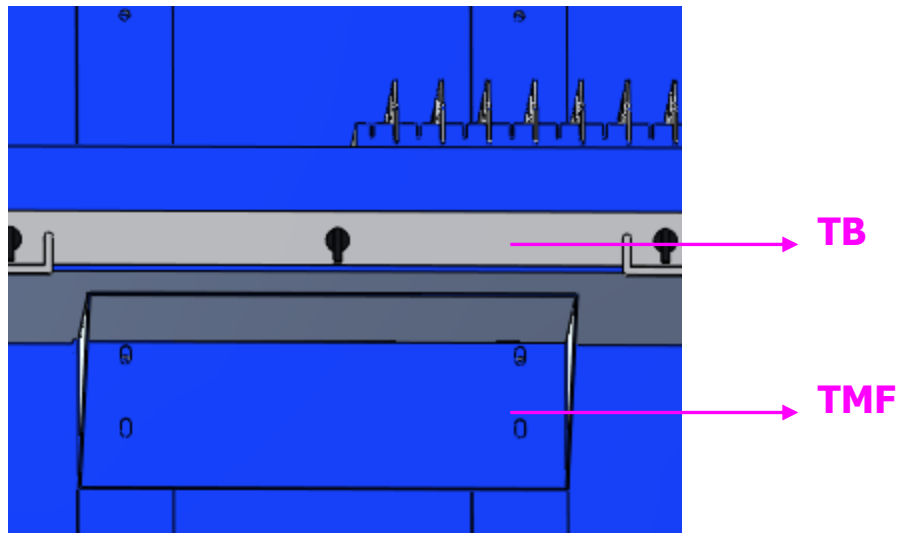
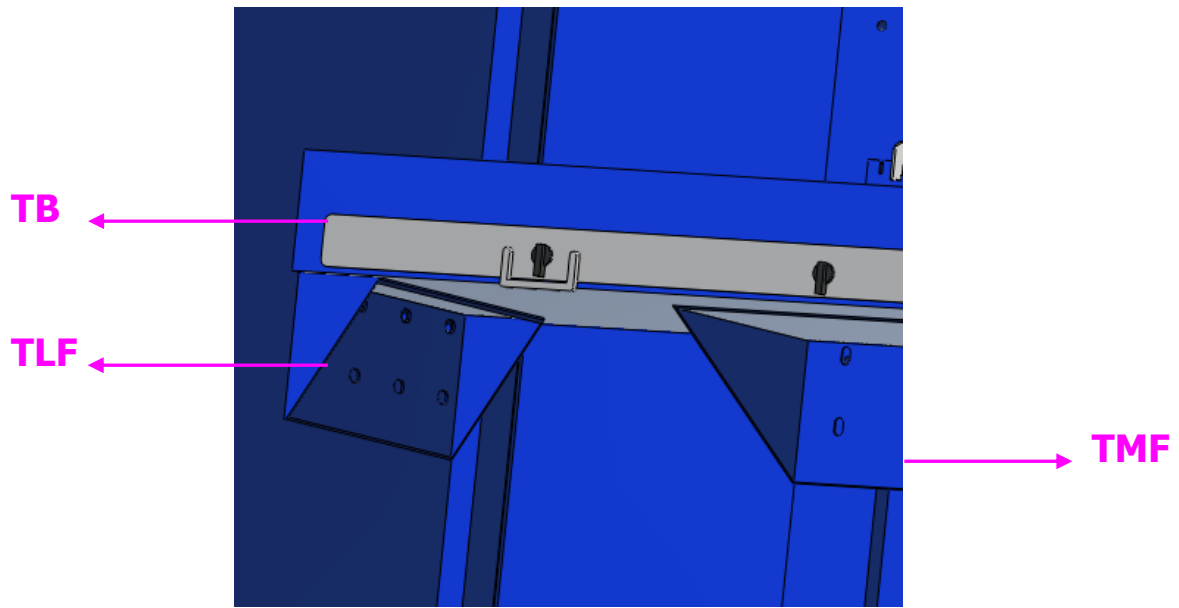
Hardware K				
Part name	Description	Photos	Q'ty	Grainger Model #
Hex Screw	5/16 x 3/4"		12	1YU33
Flat Washer	5/16" x OD23 x 2T		12	*1JY31

(* Hardware item at similar spec available locally.

✚ Installations for WB-6055 (booth back to back).





✦ Installations for WB-6055 (booth back to back).



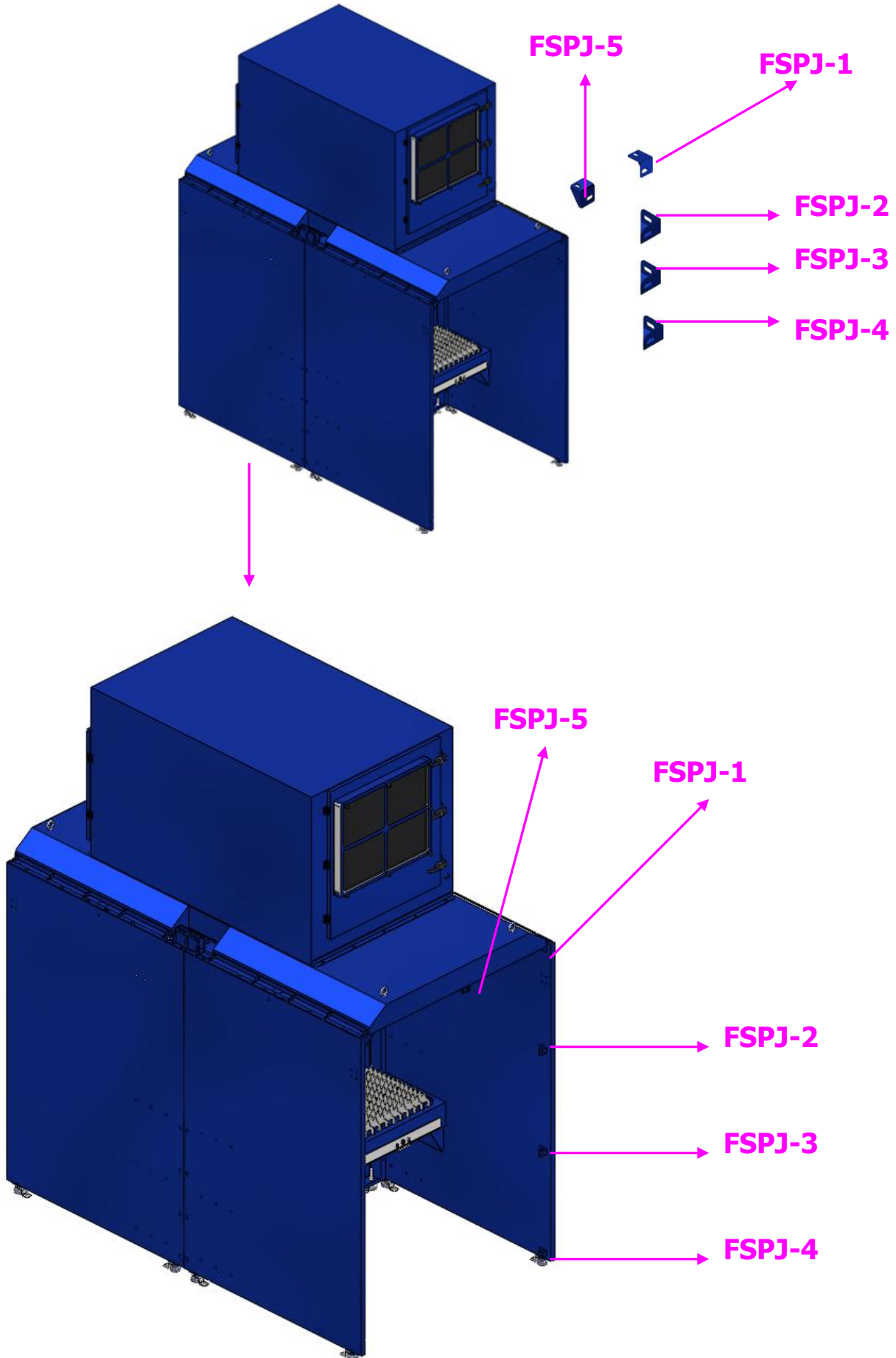
✚ Installations for WB-6055 (booth back to back).

- Take out the number: **FSPJ-1~FSPJ-5**
- Fasten **FSPJ1~4** to **LSD** and **FSPJ5** to **BD** with:

Hardware G				
Part name	Description	Photos	Q'ty	Grainger Model #
Hex Screw	5/16 x 3/4"		6	1YU33
Flat Washer	5/16" x OD23 x 2T		6	*1JY31



(* Hardware item at similar spec available locally.

Installations for WB-6055 (booth back to back).



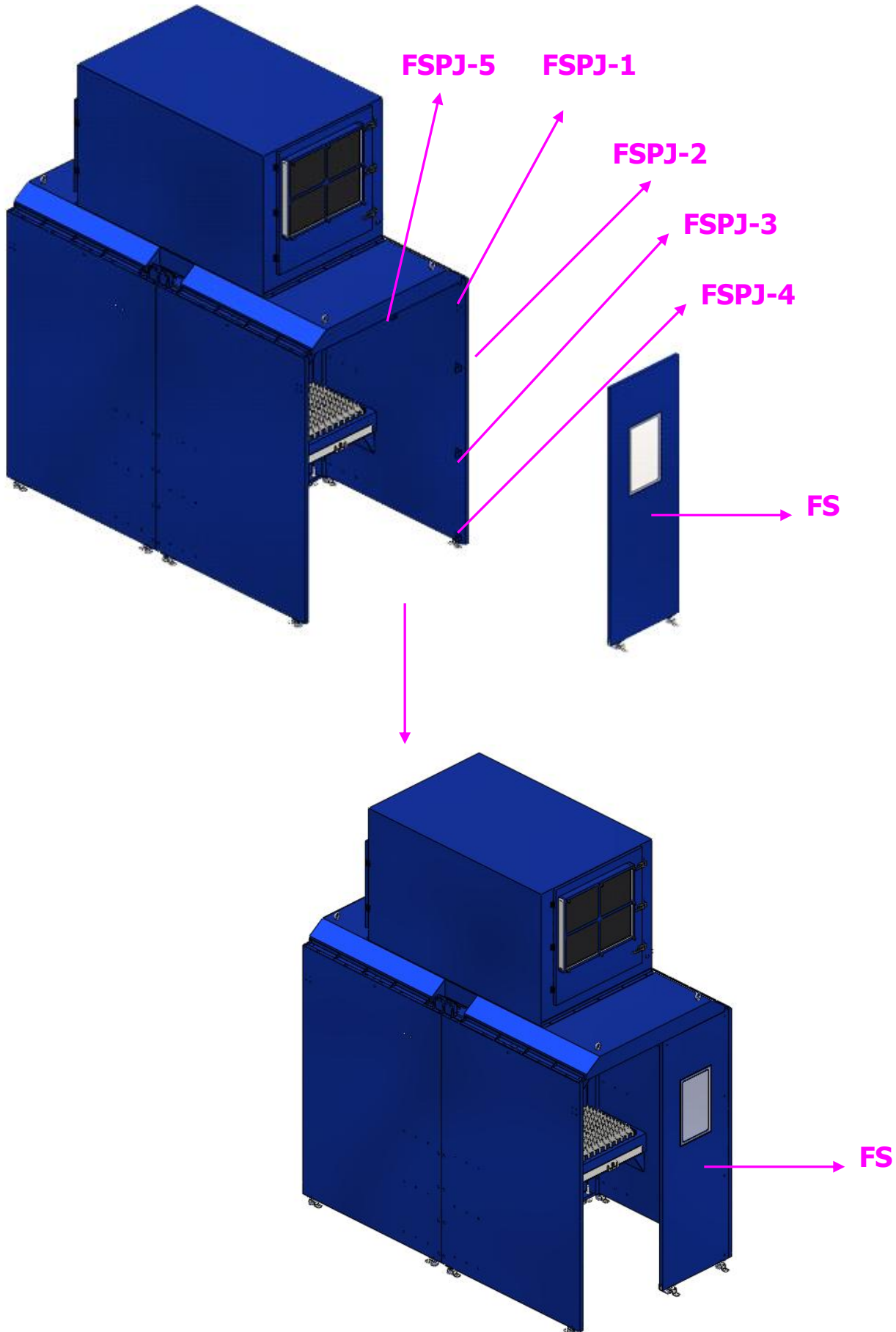
✚ Installations for WB-6055 (booth back to back).

- Take out the number: **FS**
- Fasten **FS** to **FSPJ1~5** with:

Hardware G				
Part name	Description	Photos	Q'ty	Grainger Model #
Hex Screw	5/16 x 3/4"		5	1YU33
Flat Washer	5/16" x OD23 x 2T		5	*1JY31



(*) Hardware item at similar spec available locally.

✦ Installations for WB-6055 (booth back to back).



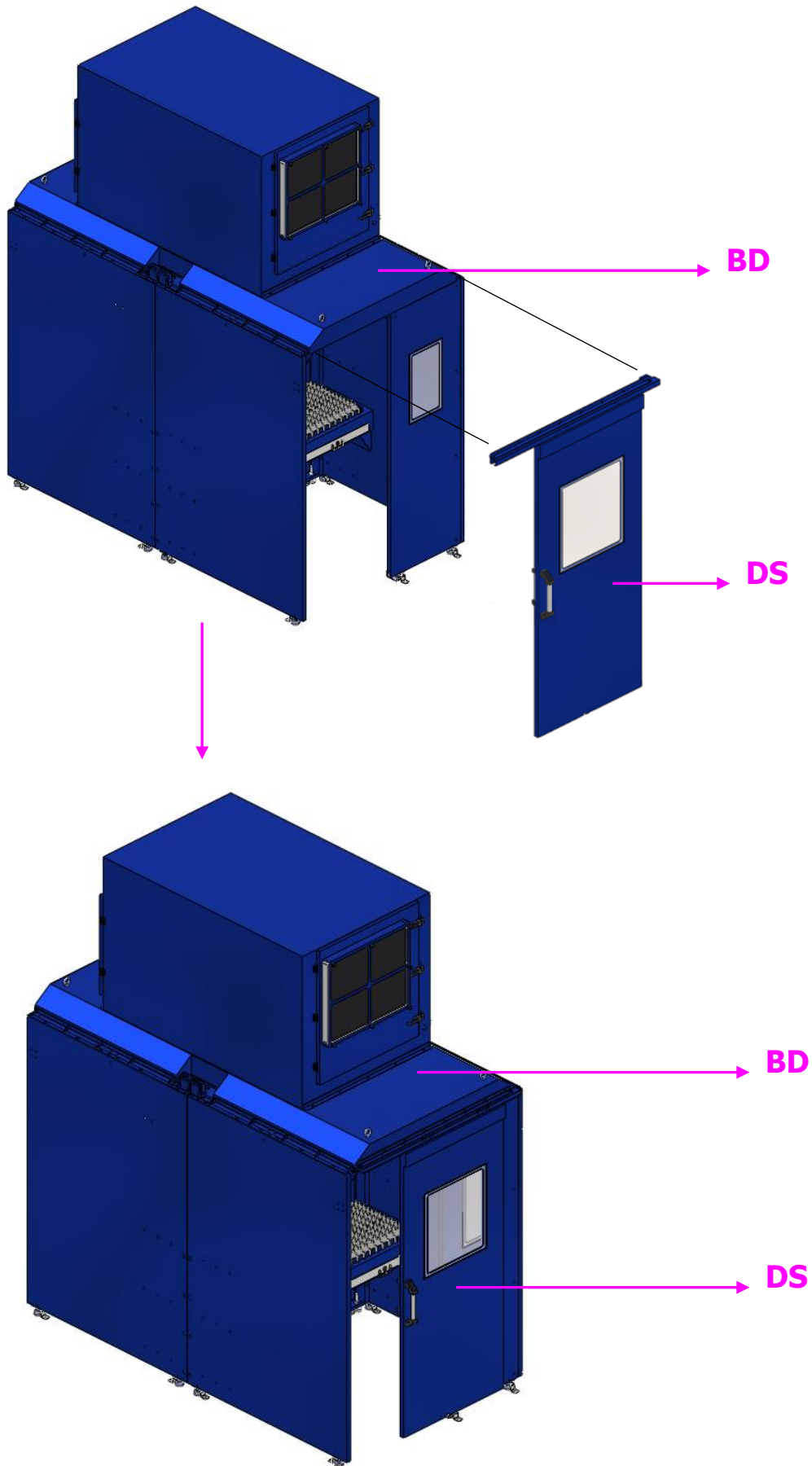
✚ Installations for WB-6055 (booth back to back).

- Take out the number: **DS**
- Fasten **DS** to **BD** with:

Hardware H				
Part name	Description	Photos	Q'ty	Grainger Model #
Hex Screw	5/16 x 3/4"		8	1YU33
Flat Washer	5/16" x OD23 x 2T		8	*1JY31



(* Hardware item at similar spec available locally.

Installations for WB-6055 (booth back to back).



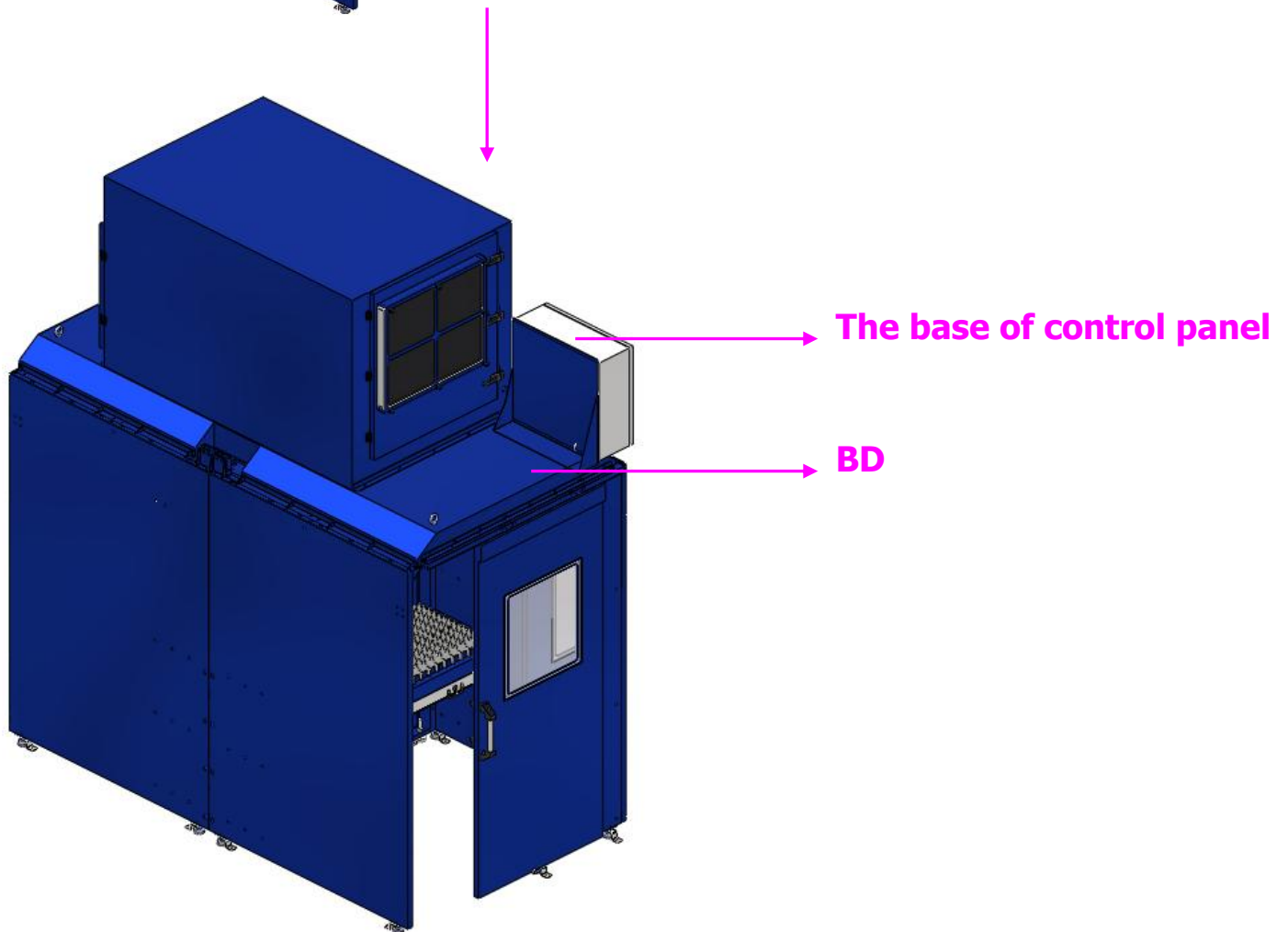
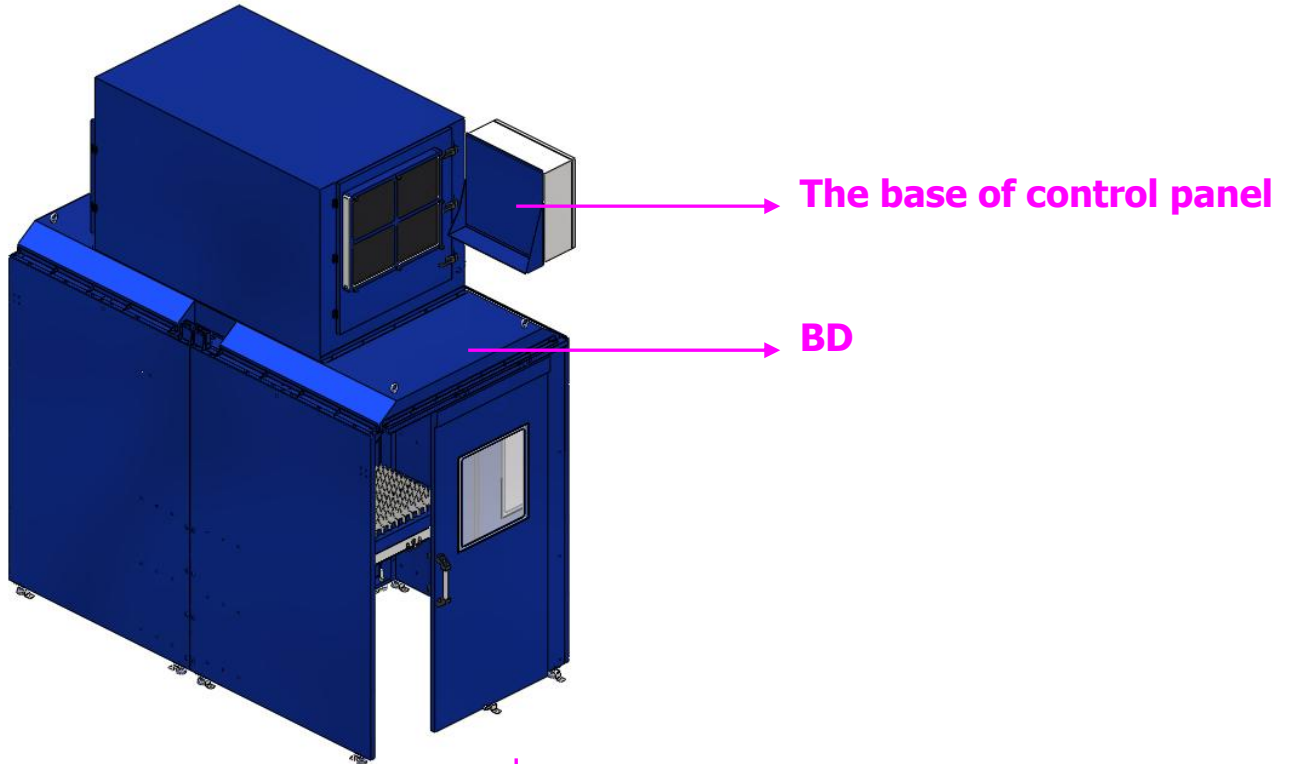
✚ Installations for WB-6055 (booth back to back).

- Take out the base of control panel
- Fasten the base of control panel to **BD** with:

Hardware P				
Part name	Description	Photos	Q'ty	Grainger Model #
Hex Screw	5/16 x 3/4"		4	1YU33
Flat Washer	5/16" x OD23 x 2T		4	*1JY31

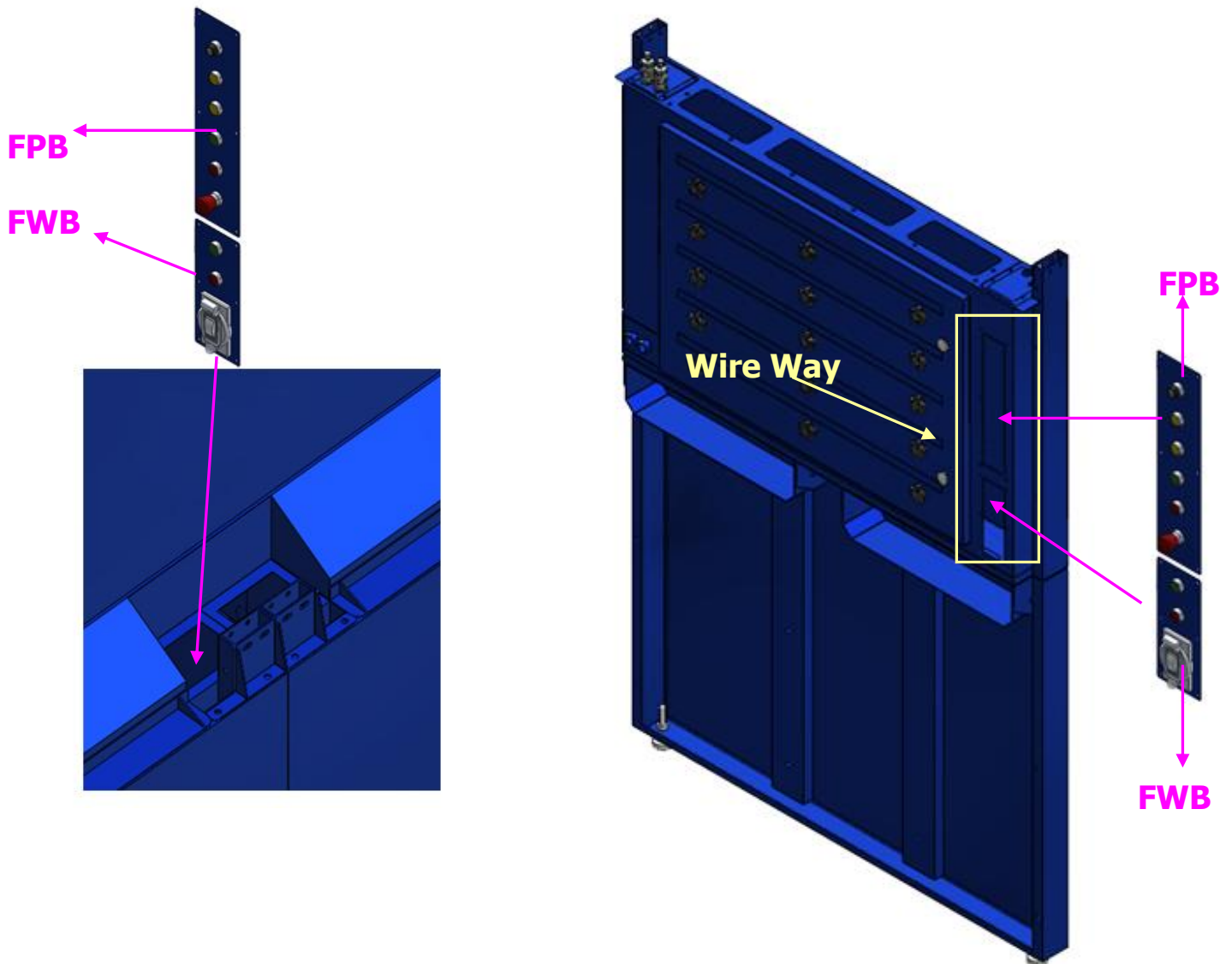
(* Hardware item at similar spec available locally.

✚ Installations for WB-6055 (booth back to back).



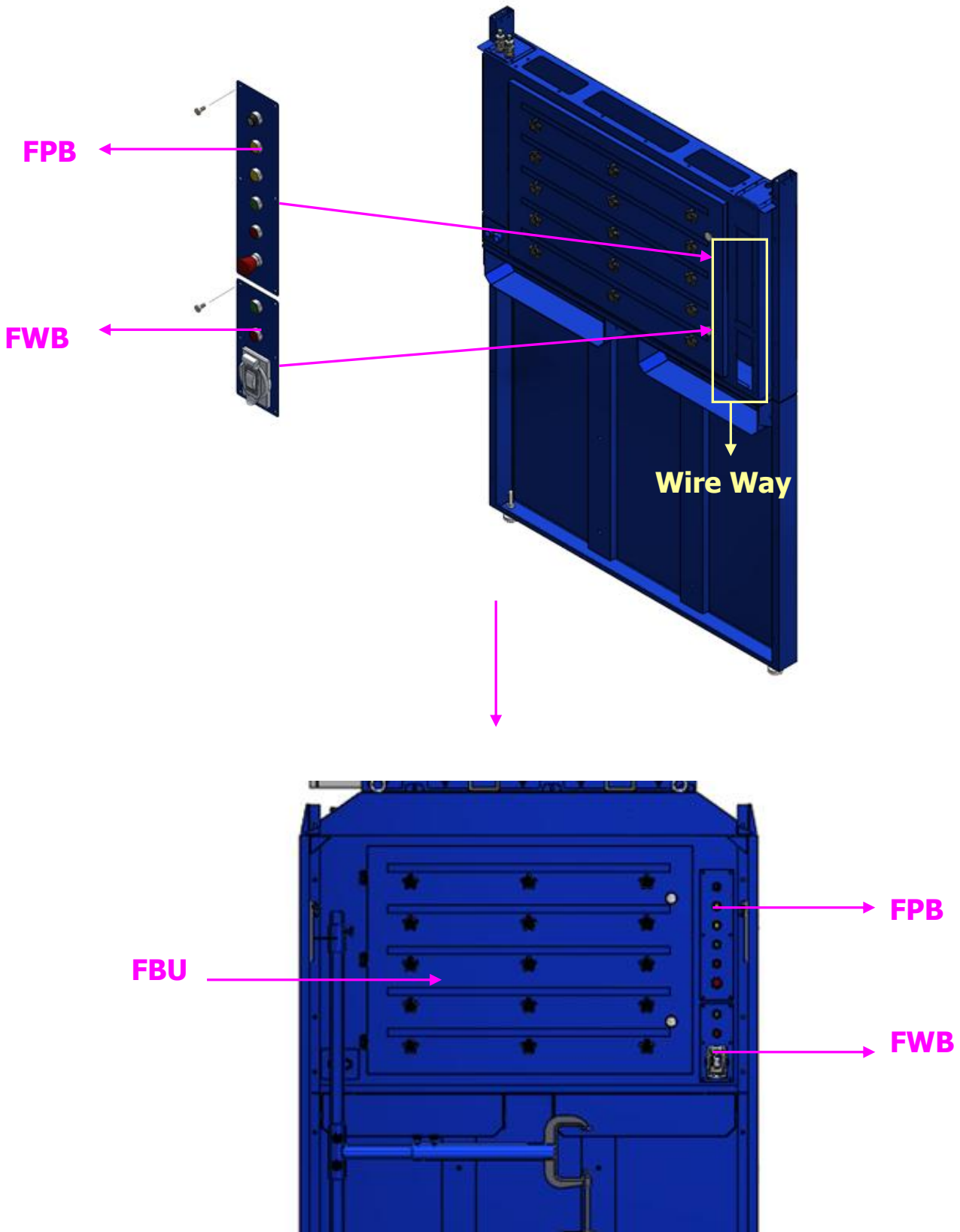
✦ Installations for WB-6055 (booth back to back).

- Take out the number: **FPB (6 Push Button)** and **FWB**
- Have **FPB (6 Push Button)** and **FWB** go through the hole and take it out from the wireway of **FBU**.



✚ Installations for WB-6055 (booth back to back).

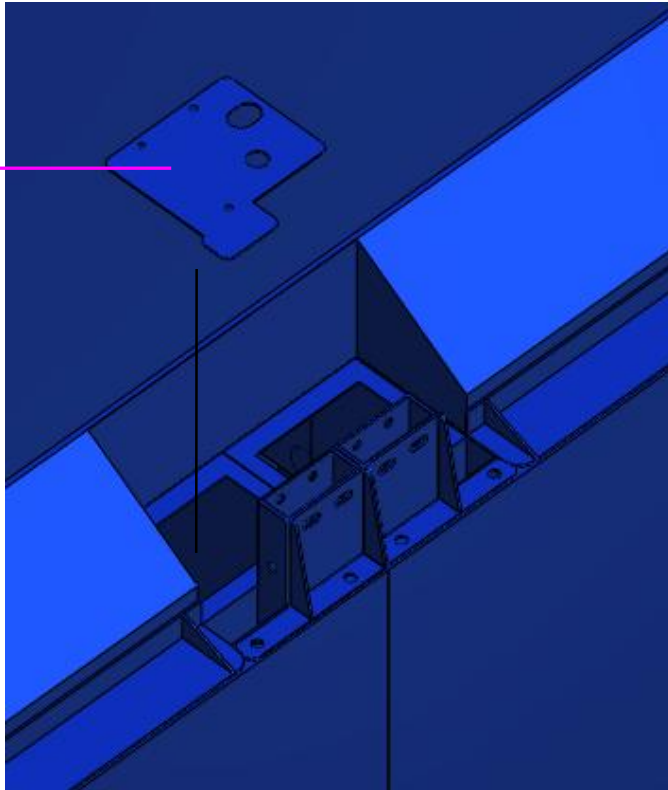
- Take out **FPB (6 Push Button)** and **FWB** from the bottom of the wireway.
- Fasten **FPB (6 Push Button)** and **FWB** on the **FBU**



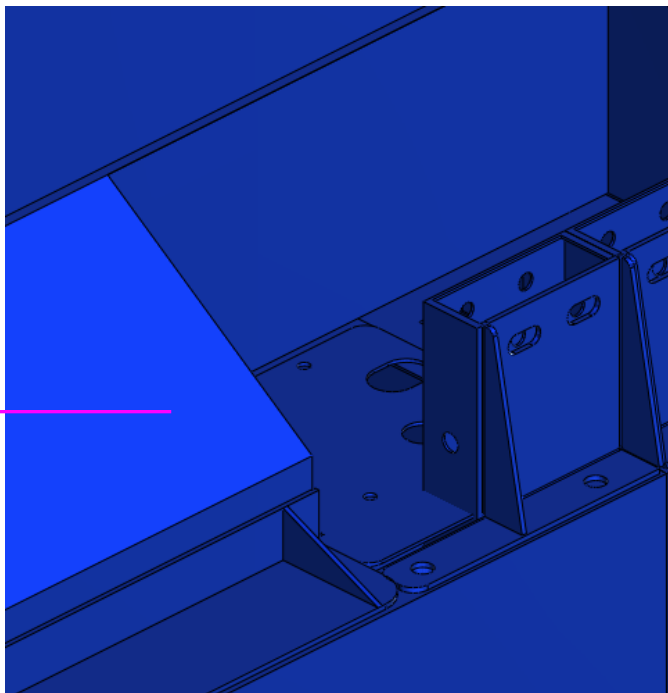
✚ Installations for WB-6055 (booth back to back).

- Fasten the **Iron Plate** on **FBU**.

Iron Plate

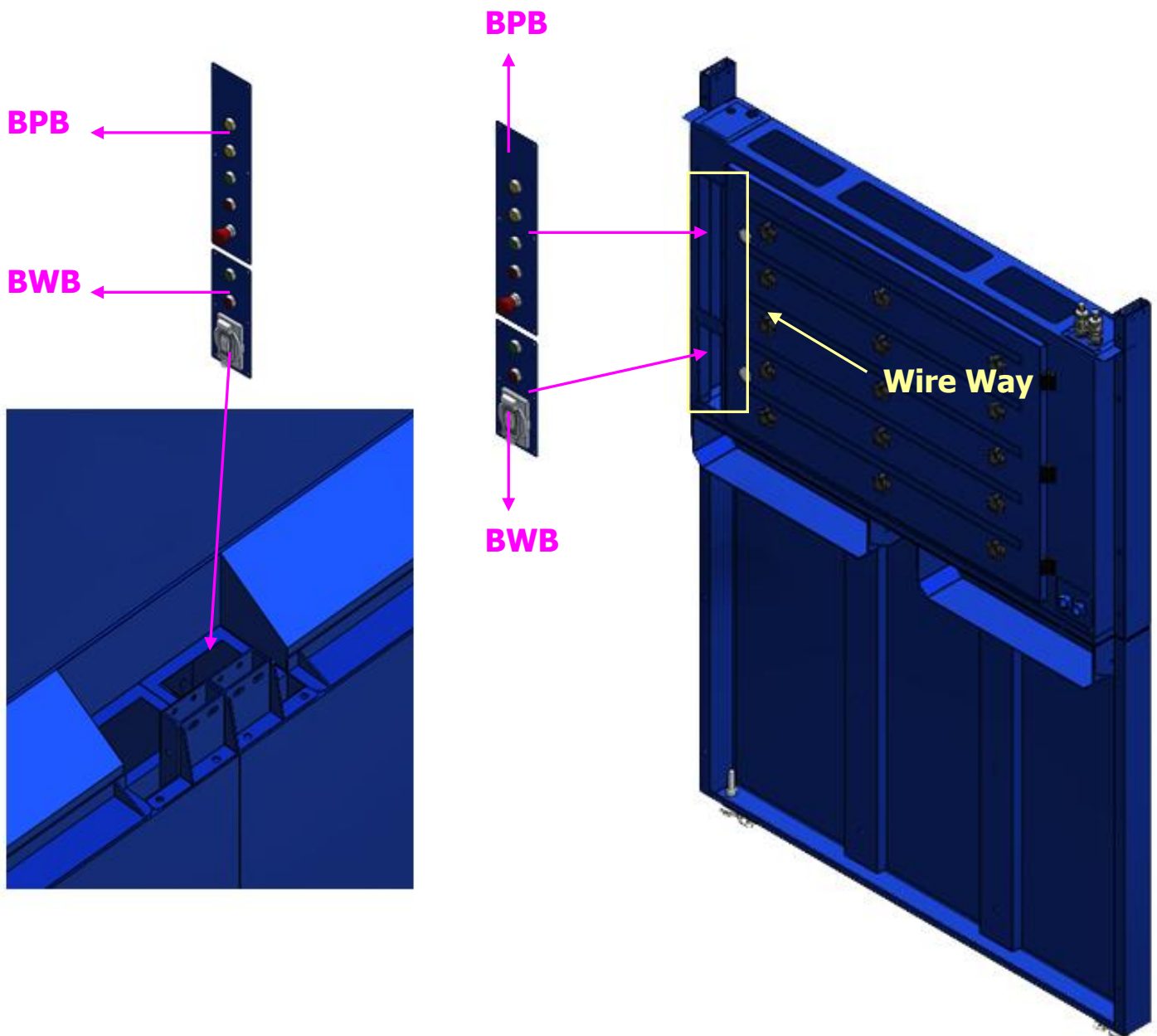


Iron Plate



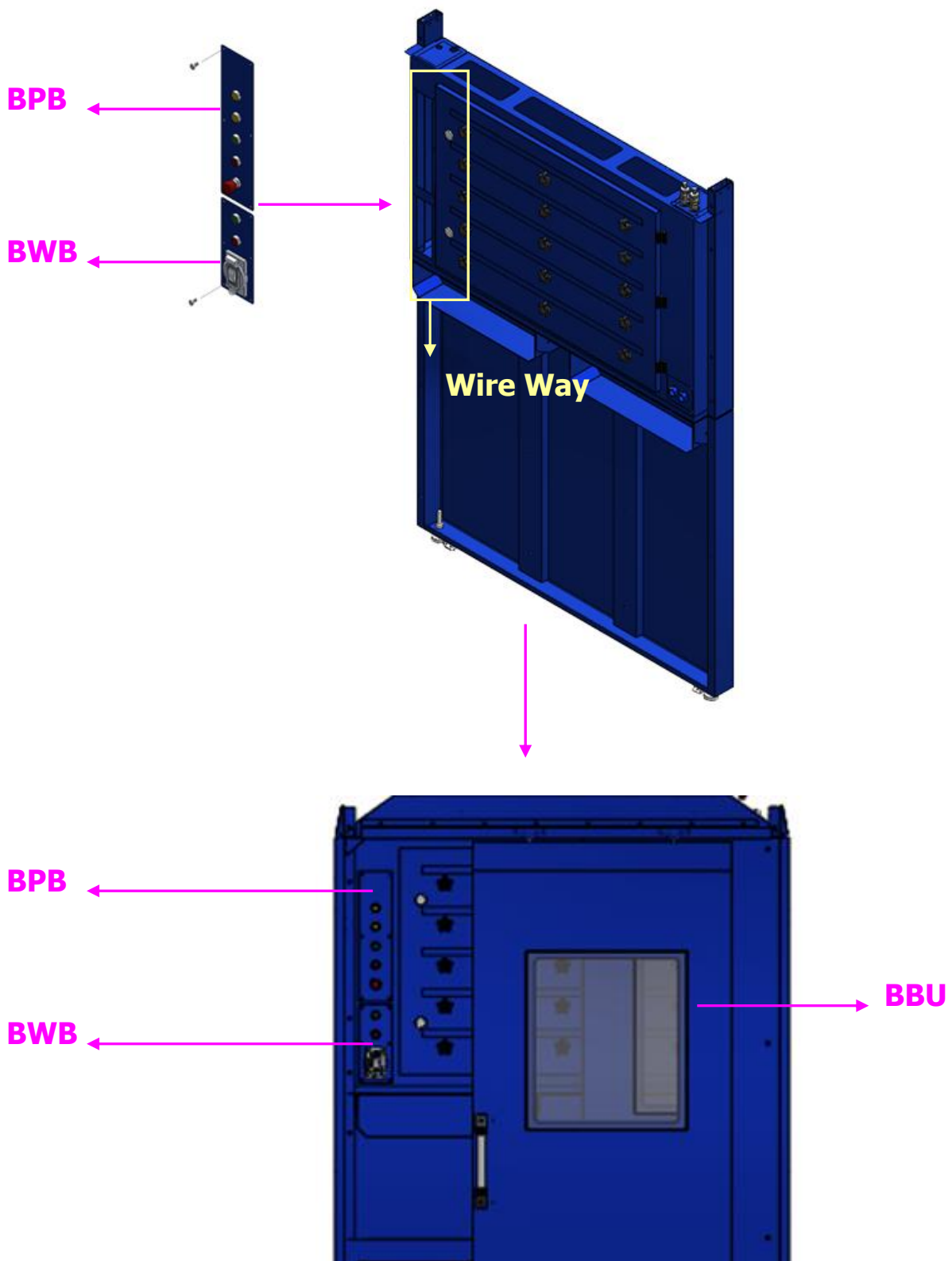
✚ Installations for WB-6055 (booth back to back).

- Take out the number: **BPB (5 Push Button)** and **BWB**
- Have **BPB (5 Push Button)** and **BWB** go through the hole and take it out from the wireway of **BBU**.



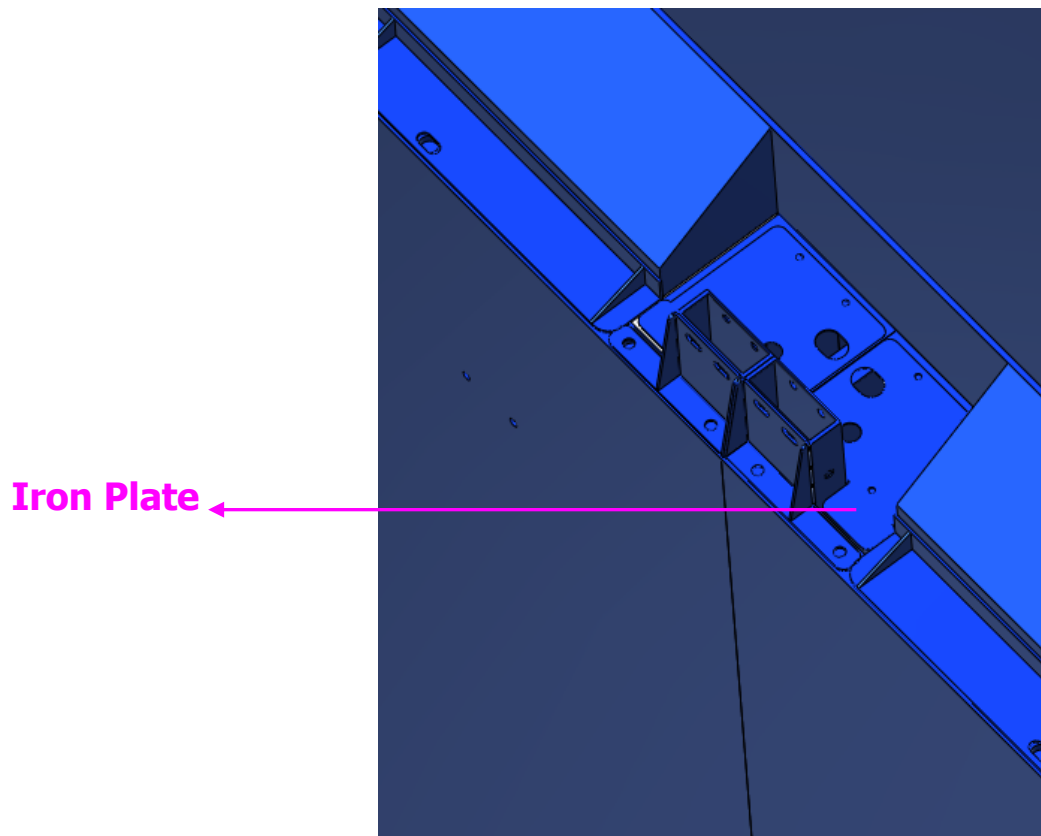
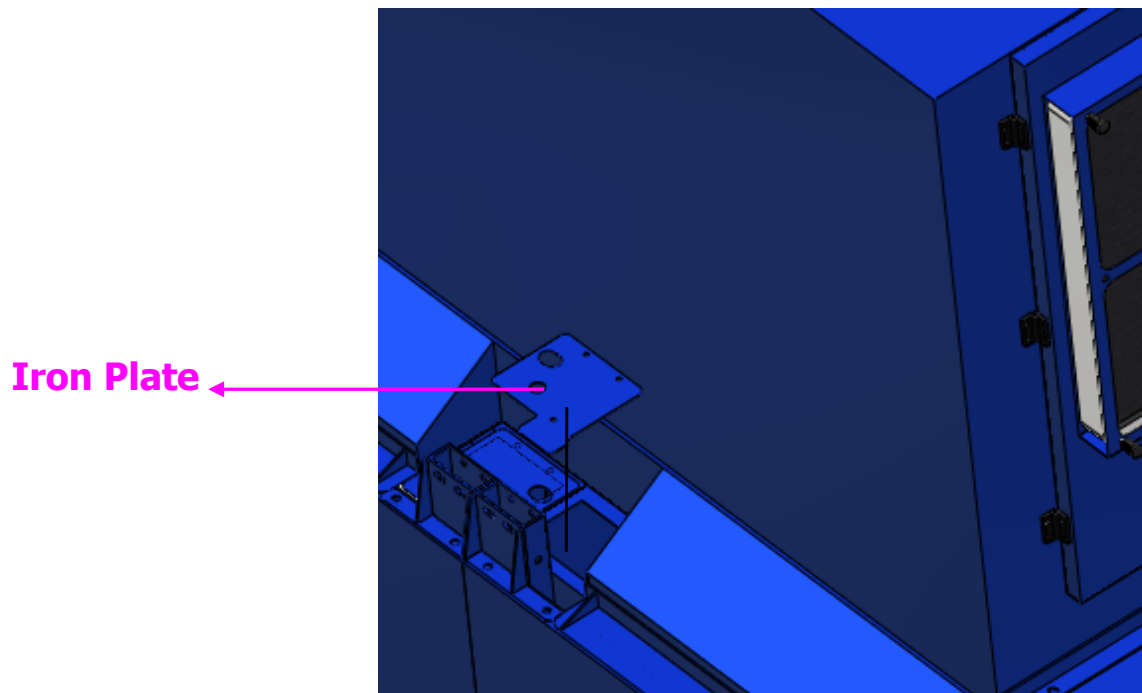
✚ Installations for WB-6055 (booth back to back).

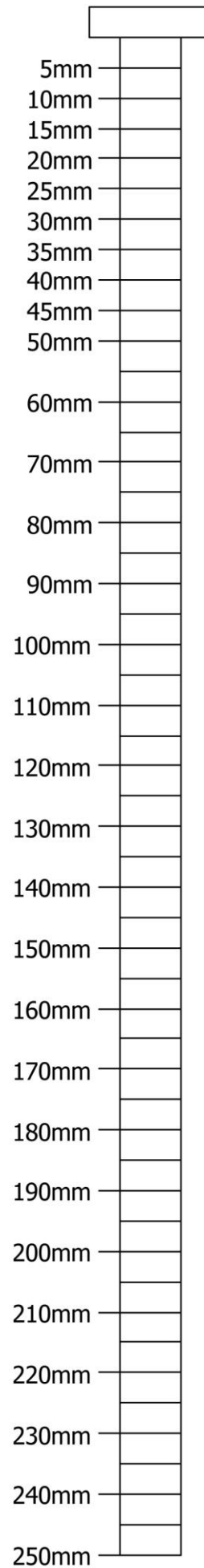
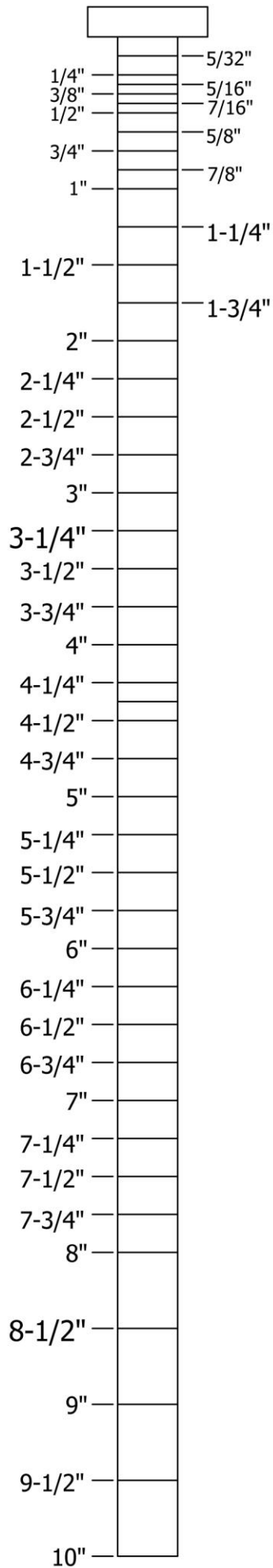
- Take out **BPB (5 Push Button)** and **BWB** from the bottom of the wireway.
- Fasten **BPB (5 Push Button)** and **BWB** on the **BBU**



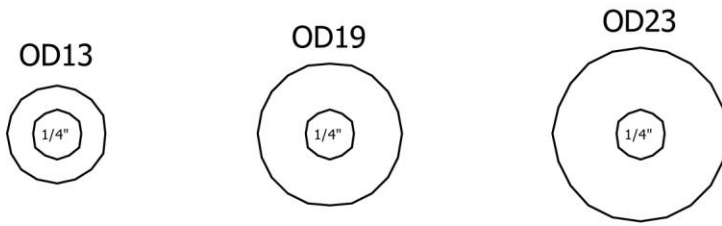
✚ Installations for WB-6055 (booth back to back).

- Fasten the **Iron Plate** on **BBD**.

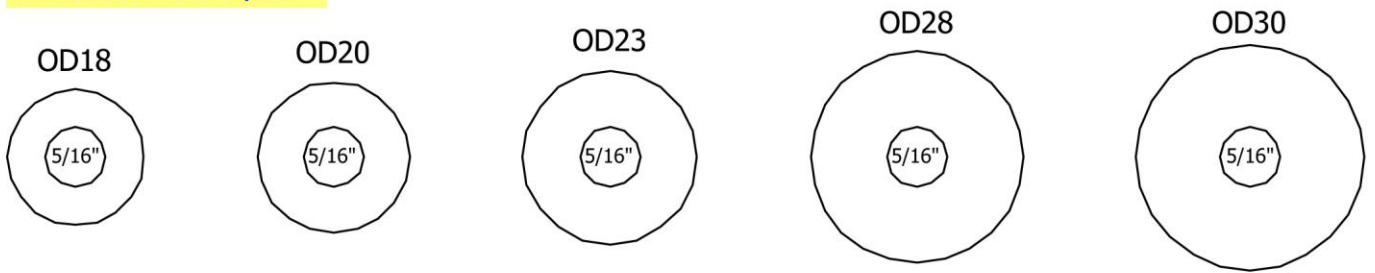




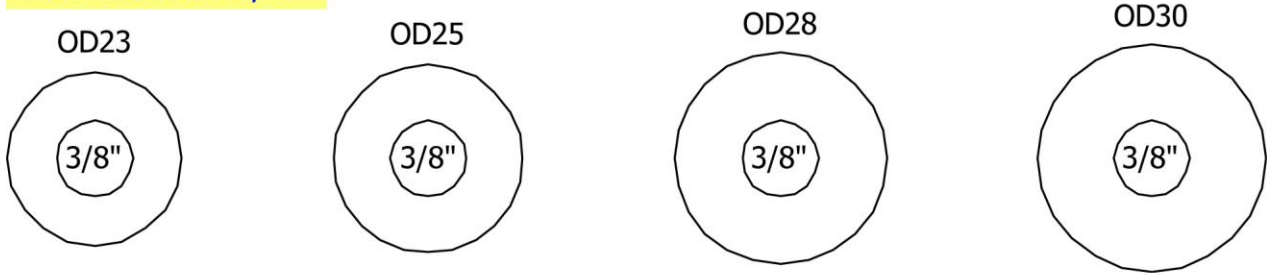
Flat Washer: 1/4"



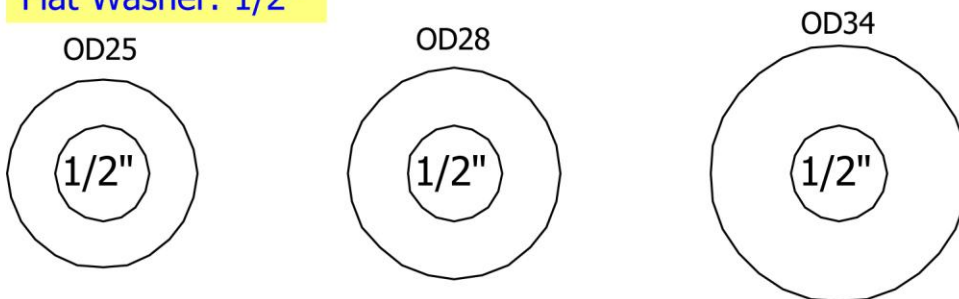
Flat Washer: 5/16"



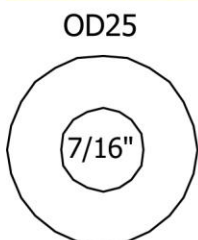
Flat Washer: 3/8"



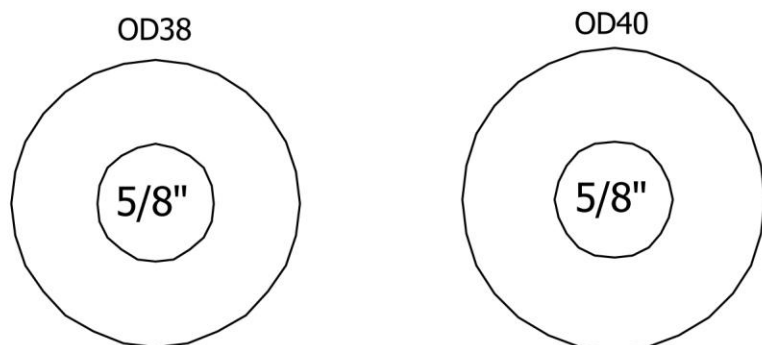
Flat Washer: 1/2"



Flat Washer: 7/16"



Flat Washer: 5/8"



HEX NUT

3/16"



HEX NUT

1/4"



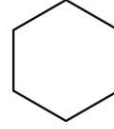
HEX NUT

5/16"



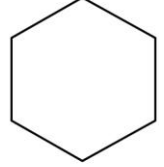
HEX NUT

3/8"



HEX NUT

1/2"



HEX NUT

NYLON HEX NUT

1/4"



NYLON HEX NUT

5/16"



NYLON HEX NUT

3/8"



NYLON HEX NUT

1/2"



NYLON HEX NUT