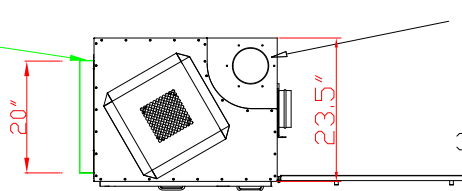


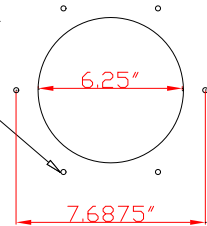
Dimensional drawing for the Oskar SPC-750 w/Legs

HEPA Filter
22"x 20"x 3" deep



Inlet flange:
Bolt hole detail

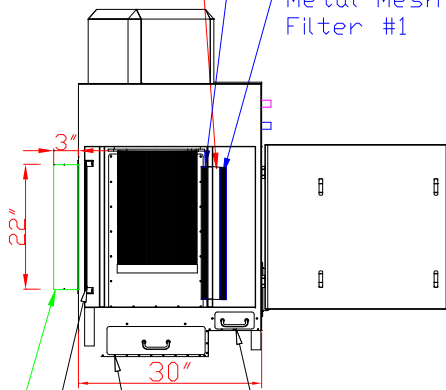
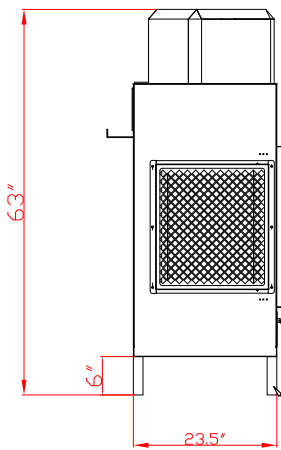
6 Holes
3/16" diameter



Note: There is
a 1" gap between
filters 1 and 2

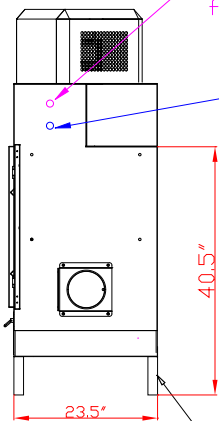
Metal Mesh
Filter #2

Metal Mesh
Filter #1



1/2" NPT fitting
for water connection

1/2" air fitting
for pulse system



Cleanout drawer:
Metal mesh filters

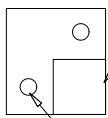
Cleanout drawer: Main filter

Carbon Filter

Legs

Legs

Plan View of
Foot Detail



Two holes $\frac{7}{16}$ " diameter.
Foot turned to the inside

HEPA Filter
22"x 20"x 3" deep

Industrial Air Quality

102 AG DRIVE

Youngsville, NC 27596

P# 919-562-7181 F# 919-562-7182

IAQ

Project: Oskar SPC 750

Drawing: SPC 750

Date: 3/16/09 Drawn by: RAV

Sheet No:

