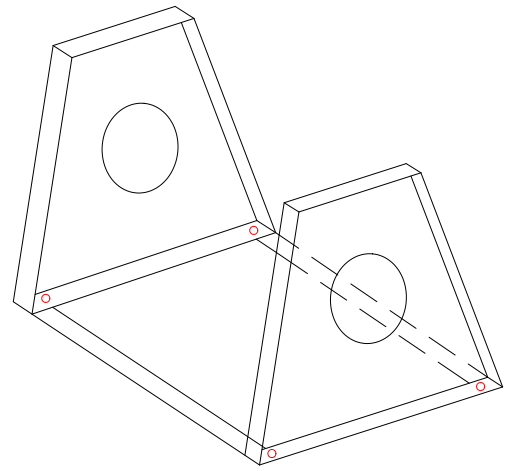
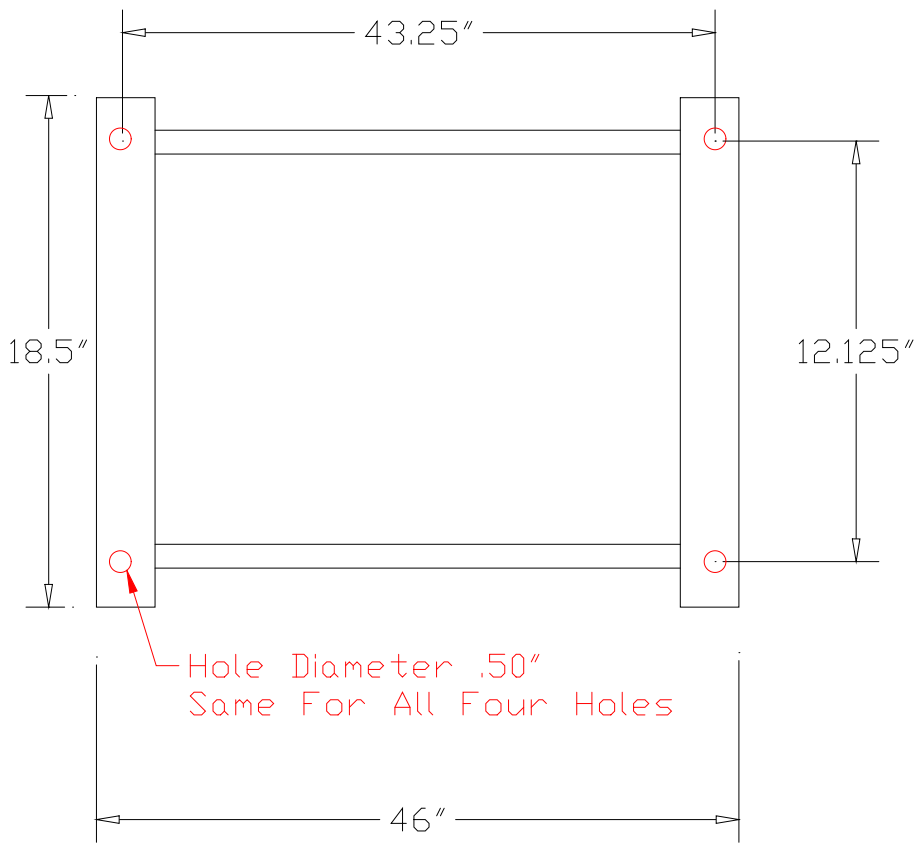


# Oskar Hole Reel Bolt Pattern

Plan View



Industrial Air Quality 102 AG DRIVE Youngsville, NC 27596 P# 919-562-7181 F# 919-562-7182	<b>IAQ</b>
Project: D L Withers	
Drawing: Oskar Hose Reel	
Date: 1/30/07	Drawn by: RAV
Sheet No:	