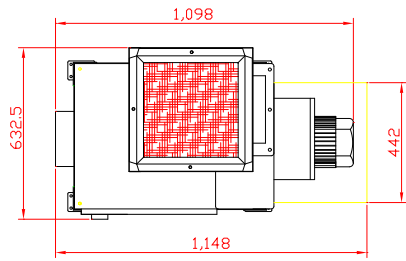


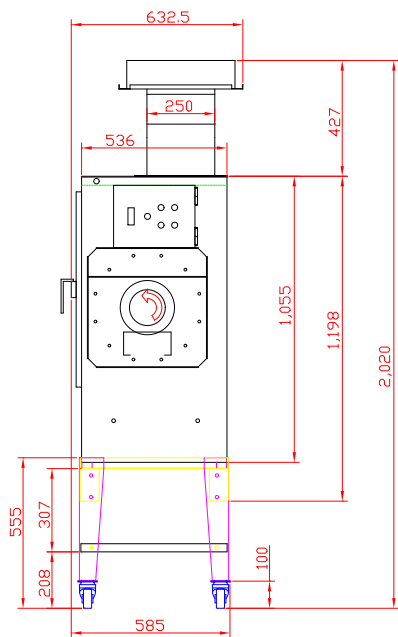
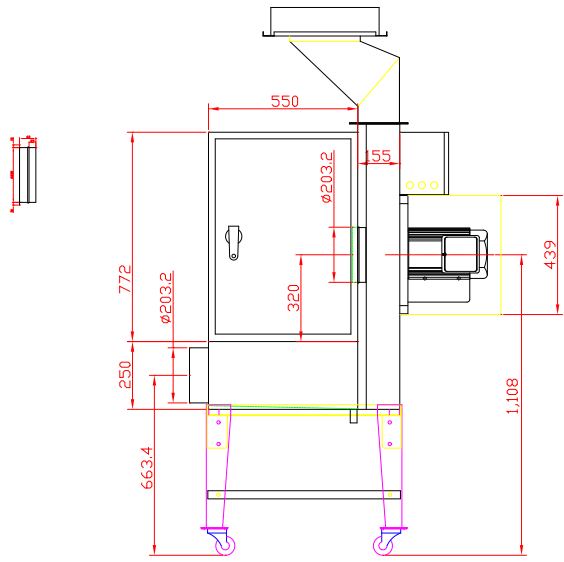
DO NOT SCALE IF IN DOUBT ASK



Revisions			
Rev	Description	Date	Approved



Note: Dimensions are in mm



Oskar Air Products
 95 Cypress Dr
 Youngsville, NC 27596
 919-971-4326

Mike Connors
 Office 919-571-2862
 mconnors@oskarsales.com

	Date	Name	Part Number:	Title:
Drawn by:	XX-XX-XX	XXXXX	PART NO.	FE-1200A
Checked by:				

This drawing is confidential and is the exclusive property of Industrial Air Quality. No unauthorized use/copy or disclosure is to be made and it is returned whenever required.

Size	Scale	Drawing Number:
A	1 = 20	DWG NO.

