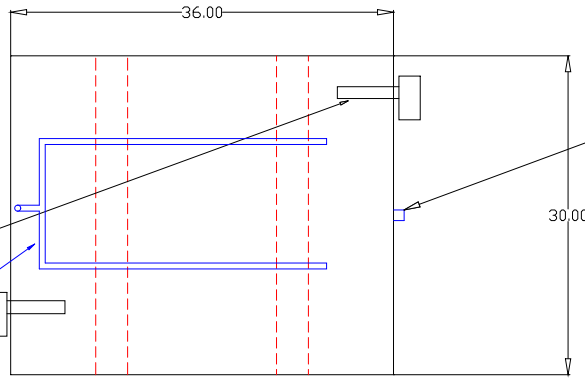


# Absolent Filter Wash Box

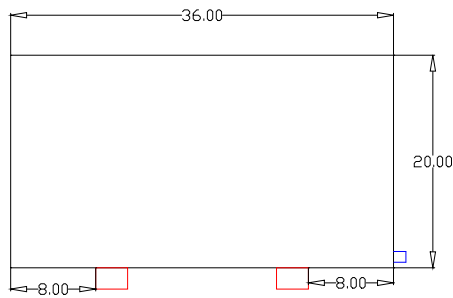
Note:  
Hem all top Edges

120 volt heater  
1000 watts

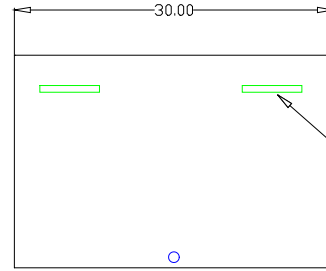
1/2" Black iron pipe  
with 1/16" holes drilled  
in top. This will allow air  
to bubble through



Weld  $\frac{3}{4}$ " drain pipe,  
centered on side,  
 $\frac{1}{2}$ " off bottom.



Weld two 3" C-Channel across  
(Can be 2" Square Tube)



Install two  
handles each  
side near  
top.

Box made of 16 gage Gal.  
Weld all seams. Box to be  
water tight.

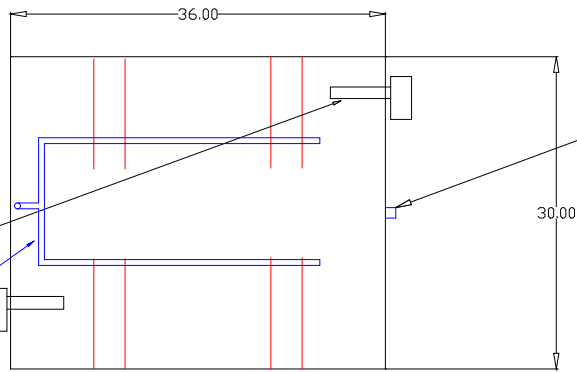
Note:  
All Dimension are in  
inches.

Industrial Air Quality		<b>IAQ</b>
102 AG DRIVE Youngsville, NC 27596		
P# 919-562-7181 F# 919-562-7182		
Project: Filter Wash System		
Drawing: Filter Wash Box		
Date: 1/23/03	Drawn by: W/WB	
Sheet No: 1 of 2		

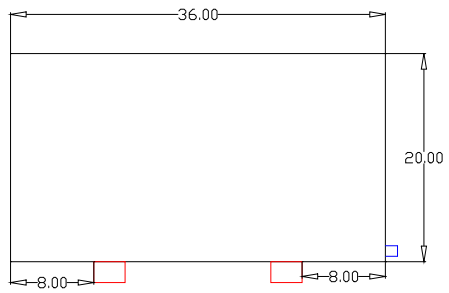
# Absolent Filter Wash Box

Note:  
Hem all top Edges

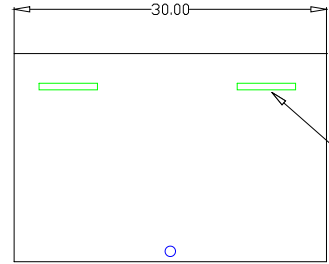
120 volt heater  
1000 watts  
1/2" Black iron pipe  
with 1/16" holes drilled  
in top. This will allow air  
to bubble through



Weld 3/4" drain pipe,  
centered on side,  
1/2" off bottom.



Weld two 3" C-Channel across  
(Can be 2" Square Tube)



Install two  
handles each  
side near  
top.

Box made of 16 gage Gal.  
Weld all seams. Box to be  
water tight.

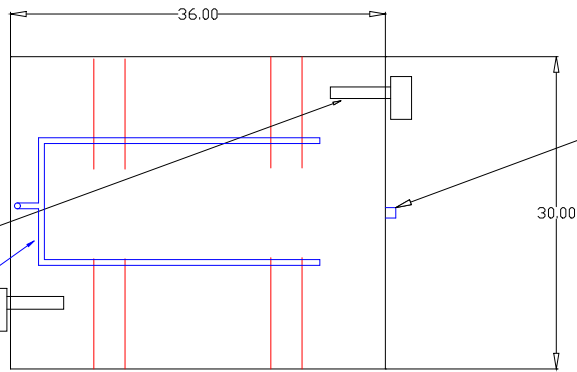
Note:  
All Dimension are in  
inches.

Industrial Air Quality		<b>IAQ</b>
102 AG DRIVE Youngsville, NC 27596		
P# 919-562-7181 F# 919-562-7182		
Project: Filter Wash System		
Drawing: Filter Wash Box		
Date: 1/23/03		Drawn by: WWB
Sheet No: 1 of 2		

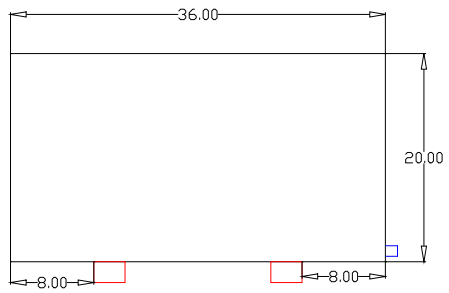
# Absolent Filter Wash Box

Note:  
Hem all top Edges

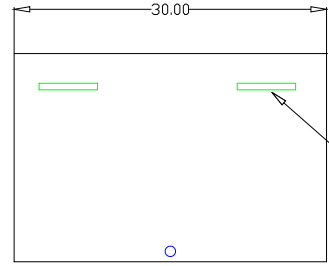
120 volt heater  
1000 watts  
1/2" Black iron pipe  
with 1/16" holes drilled  
in top. This will allow air  
to bubble through



Weld 3/4" drain pipe,  
centered on side,  
1/2" off bottom.



Weld two 3" C-Channel across  
(Can be 2" Square Tube)



Install two  
handles each  
side near  
top.

Box made of 16 gage Gal.  
Weld all seams. Box to be  
water tight.

Note:  
All Dimension are in  
inches.

Industrial Air Quality		<b>IAQ</b>
102 AG DRIVE Youngsville, NC 27596		
P# 919-562-7181 F# 919-562-7182		
Project: Filter Wash System		
Drawing: Filter Wash Box		
Date: 1/23/03		Drawn by: W/WB
Sheet No: 1 of 2		