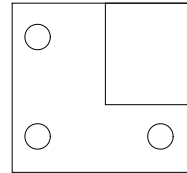
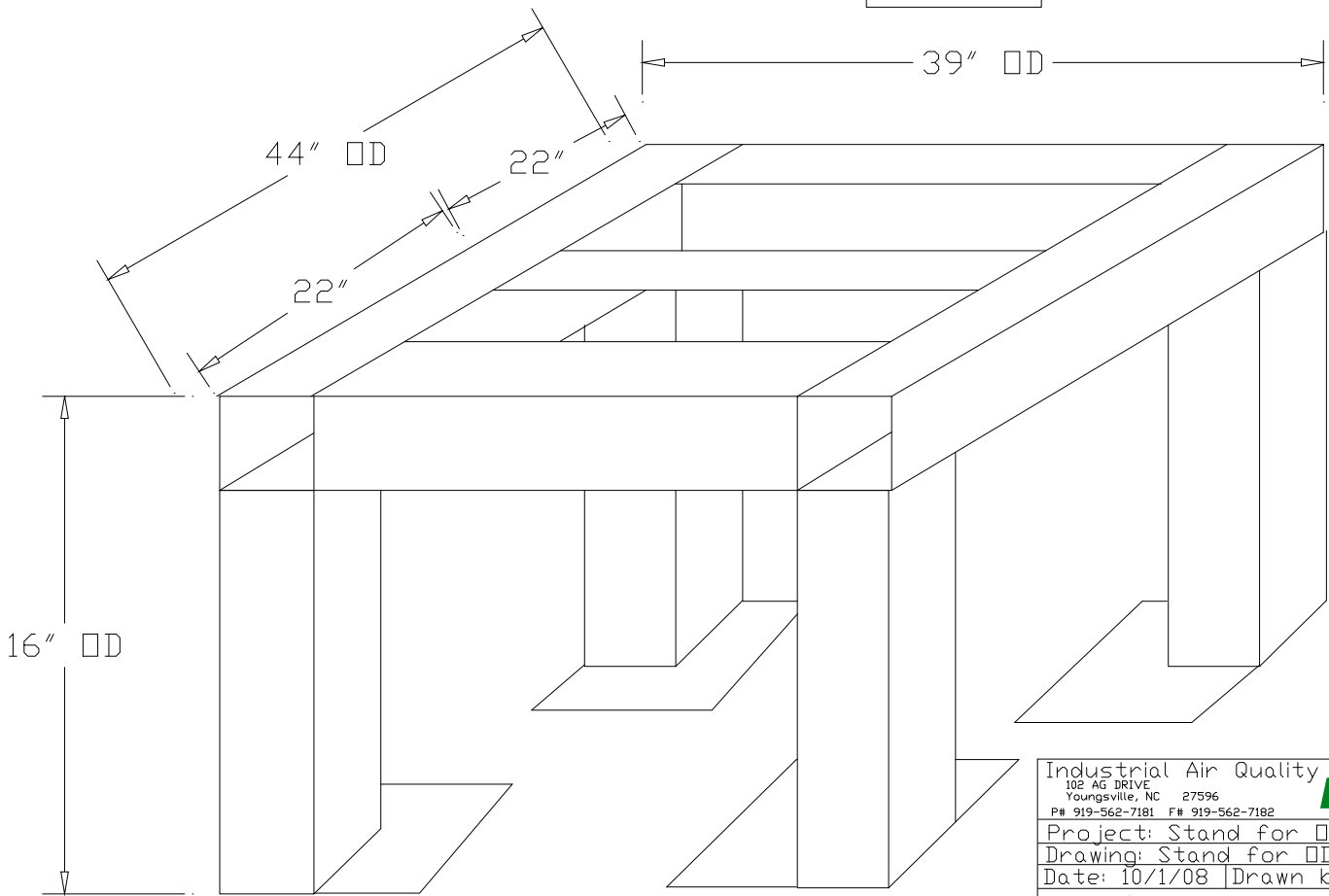


Stand for □DR 3000

- A) Use 2" square tubing, 1/8" tick wall
- B) Weld together



Plan View
 1/4" Thick plate
 Holes are 1/2" dia
 Plate 6" square



Industrial Air Quality		IAQ
102 AG DRIVE Youngsville, NC 27596		
P# 919-562-7181	F# 919-562-7182	
Project: Stand for □DR 3000		
Drawing: Stand for □DR 3000		
Date: 10/1/08	Drawn by: RAV	
Sheet No:		