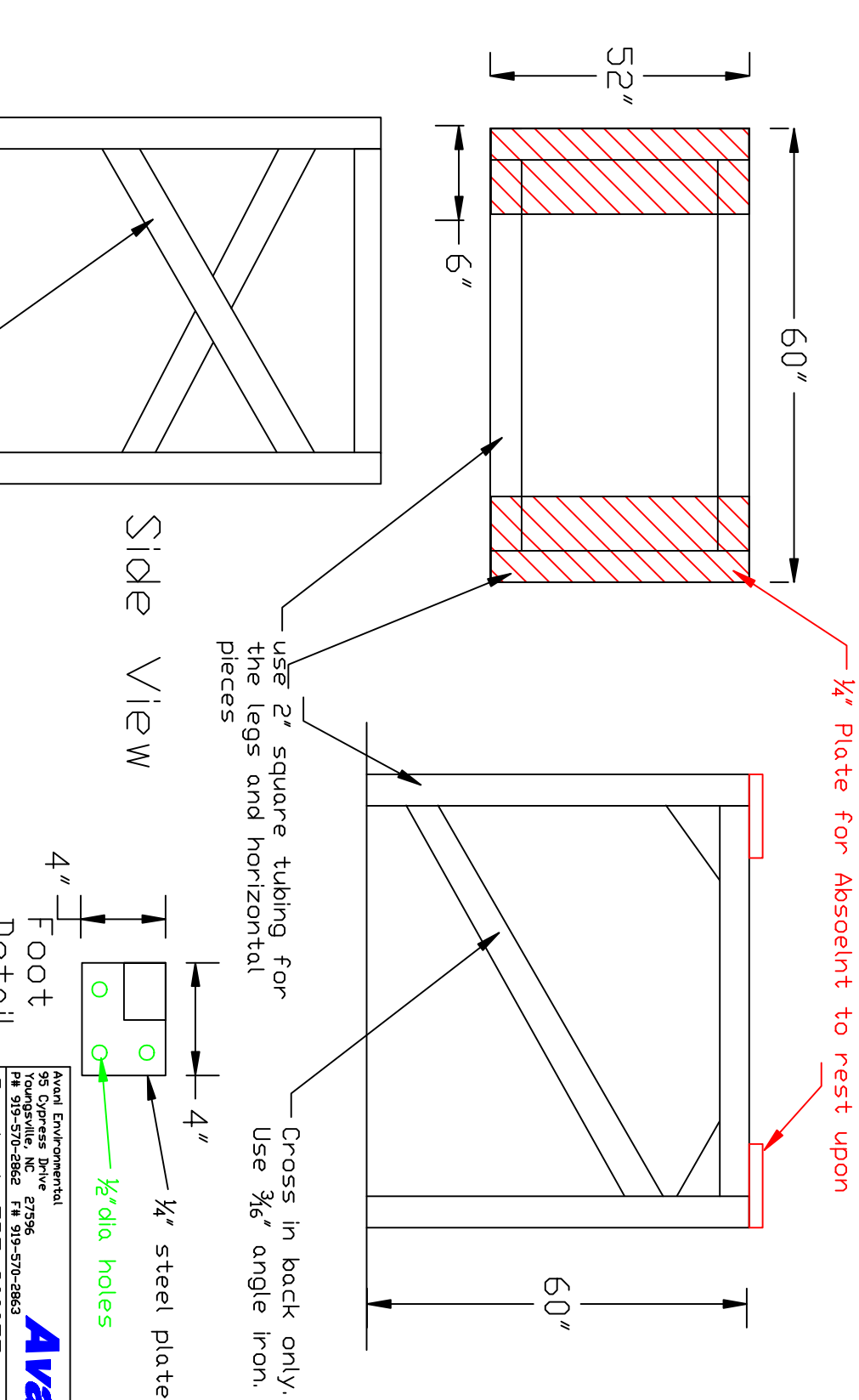


Absolent Ductwork Layout

Plan View

Front View



Avanti Environmental
 95 Cypress Drive 27596
 Raleighville, NC
 P# 919-570-2862 F# 919-570-2863

Avani

Project: DDF 8000TF
 Drawing: Stnd
 Date: 12/30/10 Drawn by: RAV
 Sheet No: