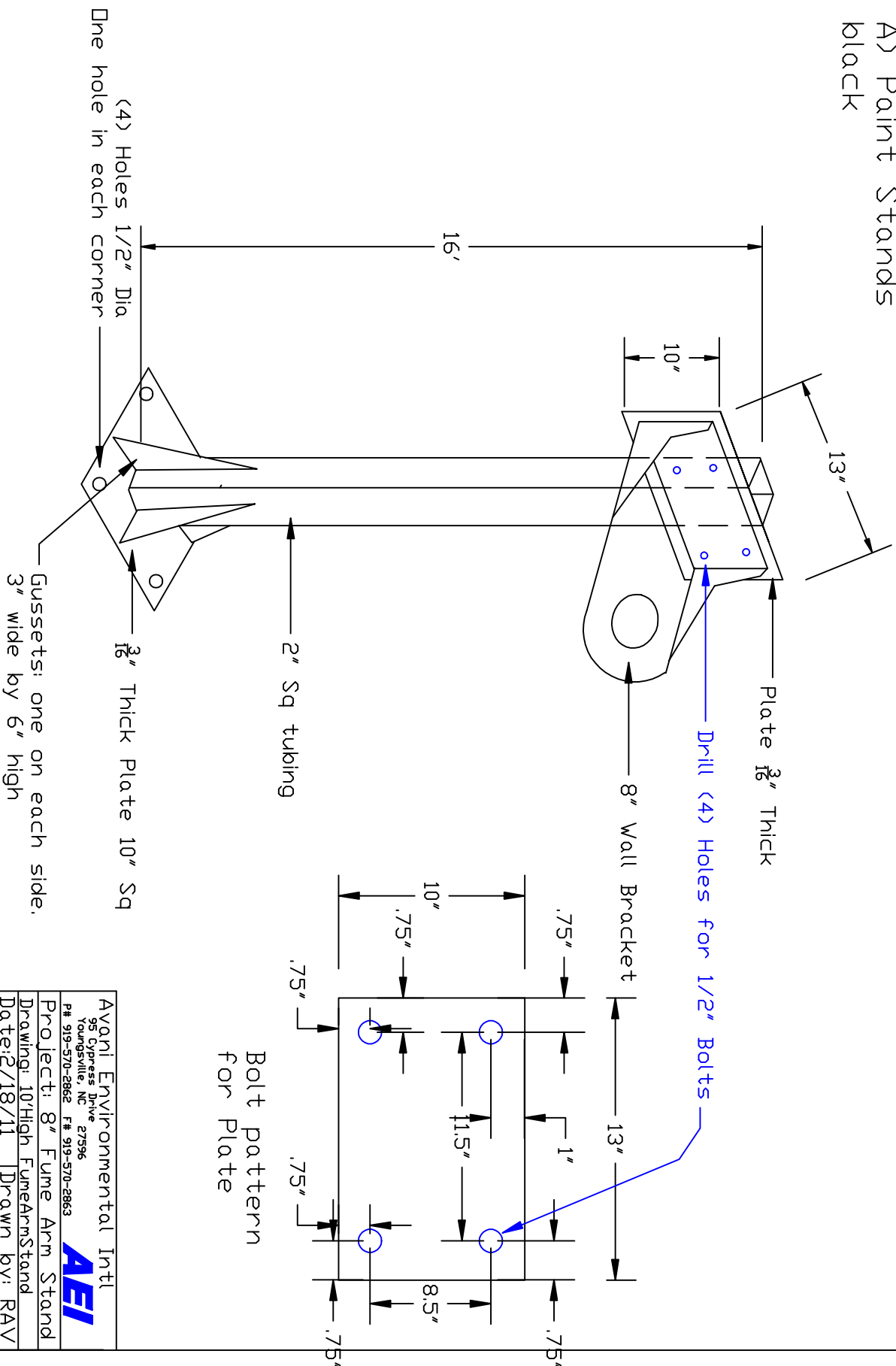


# 8" Dia Avani Fume Arm Stand

Notes:  
 A) Paint Stands  
 black



Avani Environmental Int'l	
95 Cypress Drive 27596	
Youngsville, NC F# 919-570-2863	
P# 919-570-2862	
Project: 8" Fume Arm Stand	AEI
Drawing: 10' High Fume Arm Stand	
Date: 2/18/11	Drawn by: RAV
Revision	Date: