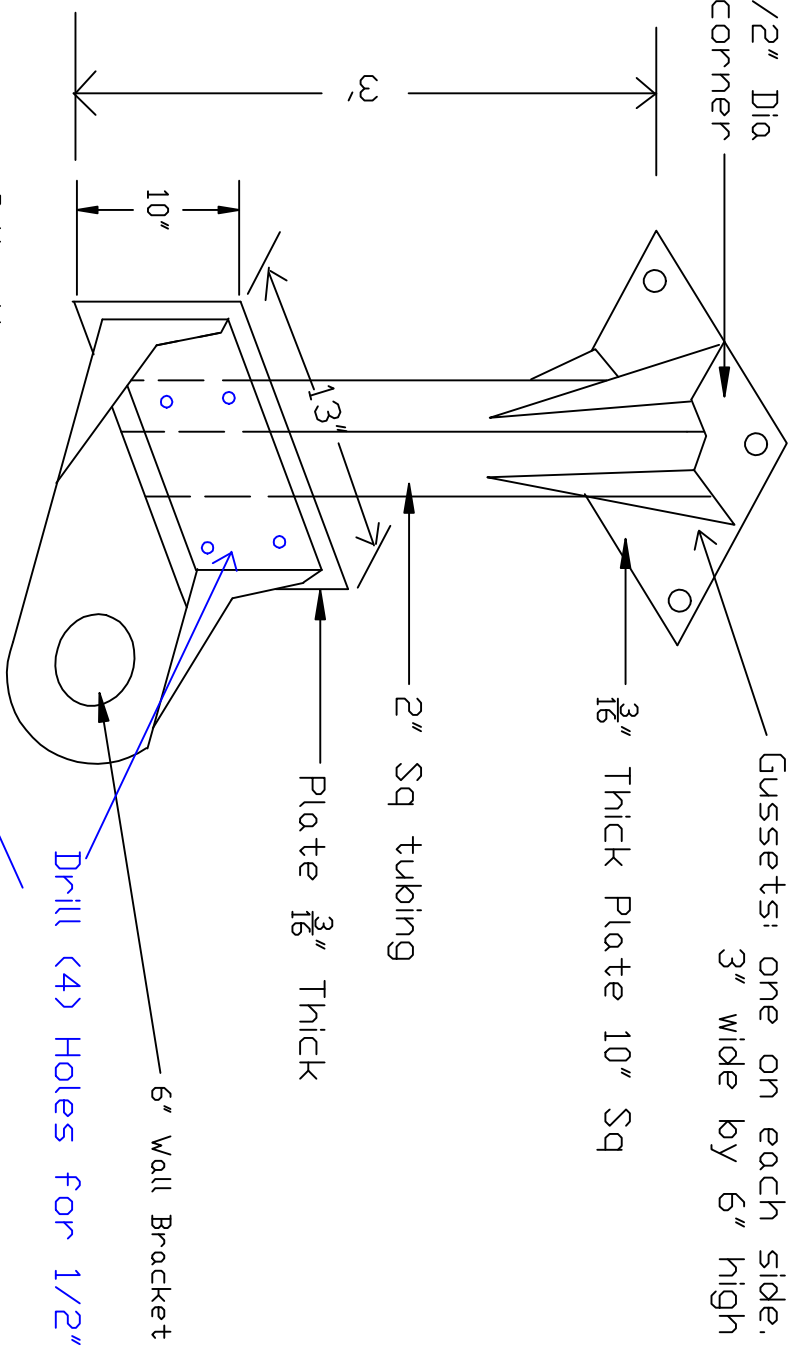


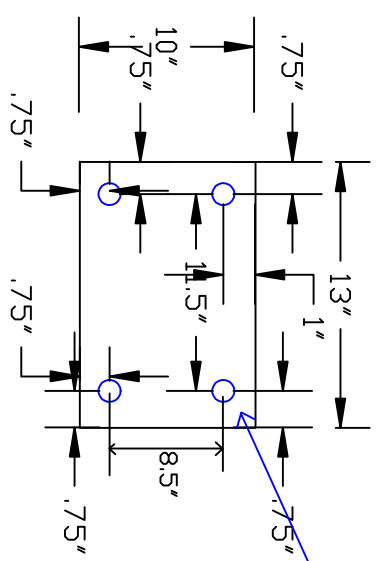
Avani Environmental Intl. Inc.  
 6" Dia Arm Bracket w/3' High Ceiling Mount

(4) Holes 1/2" Dia  
 One hole in each corner  
 Gussets: one on each side.  
 3" wide by 6" high



Bolt pattern  
for Plate

Drill (4) Holes for 1/2" Bolts



Avani Environmental
95 Cypress Drive 27596
Youngsville, NC # 919-570-2862 F# 919-570-2863
6" Fume Arm Ceiling Mount
Drawing: 3' High Ceiling Mount
Date: 11/29/11   Drawn by: DJJ
Revision Date: