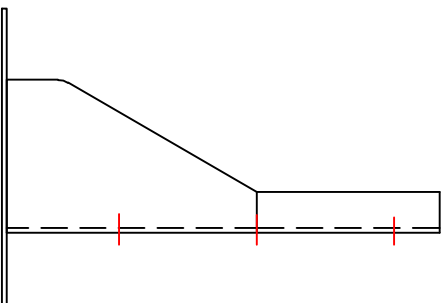
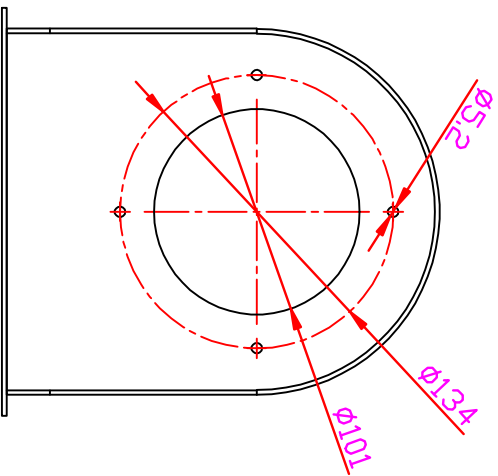
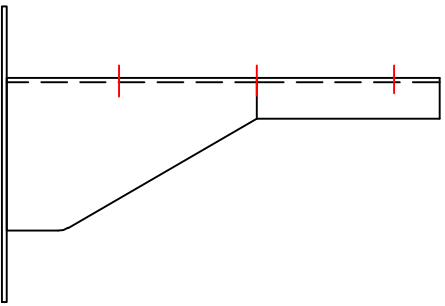
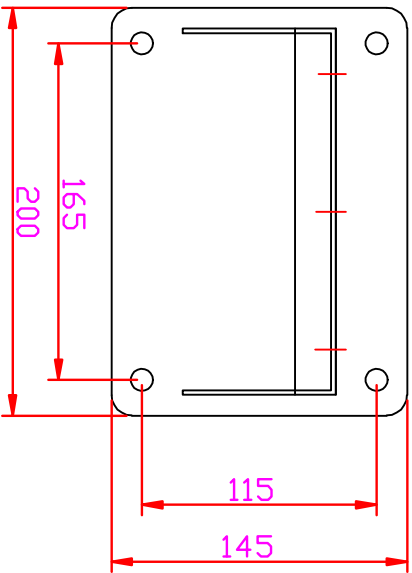


DO NOT SCALE

IF IN DOUBT ASK



Revisions		
Rev	Description	Date



AVANT ENVIRONMENTAL INTL. INC. Sales Department

95 Cypress Drive

Youngsville, NC 27596

(919) 570-2862

Info@avantenvironmental.com

Date	Name
2009-11-19	***

Part Number:
FE-MB-4

Title:

4inch arm swivel base bolt pattern

The drawing, AutoCAD, 3-D Models, and specifications are the property of Avant Environmental Int'l. Inc. (A/E) and may not be reproduced, distributed, modified, or otherwise used, except provided herein, without the express written permission of A/E.

Size	Scale	Drawing Number:
A	1 = 1	FE-MB-4