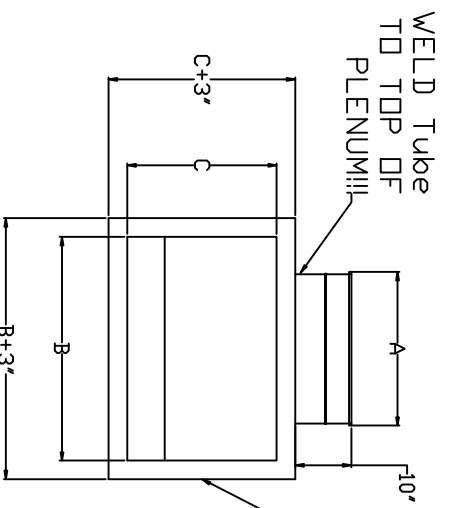


Plenum Box End View

Project:

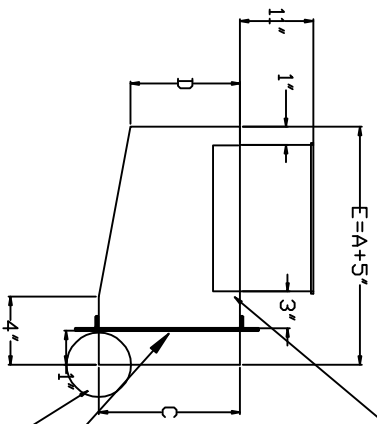
NOTES:

- A) MATERIAL: 18 GA. GALV.
- B) ALL SEAMS WELDED
- C) Use standard bolt hole pattern with 7/16" Holes
- D) For QF Collar, make it the diameter of a sleeve.

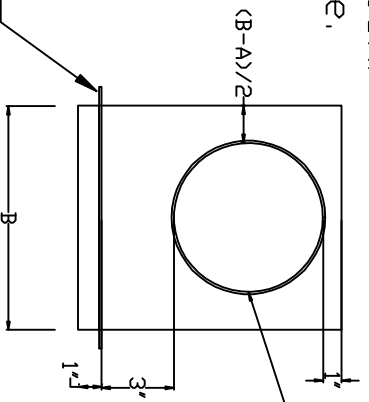


QF SIZE	A	B	C	D	E
8"	8"	12"	8"	5"	13"
9"	9"	12"	8"	5"	14"
10"	10"	12"	8"	5"	15"
12"	12"	16"	14"	5"	17"
14"	14"	17"	14"	10"	19"
16"	16"	18"	14"	10"	21"
18"	18"	21"	14"	10"	23"
20"	20"	26"	14"	10"	25"
22"	22"	30"	14"	10"	27"

Side View



Top View



Extend raw end of sleeve 1" into box. Weld from inside.

Jacob Tubing Flange
A dimension

Open End
NOTE: WELD ALL CORNERS ON BOTTOM INSIDE THE PLENUM!!!!

Industrial Air Quality
30 Mosswood Blvd. Suite 100
Ph: 919-562-7181 F#: 919-562-7182

Project: Absolent Plenum Box
Date: 10/07/08
Revision: update TF series
Rev: 1 Drawn by: RAV