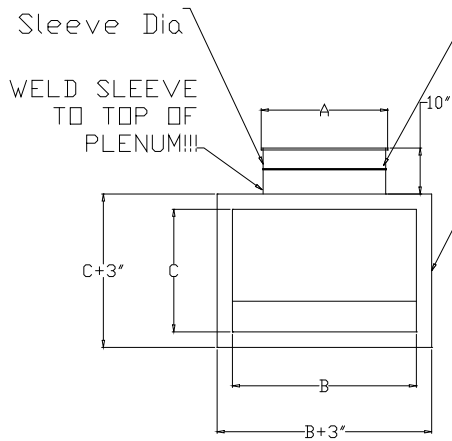


Plenum Box End View



Project:

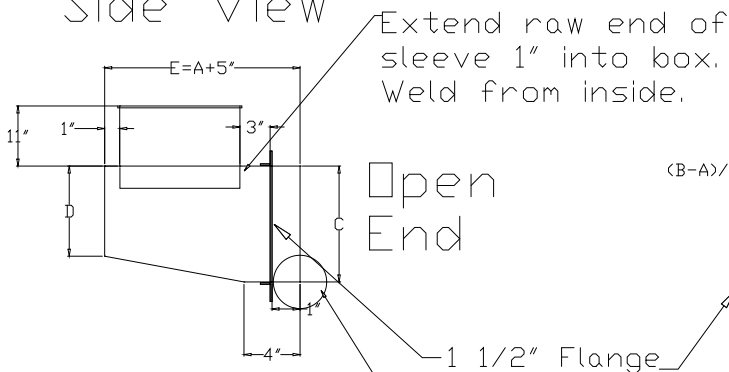
NOTES:

- A) MATERIAL: 18 GA. GALV.
- B) ALL SEAMS WELDED
- C) Use standard bolt hole pattern with 7/16" Holes
- D) For QF Collar, make it the diameter of a sleeve.

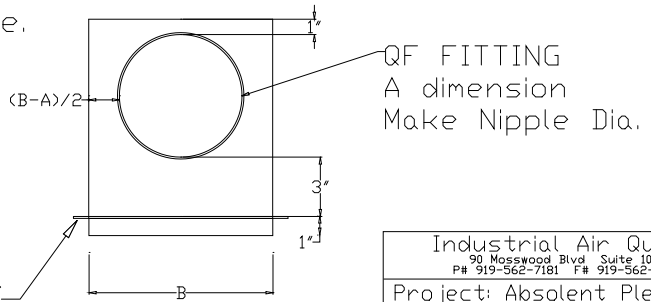
1 1/2" Angle Iron Flange with standard bolt pattern. WELD angle iron to box. POINT flange towards Sleeve.

QF SIZE	A	B	C	D	E
8"	8"	12"	8"	5"	13"
9"	9"	12"	8"	5"	14"
10"	10"	12"	8"	5"	15"
12"	12"	16"	14"	5"	17"
14"	14"	17"	14"	10"	19"
16"	16"	18"	14"	10"	21"
18"	18"	21"	14"	10"	23"
20"	20"	26"	14"	10"	25"
22"	22"	30"	14"	10"	27"

Side View



Top View



NOTE: WELD ALL CORNERS ON BOTTOM INSIDE THE PLENUM!!!!

Industrial Air Quality	
90 Mosswood Blvd Suite 100	
P# 919-562-7181 F# 919-562-7182	
Project: Absorbent Plenum Box	
Date: 10/07/08	
Revision: update TF series	
Rev: 1	Drawn by: RAV