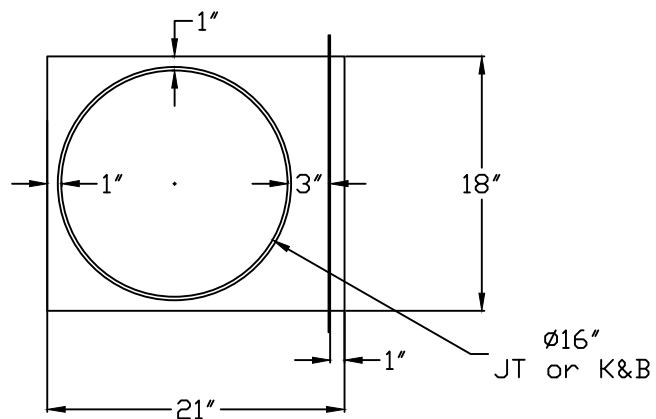


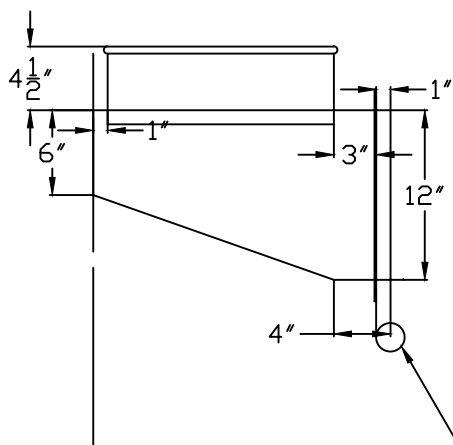
16" Plenum Box For A*Smoke 40 (JT or K&B)

TOP VIEW

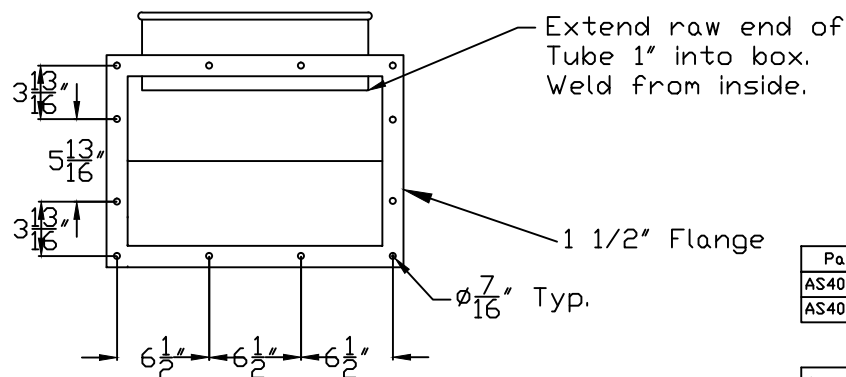


- NOTES:
 A) MATERIAL: 18 GA. GALV.
 B) ALL SEAMS WELDED
 C) Use standard bolt hole pattern with 7/16" Holes

SIDE VIEW



END VIEW



Part No:
AS40-16-JT-PB
AS40-16-KB-PB

Avani Environmental Intl.
 95 Cypress Drive
 Youngsville, NC 27596
 P# 919-570-2862 F# 919-570-2863

Avani

Project: Absolent Plenum Boxes	
Drawing: AS40-16-PB	
Date: 4/9/15	Drawn by: WWB
Sheet No: 1 of 1	Rev.: A