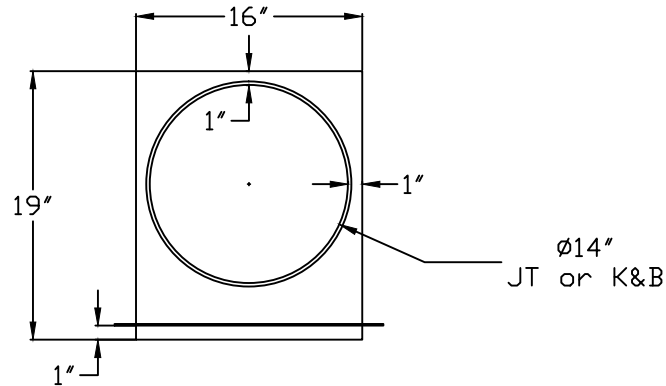


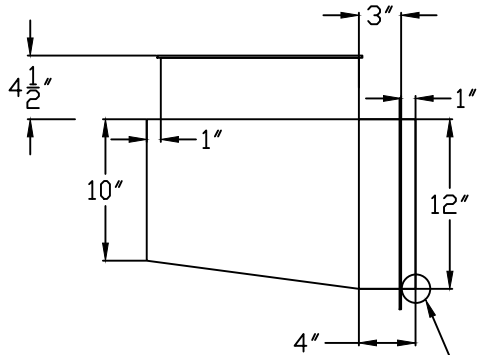
14" Plenum Box
For A*Mist 40TF
(JT or K&B)

TOP VIEW

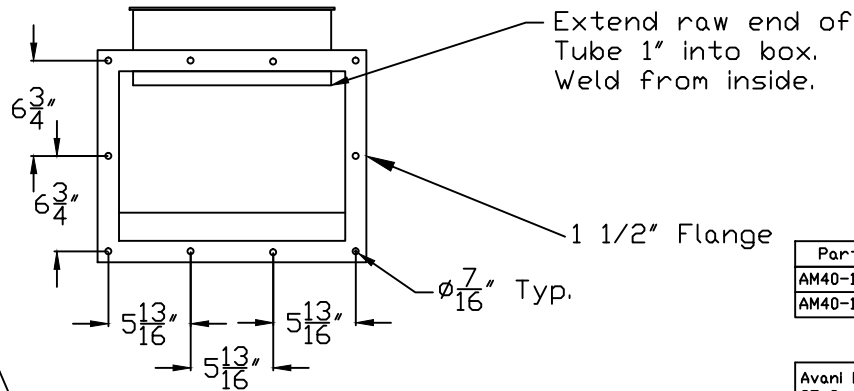


- NOTES:
 A) MATERIAL: 18 GA. GALV.
 B) ALL SEAMS WELDED
 C) Use standard bolt hole pattern with 7/16" Holes

SIDE VIEW



END VIEW



NOTE: WELD ALL CORNERS ON BOTTOM INSIDE THE PLENUM!!!!

Part No:
AM40-14-JT-PB
AM40-14-KB-PB

Avani Environmental Intl.
 95 Cypress Drive
 Youngsville, NC 27596
 P# 919-570-2862 F# 919-570-2863

Avani

Project: Absolent Plenum, Boxes	
Drawing: AM40-14-PB	
Date: 4/9/15	Drawn by: WWB
Sheet No: 1 of 1	Rev.: A