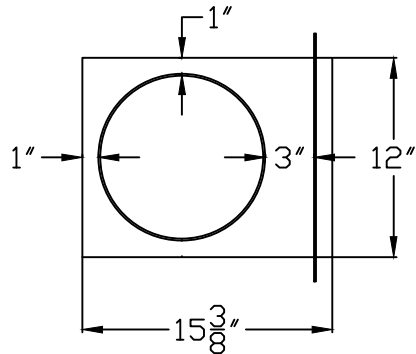


10" Plenum Box For A*Mist 20 (JT or K&B)

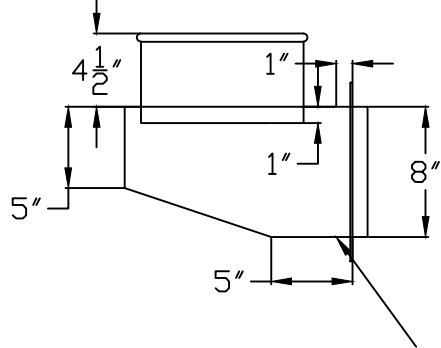
TOP VIEW



NOTES:

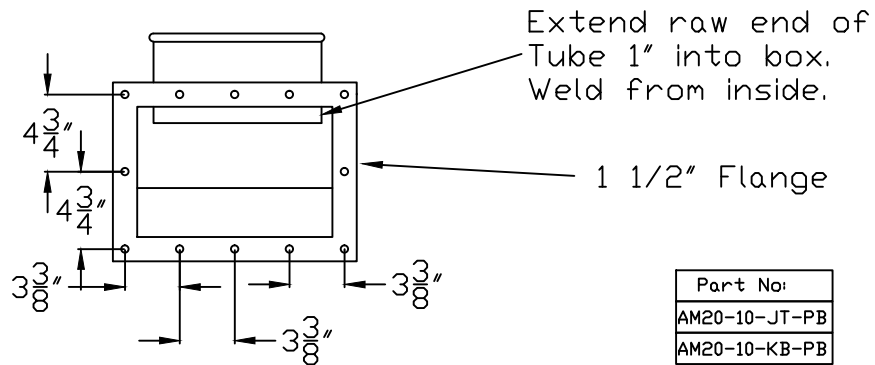
- A) MATERIAL: 18 GA. GALV.
- B) ALL SEAMS WELDED
- C) Use standard bolt hole pattern with 7/16" Holes

SIDE VIEW



NOTE: WELD ALL CORNERS ON BOTTOM
INSIDE THE PLENUM!!!!!!

END VIEW



Part No:
AM20-10-JT-PB
AM20-10-KB-PB

Avani Environmental
95 Cypress Drive
Youngsville, NC 27596
P# 919-570-2862 F# 919-570-2863

Avani

Project: Absolent Plnum Boxes	
Drawing: AM20-10-PB	
Date: 4/22/15	Drawn by: DJT
Sheet No: 1 of 1	Rev.: A