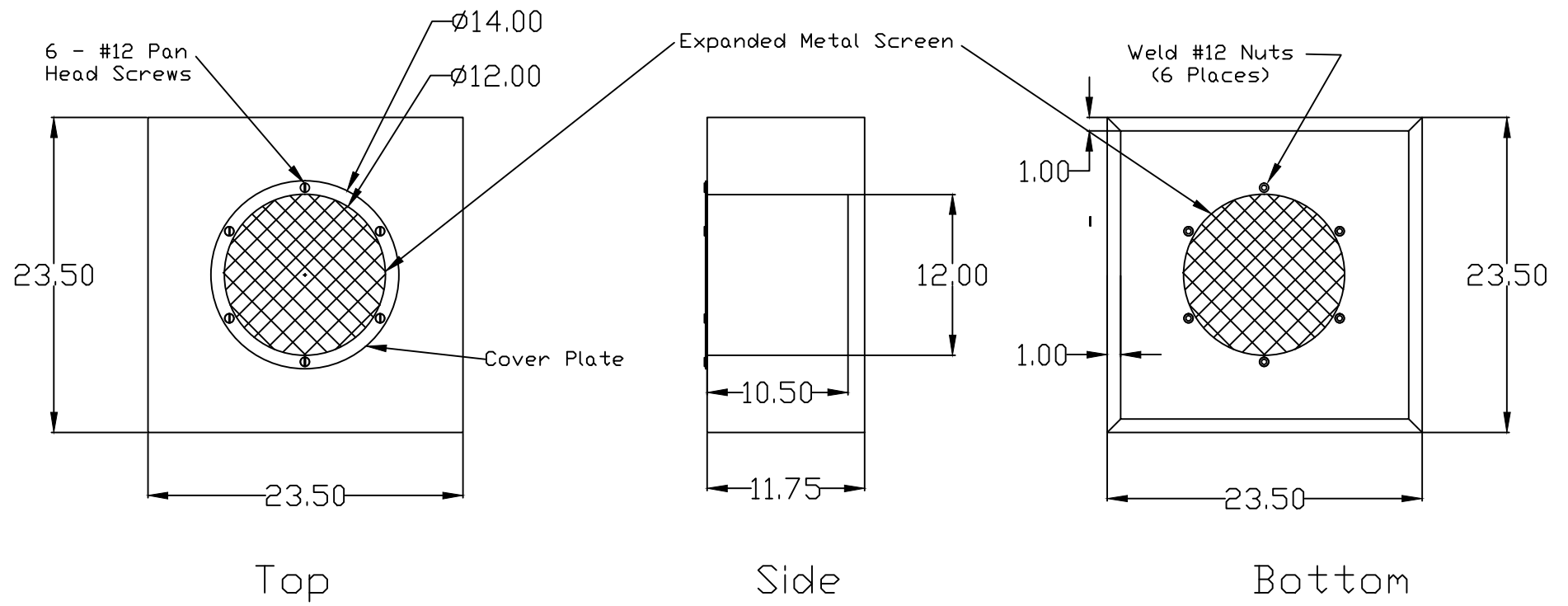


ODF-1000 Filter Housing With Mist Stop Media



Notes:

- 1) 18Ga Aluminized Sheet Metal
- 2) Box is open on bottom with 1" lip all around
- 3) 12" Tube needs to be sealed completely

Avani Environmental Intl. 95 Cypress Drive Youngsville, NC 27596 P# 919-570-2862 F# 919-570-2863		Avani
Project: Kimre Filter Housing		
Drawing: ODF Filter Housing		
Date: 6/13/13		Drawn by: WWB
Sheet No: 1		Rev.: 0