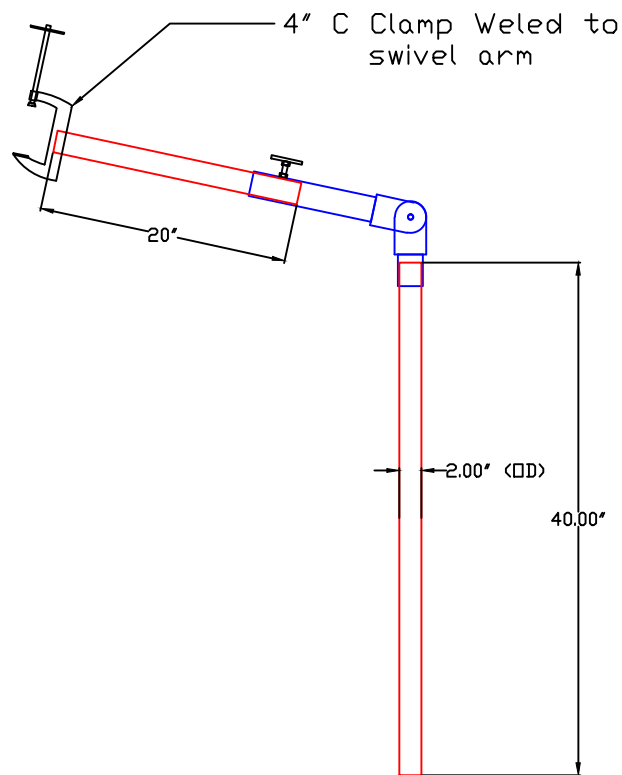


# "C" Clamp Positioner For use with Welding Booth Table



Avani Environmental  
95 Cypress Drive  
Youngsville, NC 27596  
P# 919-570-2862 F# 919-570-2863

**Avani**

Project: Free Standing Positioner

Drawing: For Welding Booth Table

Date: 8/2/13 Drawn by: WWB

Sheet No: 1 of 3

Rev.: 0