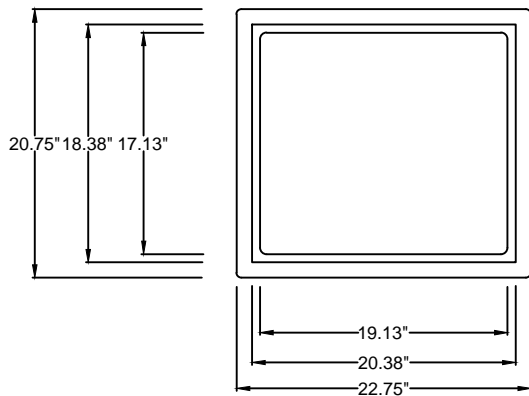
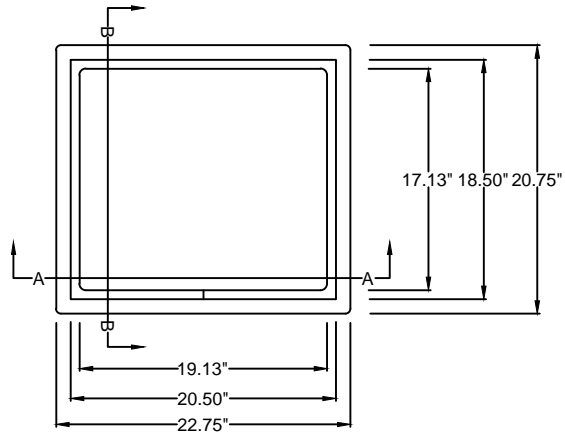


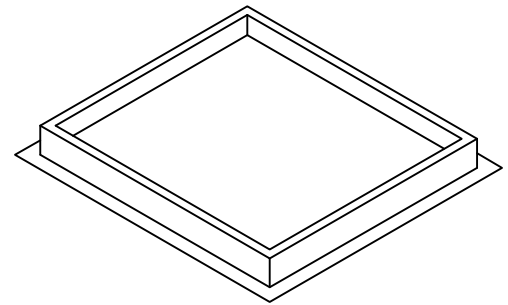
External Mount HEPA Cage



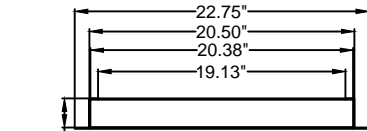
Bottom



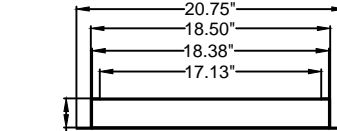
Top



Isometric View



Section A-A



Section B-B

Avani Environmental Intl.
95 Cypress Drive
Youngsville, NC 27596
P# 919-570-2862 F# 919-570-2863

Avani

Project: External Mount HEPA Cage

Drawing: Part Drawing

Date: 6/14/13

Drawn by: MDT

Sheet No: 1 of 1

Rev.: 0