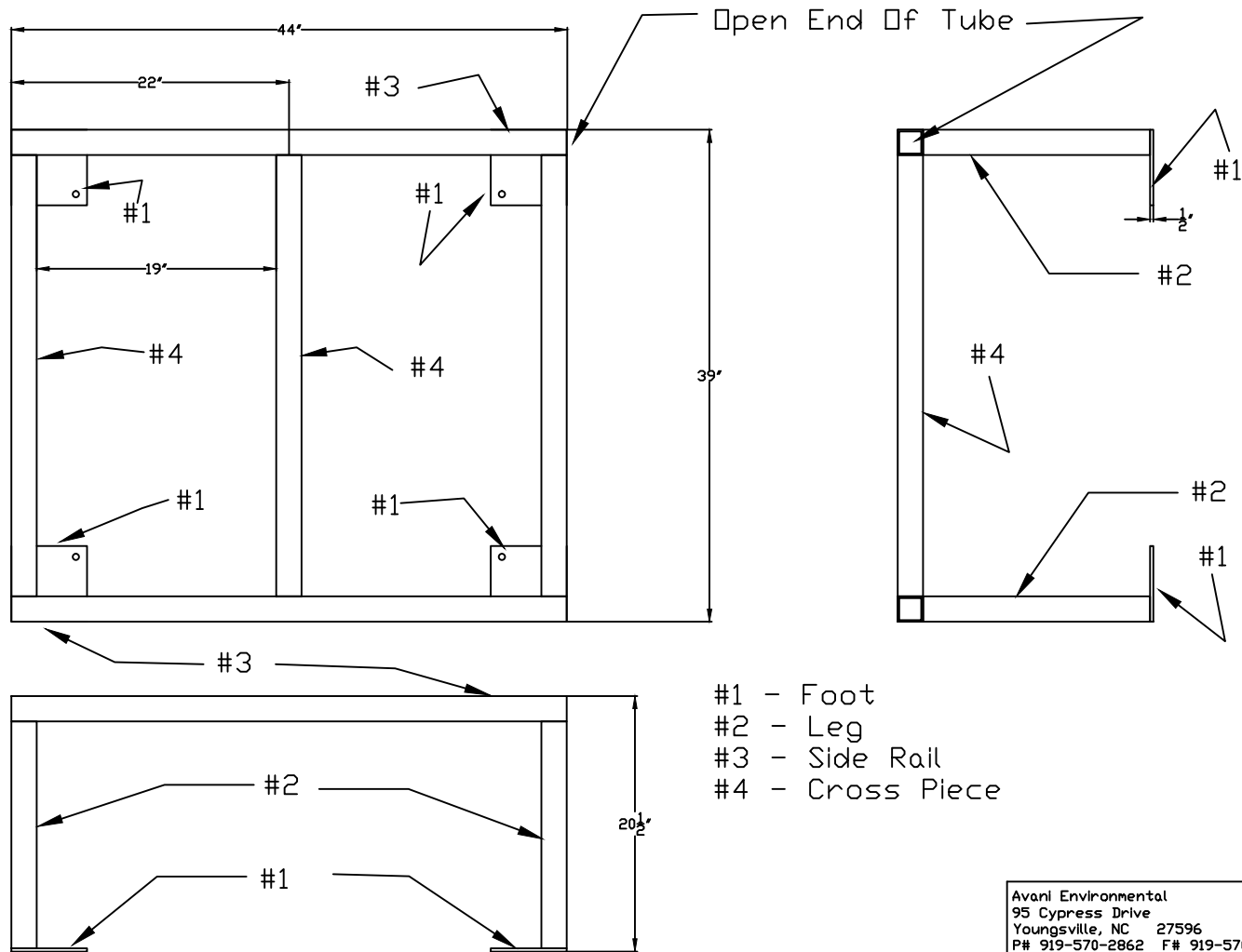


DDR-3000 Stand Assembly



- #1 - Foot
- #2 - Leg
- #3 - Side Rail
- #4 - Cross Piece

Avani Environmental 95 Cypress Drive Youngsville, NC 27596 P# 919-570-2862 F# 919-570-2863		Avani
Project: DDR-3000 Stand		
Drawing: Assembly		
Date: 10/24/11	Drawn by: WWB	
Sheet No: 2 of 2	Rev: 0	