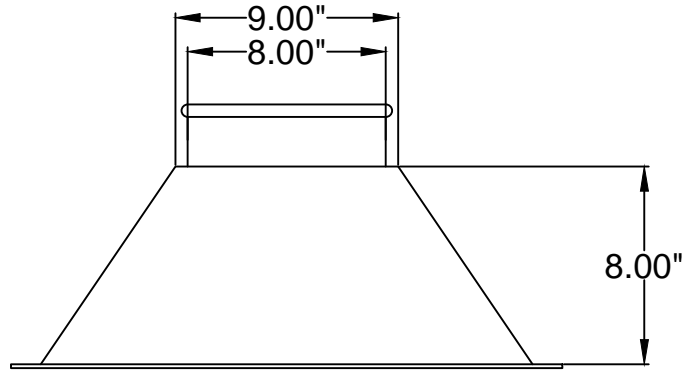
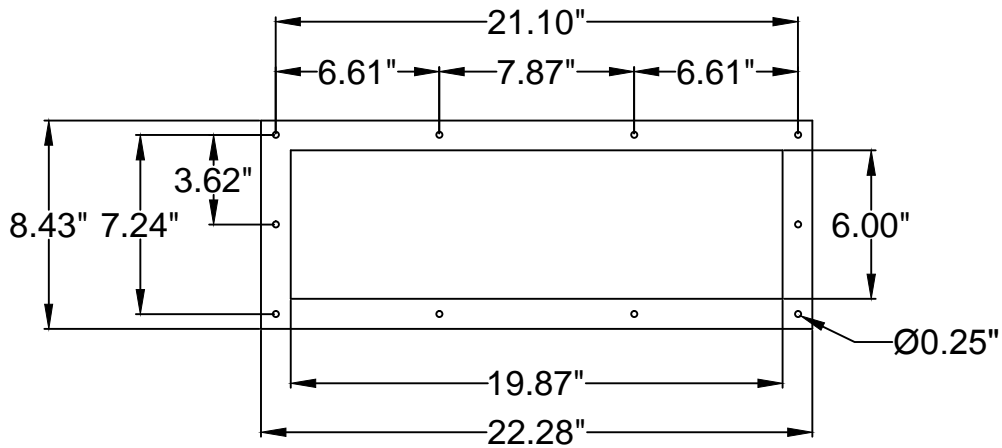


# WB-5000 Booth Connection



Side View



Flange View

Avani Environmental Intl. Inc.  
95 Cypress Drive  
Youngsville, NC 27596  
P# 919-570-2862 F# 919-570-2863

**Avani**

Project: WB-5000 Booth Connection

Drawing:

Date:

Drawn by: MDT

Sheet No: 1 OF 1

Rev 0