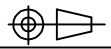


DO NOT SCALE

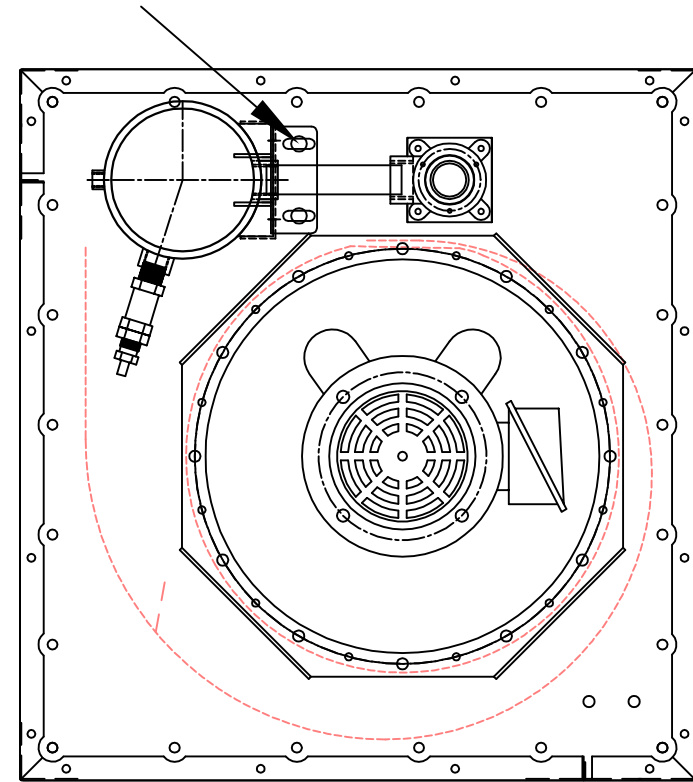
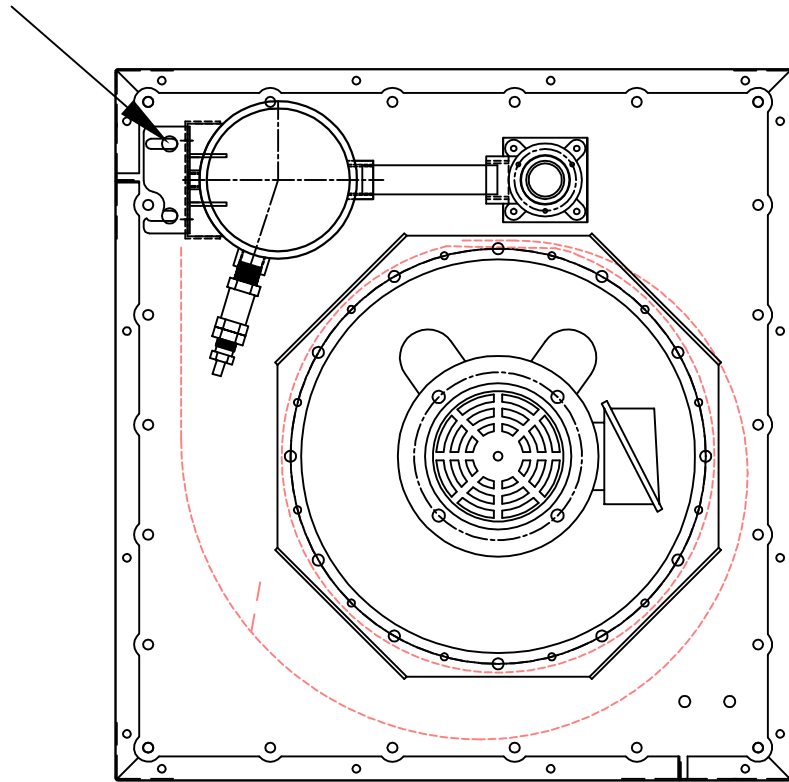
IF IN DOUBT ASK



Revisions			
Rev	Description	Date	Approved

current

proposed change



AVANI ENVIRONMENTAL INTL. INC. Sales Department
 95 Cypress Drive (919) 570-2862
 Youngsville, NC 27596 info@avanienvironmental.com

Drawn by:	Date	Name	Part Number:
Checked by:	2012-05-30	***	**

The drawings, AutoCAD, 3-D Models, and specifications are the property of Avani Environmental Intl. Inc. (AE) and may not be reproduced, distributed, modified, or otherwise used, except provided herein, without the express written permission of AE.

Title: current and proposed SPC-2000		
Size A	Scale 1 = 22	Drawing Number: A02-05-PS-150