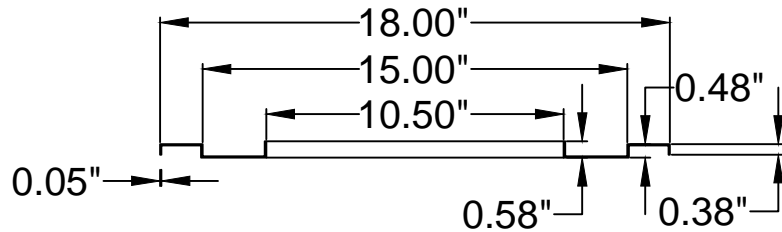
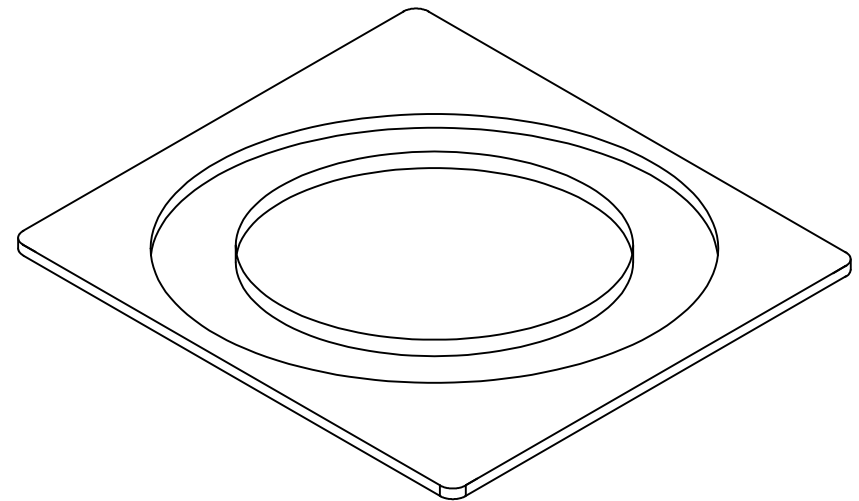


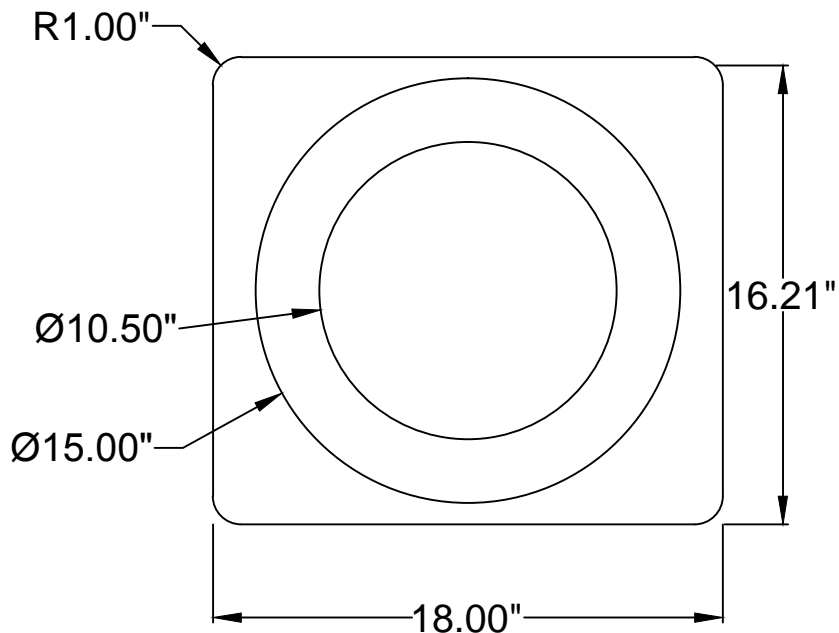
# 15" Filter Flange Open Top



Side View



Isometric View



Top View

Avani Environmental Intl.  
 95 Cypress Drive  
 Youngsville, NC 27596  
 P# 919-570-2862 F# 919-570-2863

**Avani**

Project: 15" Filter Flange

Drawing: Flange Drawing

Date: 7/24/2013

Drawn by: MDT

Sheet No: 1 of 1