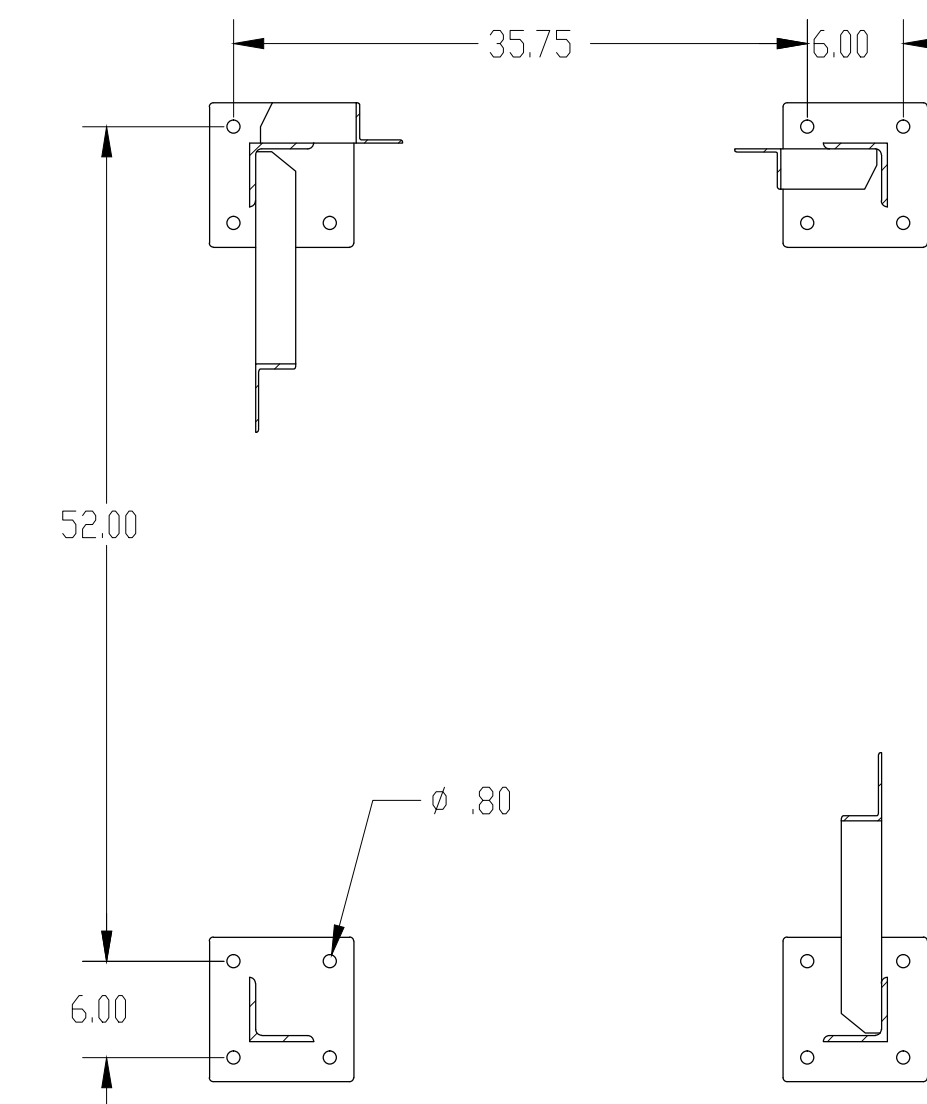


SECTION A-A



SECTION B-B

		CUT / SAW / SHEAR	X	TOLERANCES UNLESS SPECIFIED	Avani Environmental Intl, Inc. 95 Cypress Drive Younsville, NC 27596 919-570-2862 TITLE C3-12 MATERIAL WELDED PART LOC.
		PUNCH / DRILL	X	ANGLES +/- 1°	
		FORM	X	DECIMAL .00 +/- .02 .000 +/- .000	
		WELD	X	FRACTIONS +/- 1/16	
		PAINT	X	WELDED PART LOC. $< 6" = +/- 1/8"$ $> 6" = +/- 1/8"$	
12-09-10	X	X	ISSUE	A	SCALE 1:12
DATE	BY	ECOH	DESCRIPTION	REV	SHEET 1 OF 1
					DRAWING NUMBER C3-12 ASSY