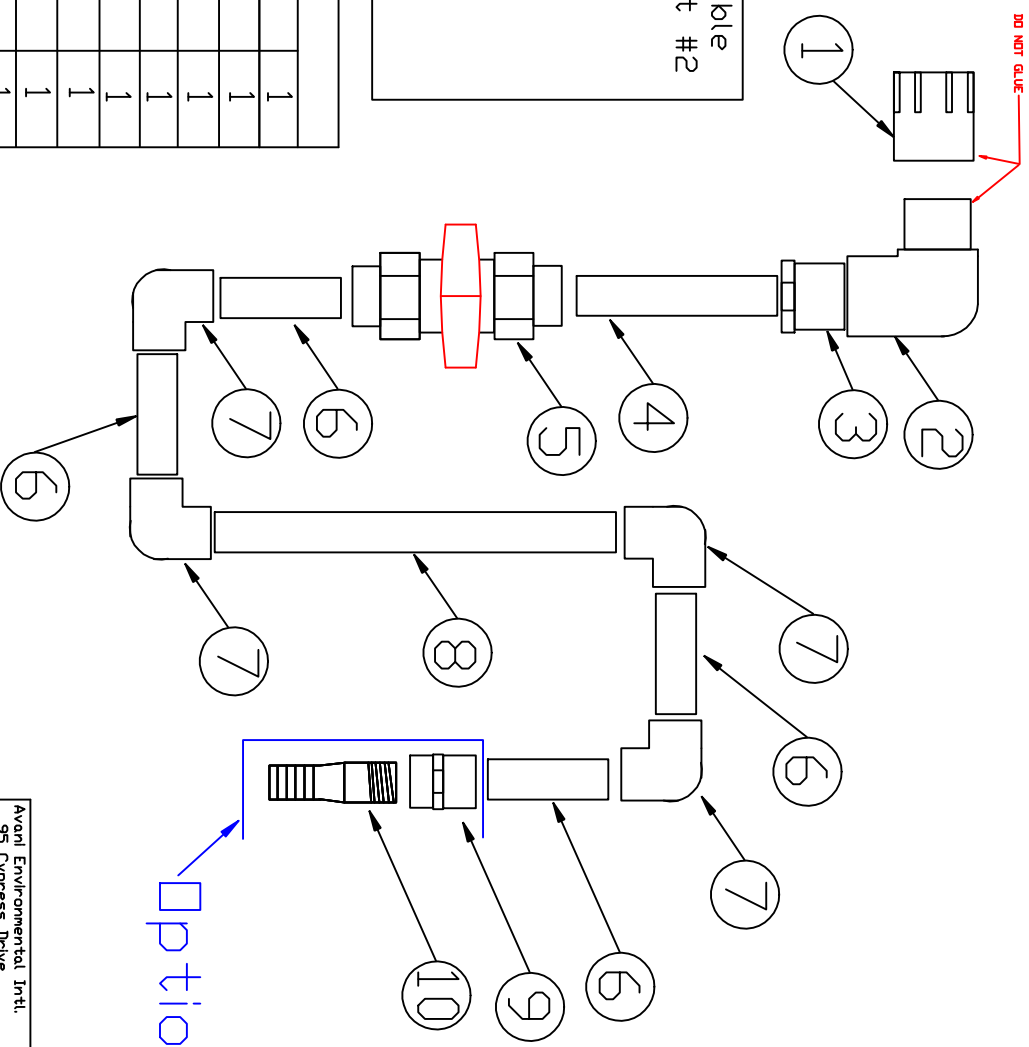
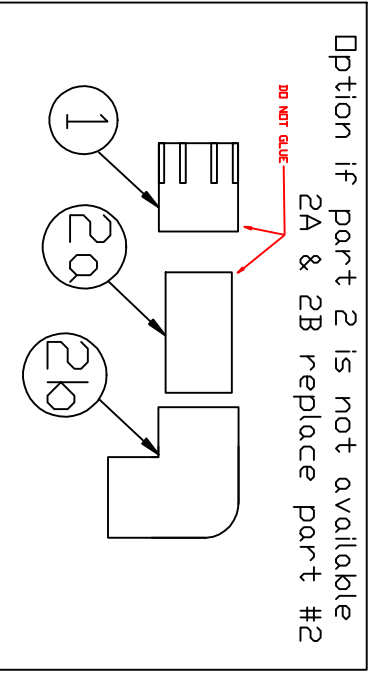


3/4" PVC P-Trap For DDF's & DDR's



Parts List

1	1.25" Slip X 1.25" FPT Adapter	1
2	1.25" Elbow (Spigot X Socket)	1
2a	1.25" PVC Pipe 3" Long	1
2b	1.25" Elbow (Slip X Slip)	1
3	1.25" Slip X .75" Slip Bushing	1
4	.75" PVC Pipe 5" Long	1
5	.75" PVC Union End Ballvalve	1
6	.75" PVC Pipe 3" Long	1
7	.75" PVC 90° Elbow	4
8	.75" PVC Pipe 10" Long	1
9	.75" Slip X .75" FPT Adapter	1
10	.75" Hose Bib	1

Avani Environmental Intl.
 95 Cypress Drive
 Youngsville, NC 27596
 P# 919-570-2862 F# 919-570-2863

Avani

Project: PVC P-Traps
 Drawing: For DDF's
 Date: 08/07/18 Drawn by: DJJ
 Sheet No: 1 of 1