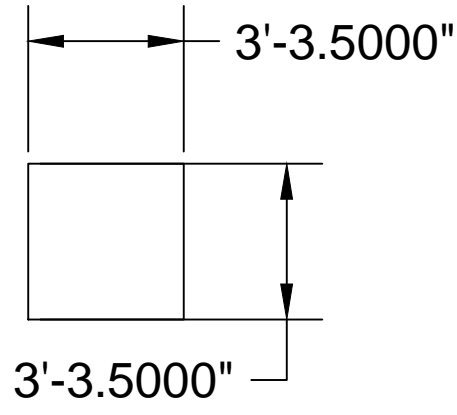
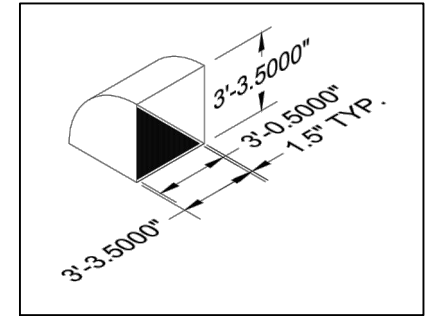


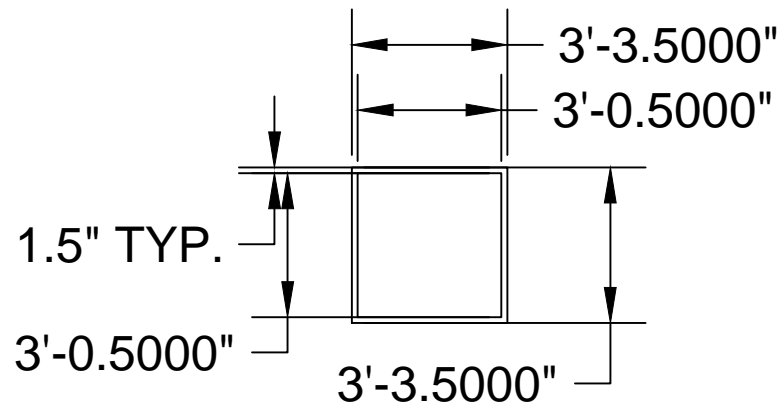
Side View



Top View



Iso View



Bottom View

PRELIMINARY

This product has not been tested for seismic calculations.

Any Customer requested, or caused changes or deviations from the approved drawing that effect T&M will require a change order.

Avani Environmental Intl. Inc.
95 Cypress Drive
Youngsville, NC 27596
P# 919-570-2862 F# 919-570-2863

Avani

Project: MacLean Fogg/Metform

Drawing: Exhaust Air Diverter

Date: 6/9/15

Drawn by: DJT

Sheet No:

Rev A

Notes:

- 1)
- 2)
- 3)
- 4)