



DATA SHEET
Three-phase Induction Motor - Squirrel Cage

Customer : Absolent
Motor line : Multivoltage

Frame : 132S
Rated Output : 8,50 kW
Frequency : 60 Hz
Poles : 2 poles
Full load speed : 3530 rpm
Slip : 1,94 %
Voltage : 480 V
Full load current : 13,2 A
Locked rotor amps : 89,8 A
Locked rotor current (I_L/I_n) : 6,80
No load current : 4,80 A
Full load torque : 23,0 Nm
Locked rotor torque : 270 %
Breakdown torque : 300 %
Design : N
Insulation class : F
Temperature rise : 80 K
Locked rotor time : 11 s

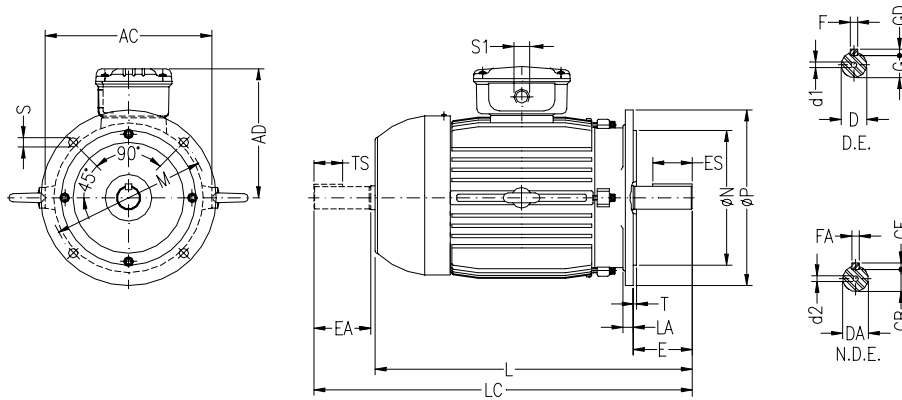
Service factor : 1,00
Duty cycle : S1
Ambient temperature : 40 °C
Altitude : 1000 m.a.s.l
Degree of protection : IP55
Aprox. weight : 66,5 kg
Moment of inertia : 0,0243 kgm²
Noise level : 68 dB(A)

	D.E.	N.D.E.
Bearings	6308-ZZ	6207-ZZ
Regreasing int.	---	---
Grease amount	---	---

Performance under load		
Load	cos ϕ	Efficiency(%)
100%	0,87	89,0
75%	0,84	88,0
50%	0,76	86,0

Note:

DRAWING AND DIMENSIONS - FF Flange



A	AA	AB	AC	AD	B	BA	BB
---	---	---	270	207	---	---	---
C	CA	D	E	ES	F	G	GD
---	---	38k6	80	63	10	33	8
DA	EA	TS	FA	GB	GF	H	HA
28j6	60	45	8	24	7	---	---
HC	HD	K	L	LC	S1	d1	d2
---	---	---	452	519	2xM32x1.5	DM12	DM10
Flange	C	LA	M	N	P	T	S
FF-265	89	12	265	230	300	4	15
a	Holes						
45°	4						

Performed:
Thomas Crona

Checked: